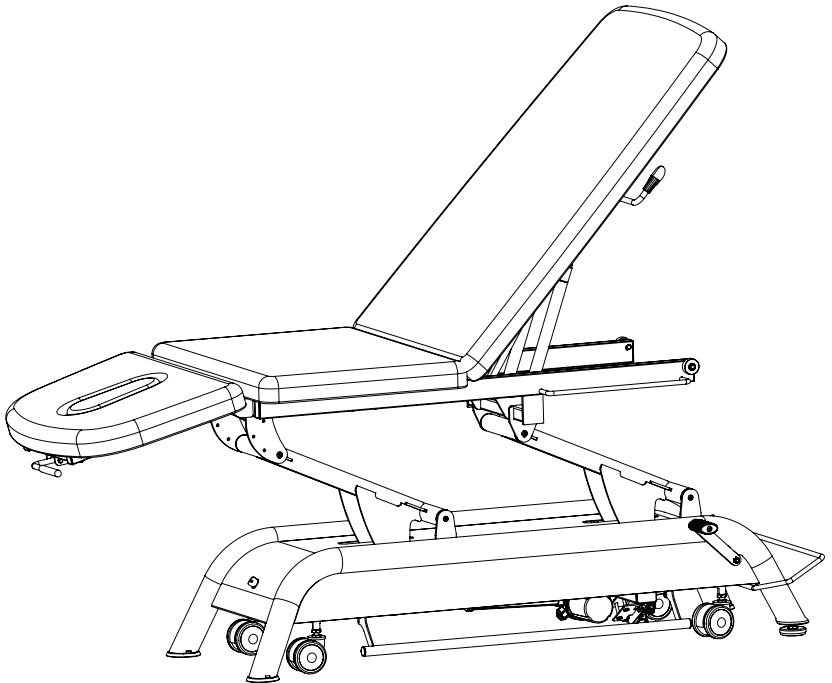


ATLAS POWER HI-LO

TREATMENT TABLE WITH 3-SECTION TOP

.....



USER GUIDE

SKU: ADI903-30-SERIES



Thank you for your purchase.



Viva Comfort maintains a strong practice of ongoing development of products and commercial research.



We recognize that starting and maintaining a medical practice is expensive. We'll help make the process cost-effective and elegant. Additionally, our team of specialists will ensure everything you need works as efficiently as possible, so you can effectively treat your clients.

Table of Contents

- 4 Specifications
- 5 Use Instructions
- 6 Height Control Operation
- 9 Installation of Guardrail
- 10** Safety Instructions
- 12** Warranty
- 13** Notes

Specifications

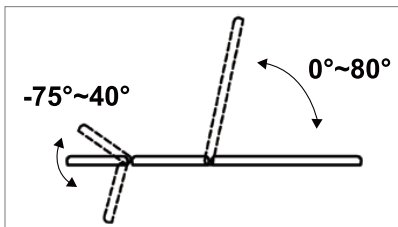
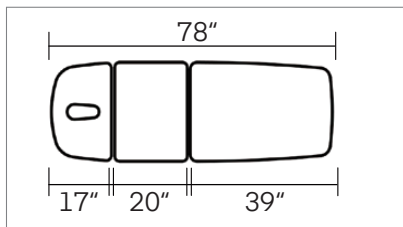
Product Dimensions: 78" L x 27" W x 21~37.5" H

Foam: 2" High Density Firm Foam

Pneumatic Headrest Adjusting: $-75^{\circ} \sim 40^{\circ}$

Pneumatic Backrest Adjusting: $0 \sim 80^{\circ}$

Weight Capacity: 440 lbs.



Recommended

Recommended Number of People Required for Assembly

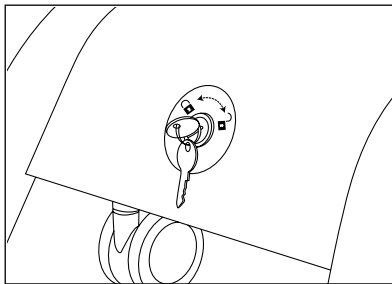


2 persons

Use Instructions

Power Connection:

- A. Remove the table from the packaging and position it on a flat surface.
- B. Connect the table's power cord plug to an outlet.
- C. Before each use, turn the safety lock to the **"ON"** position as shown to enable power connection.



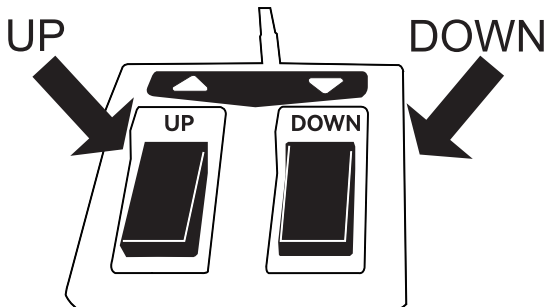
Reminder:

- A. The safety lock should only be installed by the original manufacturer and users are not allowed to install it privately.
- B. Please disconnect the power supply and remove the key when the designated doctor or operator leaves.

Height Control Operation

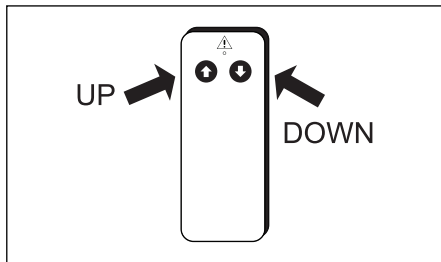
Foot Pedal Control:

- A. Operate the foot control to raise or lower the table height as shown.



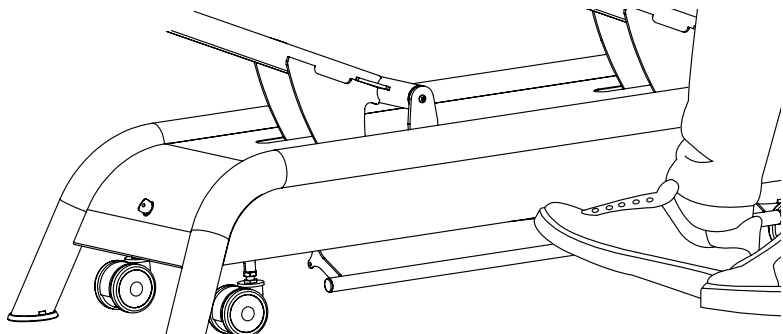
Hand Control:

- A. Operate the hand control to raise or lower the table height as shown.



Hands Free Foot Control:

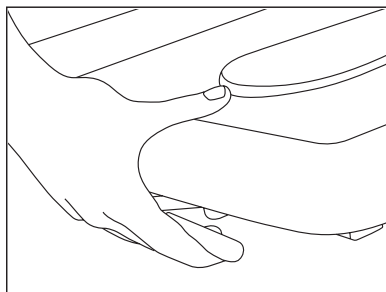
- A. The Hands Free Control System can be used to control and adjust the height of the table. Pressing the crossbar down will raise the height of the table and lifting the crossbar up will lower the height of the bed.

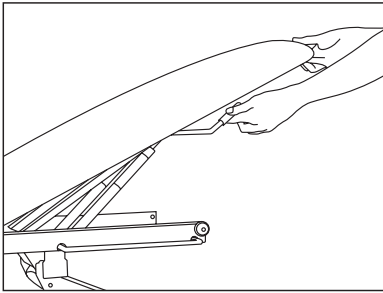


Use Instruction

Headrest Angle Adjusting:

Hold the handle under the headrest section, raise or lower it to the desired angle, and then release it.





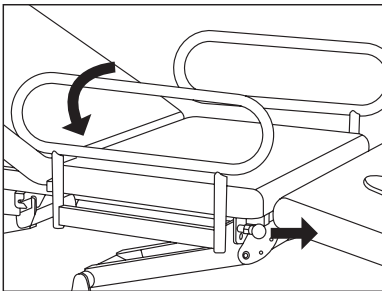
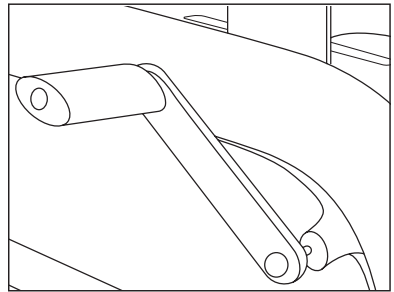
Leg-rest Angle Adjusting:

Pull up either lever with one hand under the leg-rest table section while holding the table top with the other. Raise or lower it to the desired angle, then release it.

Stand-By Castor System

Table Movement

Press the rod down with your foot to release the four castors, then move the table to the flat surface. **Be careful with your feet during the operation.**



Rotating Metal Guardrail Optional Accessory

Lower the guardrail: Pull out the pin at the front end of the metal guardrail and flip it down until it is perpendicular to the bed surface. Insert the pin back to lock the metal guardrail.

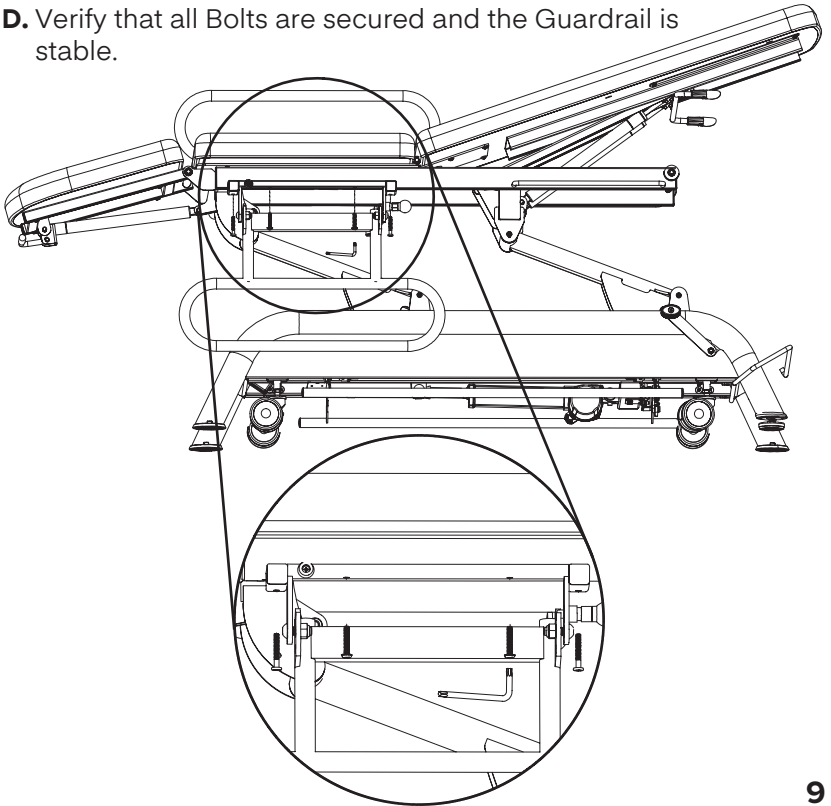
Operating the guardrail: Pull out the pin at the front end of the metal guardrail, flip the guardrail upwards until it is perpendicular to the bed surface, and insert the pin back to lock the metal guardrail.

Installation of Guardrail:

Optional Accessory

Step 1:

- A.** Align the Guardrail Brackets with the holes on the tables' frame.
- B.** Insert the provided two 32 mm Bolts into the middle of Guardrail frame, as pictured, and the two 42 mm Bolts into the outer holes of the Guardrail.
- C.** Use the included Allen Key to tighten each Bolt firmly.
- D.** Verify that all Bolts are secured and the Guardrail is stable.



Safety Instructions:

This treatment table complies with safety regulations. Improper use may cause damage to the human body, object, and product. Please read the operating instructions carefully before use.

The instructions contain important information about safe operation and correct use, intended to protect the human body from injury and avoid product damage. If the following conditions occur during use, the manufacturer will not assume warranty or claim liability for personal injury, property damage, products, and other items.

- The user is under 18 years old.
- Use beyond the scope of product functionality.
- The patient has a physical or sensory impairment or low intelligence and lacks experience or relevant knowledge.
- Incorrect usage.
- Lifting objects that exceed the working load of the product.
- Moving and transporting using defective or ineffective protective devices.
- Unauthorized changes to the equipment structure.
- Continue to use the product after discovering structural damage.
- Improper maintenance.
- External disasters and force majeure.
- Expose the device to extremes of cold, heat, sun, and humidity.

Electrical Hazards:

- Replace the power cord immediately if damaged to avoid the risk of electric shock.
- Do not use the device on wet floors or in a humid environment. The ambient temperature should be kept between 10°C–30°C.
- Do not use the device in an environment where flammable or explosive gases or vapors exist.

Risk of Accidents:

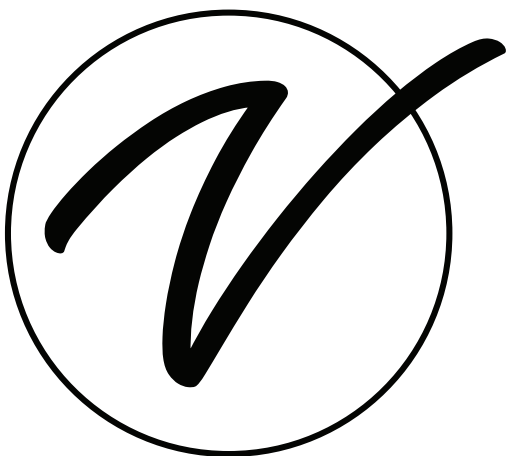
- Do not place any objects or bodies in the structure under any circumstances to avoid damage to objects or casualties when the device rises or collapses unexpectedly.
- Do not stand on the device to avoid falling or rollover.

Leather Care:

- To prevent the leather mattress cover from cracking, avoid humid environments, water on the bed surface, and cold or overheated settings.
- Wipe clean with a neutral detergent; wipe and dry thoroughly.
- Avoid contact between sharp or hard objects and the leather surface.

Warranty

1. Viva Comfort (the "Company" or "Tiger Companies") warrants to the purchaser that the product will be free from defects in workmanship and materials for a period of 3 years from the date of purchase. The warranty period is not extended if we repair, replace, exchange, or provide a refund for the product (as determined in our sole discretion). We may change the availability of this limited warranty at our discretion, but any changes will not be retroactive.
2. These warranties are not assignable or transferable to any other person, including, without limitation, any subsequent owner or other transferee of the product.
3. This Warranty does not apply to: (a) damage caused by misuse, tampering, abuse, neglect, or accident; (b) damage caused by improper installation, modification, or service; (c) alteration of the serial number; or (d) use that violates the instructions furnished by the Company will void this warranty.
4. The sole responsibility of the Company shall be limited to (a) the repair or replacement (in its sole discretion) of any component of the product which fails to conform to this; (b) a refund the purchase price of such product (in its sole discretion), at no cost to the purchaser for the period of the warranty, or (c) an exchange for a similar product, comparable in function and price.
5. Contact the Company directly at 1-(800)-805-1790 to obtain service under this warranty. If it becomes applicable to send a defective product to the Company, a Return Authorization Number must first be obtained from the Company. In order to obtain service under this warranty, purchaser may be required to provide the Company with the following items (a) proof of purchase, (b) photographs and or videos (of the damage, and (c) a written testimonial describing the defect.
6. Products shipped without prior Return Authorization and Return Authorization Number may not be accepted, and the Company will not be responsible for their disposition and/or cost of return to the owner.
7. The Company will not assume any responsibility for any loss or damage incurred in shipping and or delivery.
8. The product(s) must be returned within 14 calendar days of receiving the return authorization from the Company and must include the original proof of purchase for the warranty to be honored.
9. Any implied warranties that the purchaser may have are limited to the duration of the warranties described above. There are no further warranties that extend or apply beyond the face hereof, and the Company expressly disclaims and excludes any and all warranties of merchantability or fitness for a particular purpose. Some states do not allow limitations on how long an implied warranty lasts, so the above limitation may not apply to you.
10. THE REMEDIES DESCRIBED ABOVE ARE YOUR SOLE AND EXCLUSIVE REMEDIES AND THE COMPANY'S ENTIRE LIABILITY FOR ANY BREACH OF THIS LIMITED WARRANTY. OUR LIABILITY SHALL UNDER NO CIRCUMSTANCES EXCEED THE ACTUAL AMOUNT PAID BY YOU FOR THE DEFECTIVE PRODUCT, NOR SHALL WE UNDER ANY CIRCUMSTANCES BE LIABLE FOR ANY CONSEQUENTIAL, INCIDENTAL, SPECIAL OR PUNITIVE DAMAGES OR LOSSES, WHETHER DIRECT OR INDIRECT. SOME STATES DO NOT ALLOW THE EXCLUSION OR LIMITATIONS OF INCIDENTAL OR CONSEQUENTIAL DAMAGES, SO THE LIMITATION MAY NOT APPLY TO YOU.
11. This warranty gives you specific legal rights, and you may also have additional rights which vary from state to state.



SKU: ADI903-30-SERIES

© 2025 Viva Comfort

vivacomfort.com