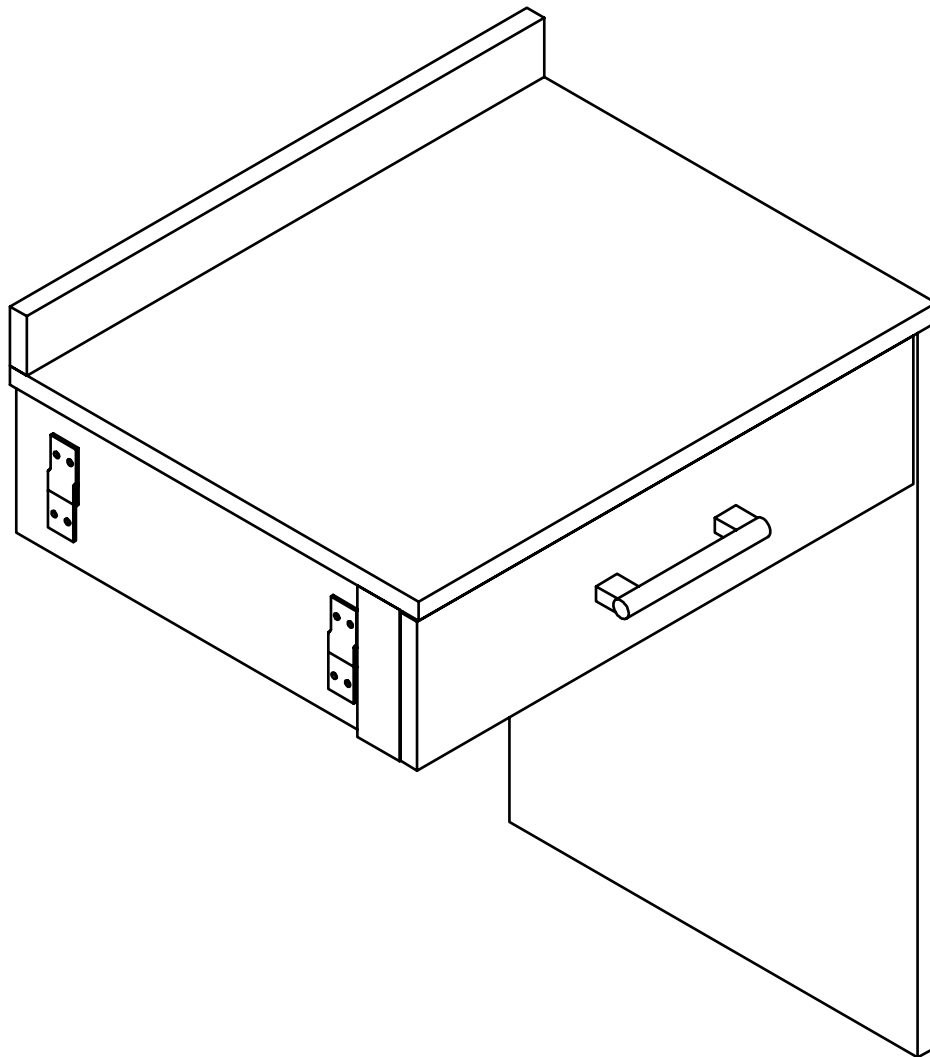


.....

SIDE DESK FOR BASE CABINETS

.....



USER GUIDE

SKU: ADIME902-SD-AO



Thank you for your purchase.



Viva Comfort maintains a strong practice of ongoing development of products and commercial research.

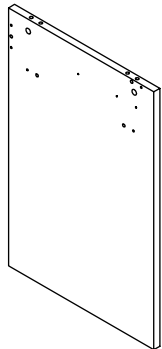
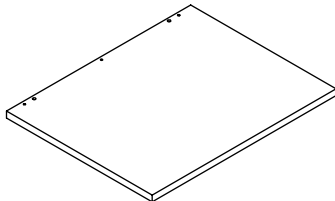
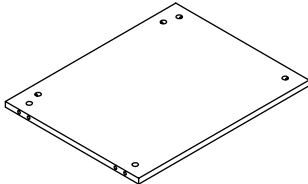
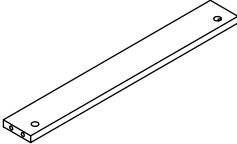
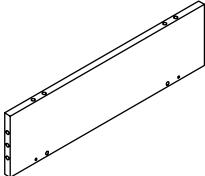
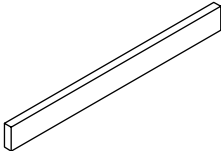
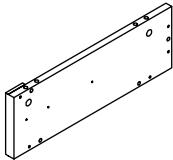
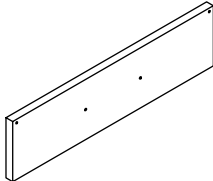
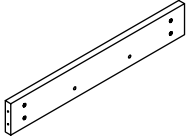
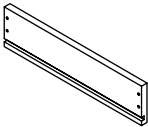
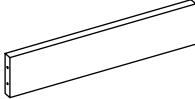
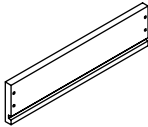
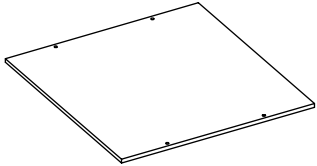


We recognize that starting and maintaining a medical practice is expensive. We'll help make the process cost-effective and elegant. Additionally, our team of specialists will ensure everything you need works as efficiently as possible, so you can effectively treat your clients.


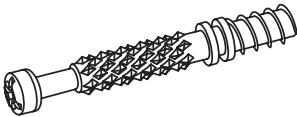
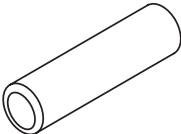
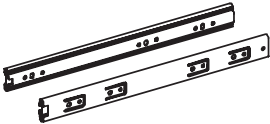
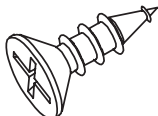
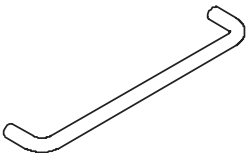

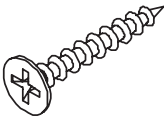
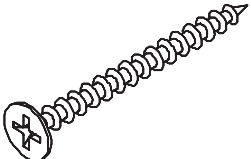


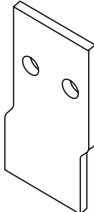
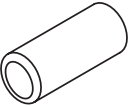
Table of Contents

- 2** Parts List
- 3** Tools Needed (But Not Included)
- 4** Hardware List
- 5** Assembly Instructions
- 17** Warranty

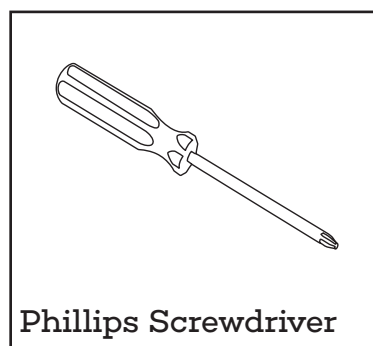
Parts List

<p>1</p>  <p>Right Panel</p>	<p>2</p>  <p>Top Panel</p>	<p>3</p>  <p>Bottom Panel</p>	<p>4</p>  <p>Top Front Rail</p>
<p>5</p>  <p>Back Panel</p>	<p>6</p>  <p>Top Filler</p>	<p>7</p>  <p>Left Panel</p>	<p>8</p>  <p>Drawer's Face</p>
<p>9</p>  <p>Drawer's Front</p>	<p>10</p>  <p>Drawer's Right Side</p>	<p>11</p>  <p>Drawer's Back</p>	<p>12</p>  <p>Drawer's Left Side</p>
<p>13</p>  <p>Drawer's Bottom</p>			

Hardware List

<p>A</p>  <p>Ø15*13mm Cam Lock (x16)</p>	<p>B</p>  <p>Ø8*42mm Cam Lock Bolt (x16)</p>	<p>C</p>  <p>Ø8x30mm Wooden Dowel (x16)</p>	<p>D</p>  <p>Ball Bearing Sliders (1 Set)</p>
<p>E</p>  <p>Ø4x15mm Wooden Screw (x10)</p>	<p>F</p>  <p>Handle</p>	<p>G</p>  <p>For Handle Ø4x22mm Screw (x2)</p>	<p>H</p>  <p>Ø4x30mm Wooden Screw (x11)</p>
<p>I</p>  <p>Ø4x40mm Wooden Screw (x8)</p>	<p>J</p>  <p>Sticker (x10)</p>	<p>K</p>  <p>Plastic Nail (x3)</p>	<p>L</p>  <p>Hanging Z Clip (x4)</p>
<p>M</p>  <p>Ø8x20 Wooden Dowel (x4)</p>			

Tools Needed (Not Included)



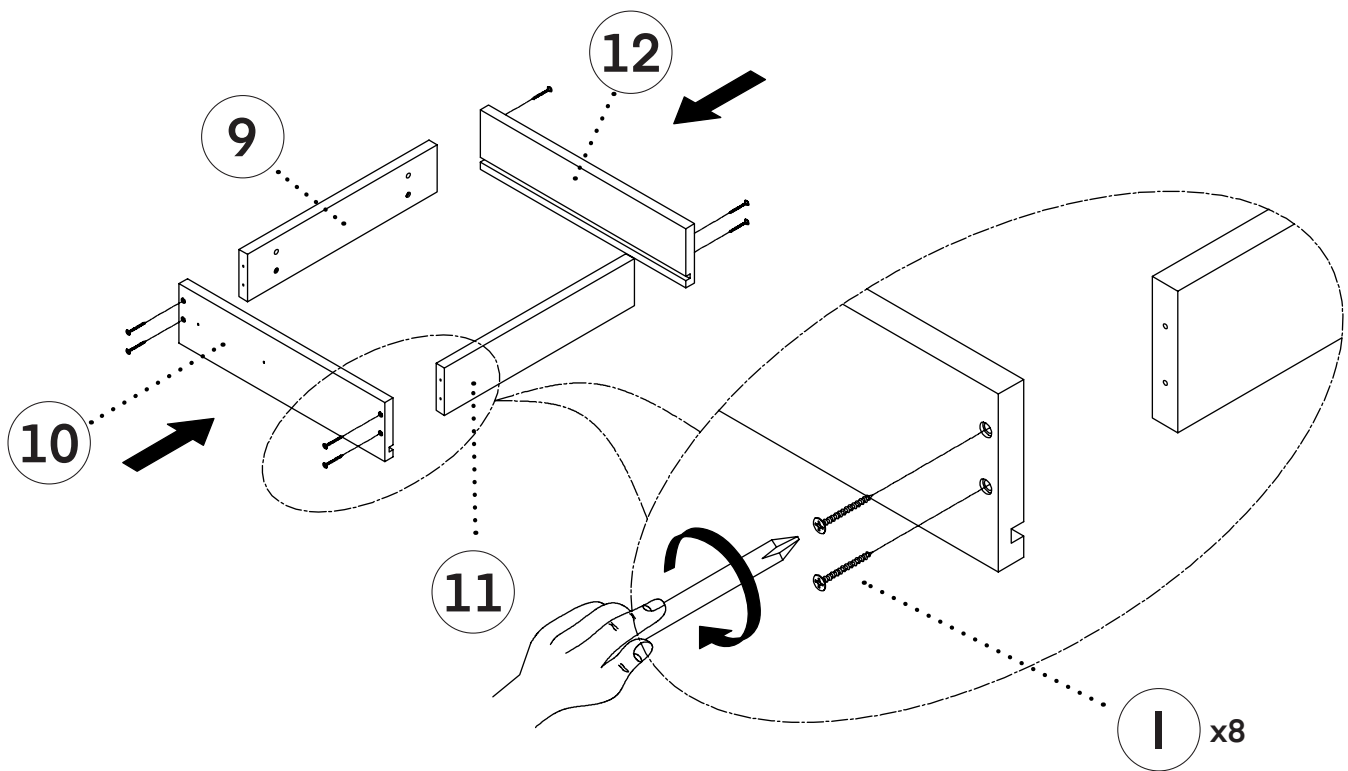
Assembly Instructions

NOTE:

- Before starting, ensure you have an open, clean area to assemble your cabinet.
- Ensure you have all the necessary parts and hardware listed above.
- We highly recommend hiring a professional contractor to assemble and install your cabinet(s).

Step 1:

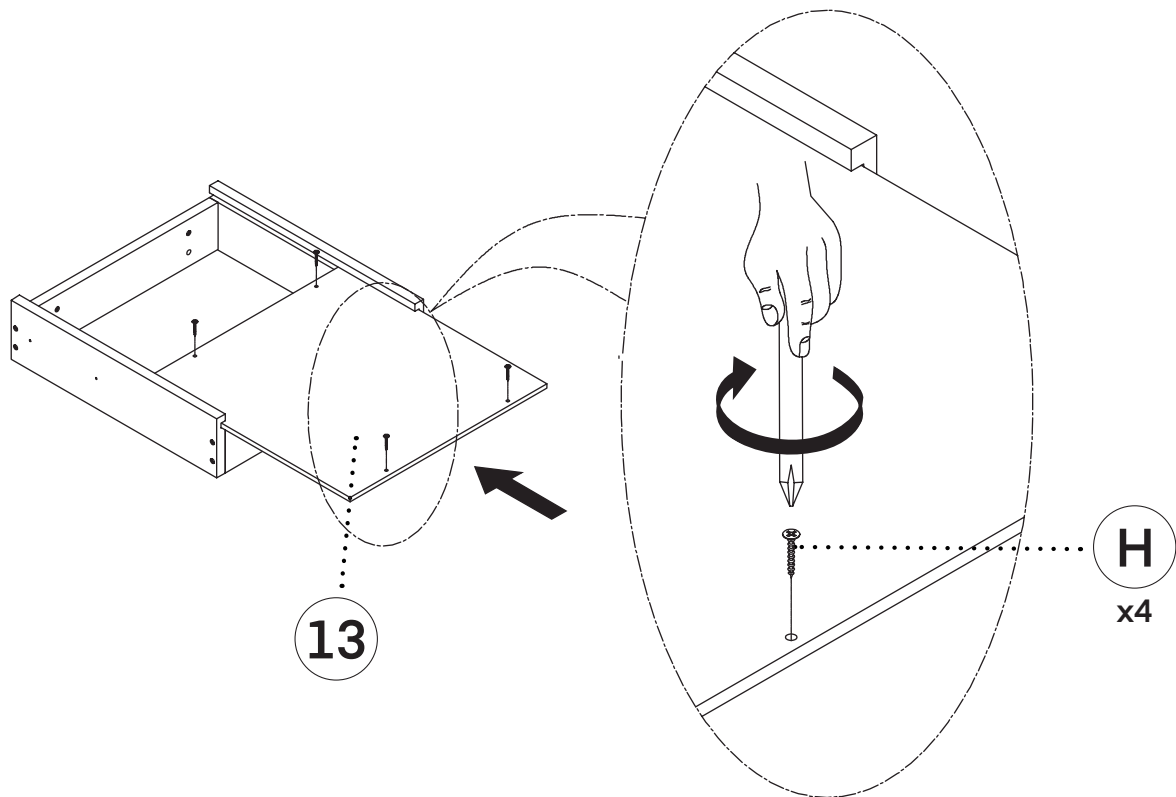
- A.** Assemble the Drawer's Left Side (12), and the Drawer's Right Side (10) to the Drawer's Front (9), and Drawer's Back (11) using a total of eight Ø4x40 mm Wooden Screws (I).
- B.** Secure using a Philips head screwdriver.



Step 2:

A. Assemble the Drawer's Bottom (13) using four Ø4x30 mm Wooden Screws (H), as pictured below.

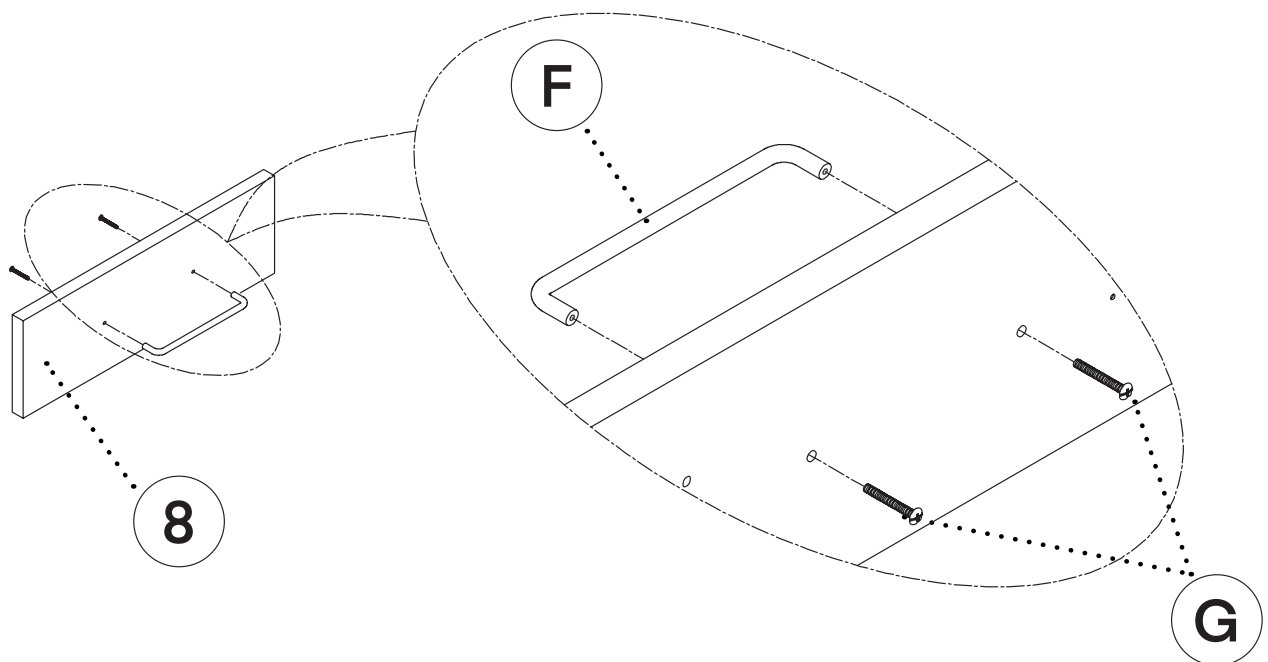
B. Secure using a Philips head screwdriver.



Step 3:

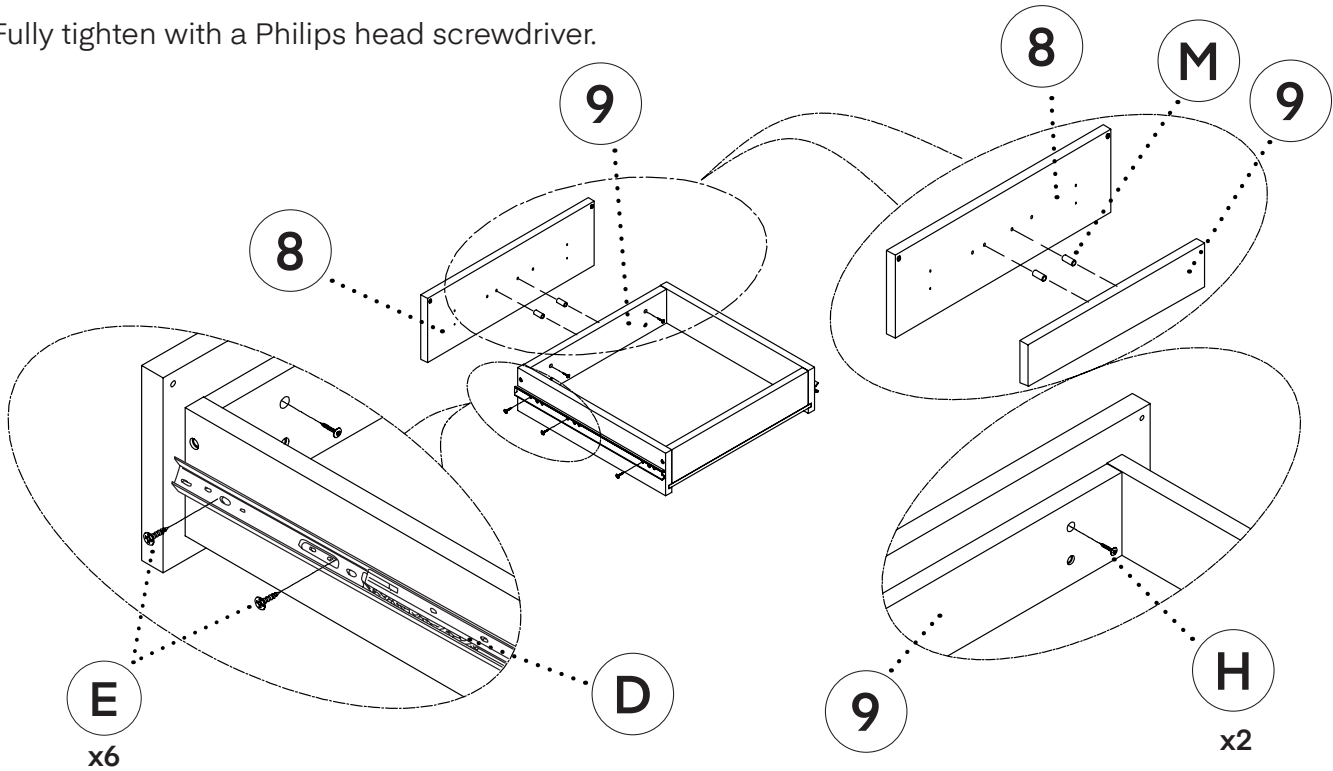
A. Assemble the Handle (F) to the Drawer's Face (8) using the two included Ø4x22mm Screws (G).

B. Fully tighten with a Philips head screwdriver.



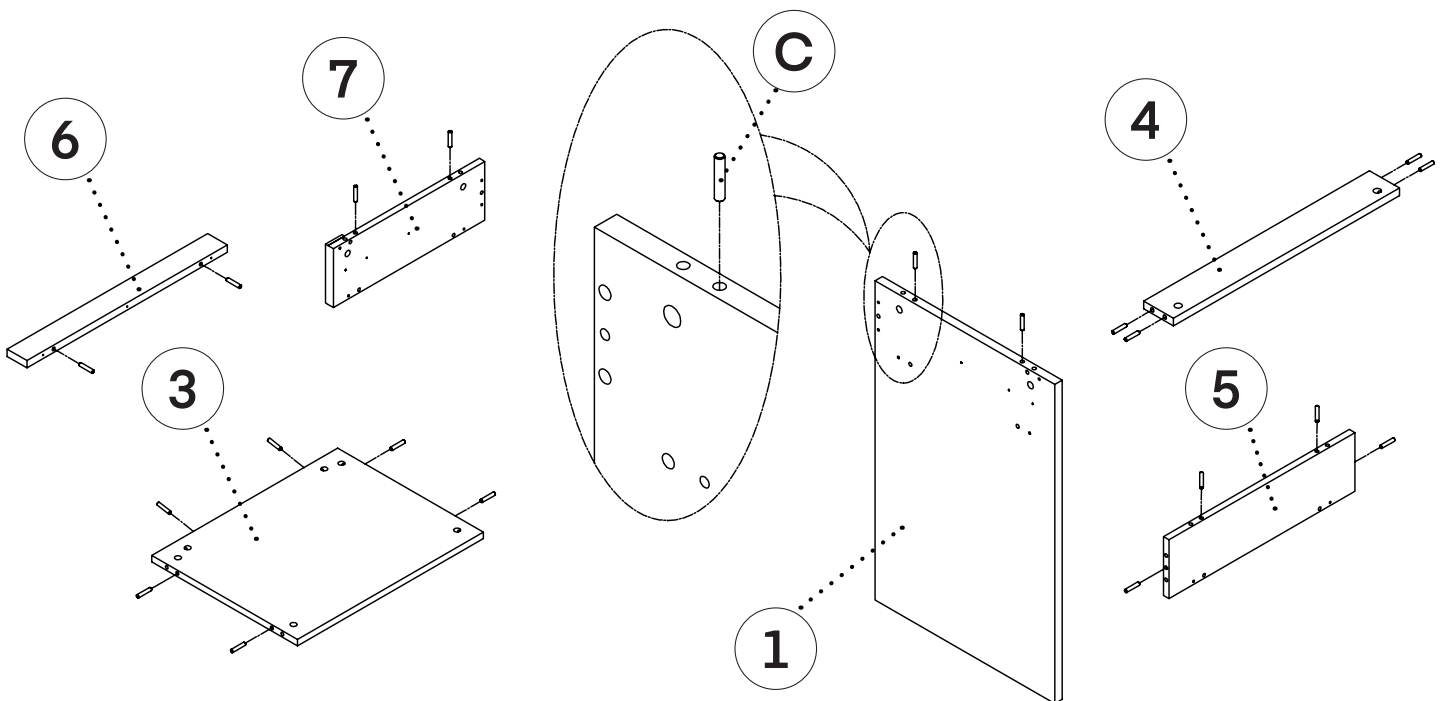
Step 4:

- A. Assemble the Ball Bearing Sliders (D) to the drawer using three $\text{\O}4 \times 15\text{mm}$ Wooden Screws (E) per slider.
- B. Assemble the Drawer's Front (9) to the Drawer's Face (8) by inserting two $\text{\O}4 \times 30\text{mm}$ Wooden Screws (H) and Wooden Dowel $\text{\O}8 \times 20\text{mm}$ (M).
- C. Fully tighten with a Philips head screwdriver.



Step 5:

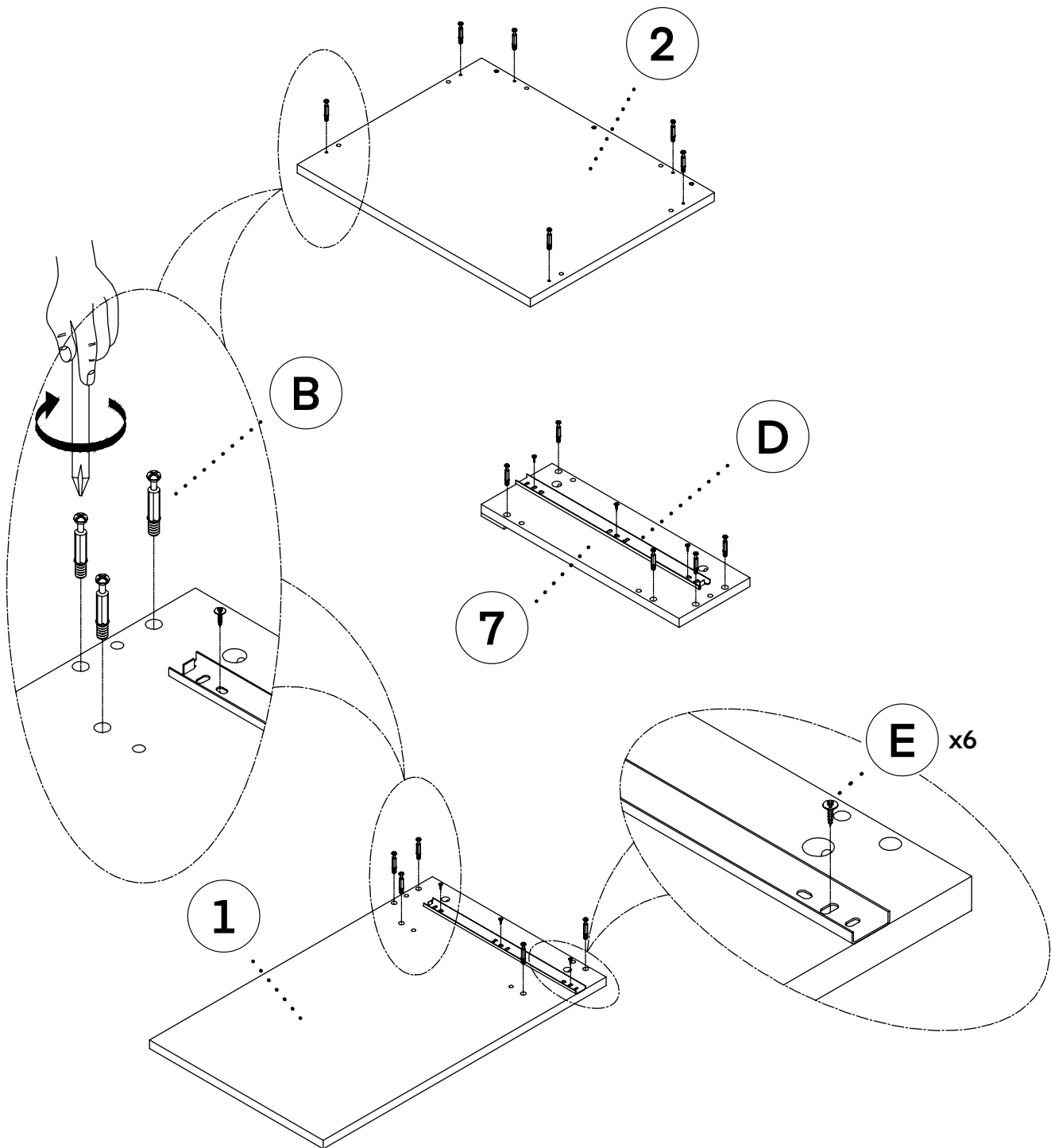
- A. Locate the following pieces: Wooden Dowel (C), Left Panel (7), Right Panel (1), Bottom Panel (3), Top Front Rail (4), Back Panel (5) and Top Filler (6).
- B. Insert two Wooden Dowels (C) into each edge of the Left Panel (7), Right Panel (1), Bottom Panel (3), Top Front Rail (4), Back Panel (5), and Top Filler (6).



Step 6:

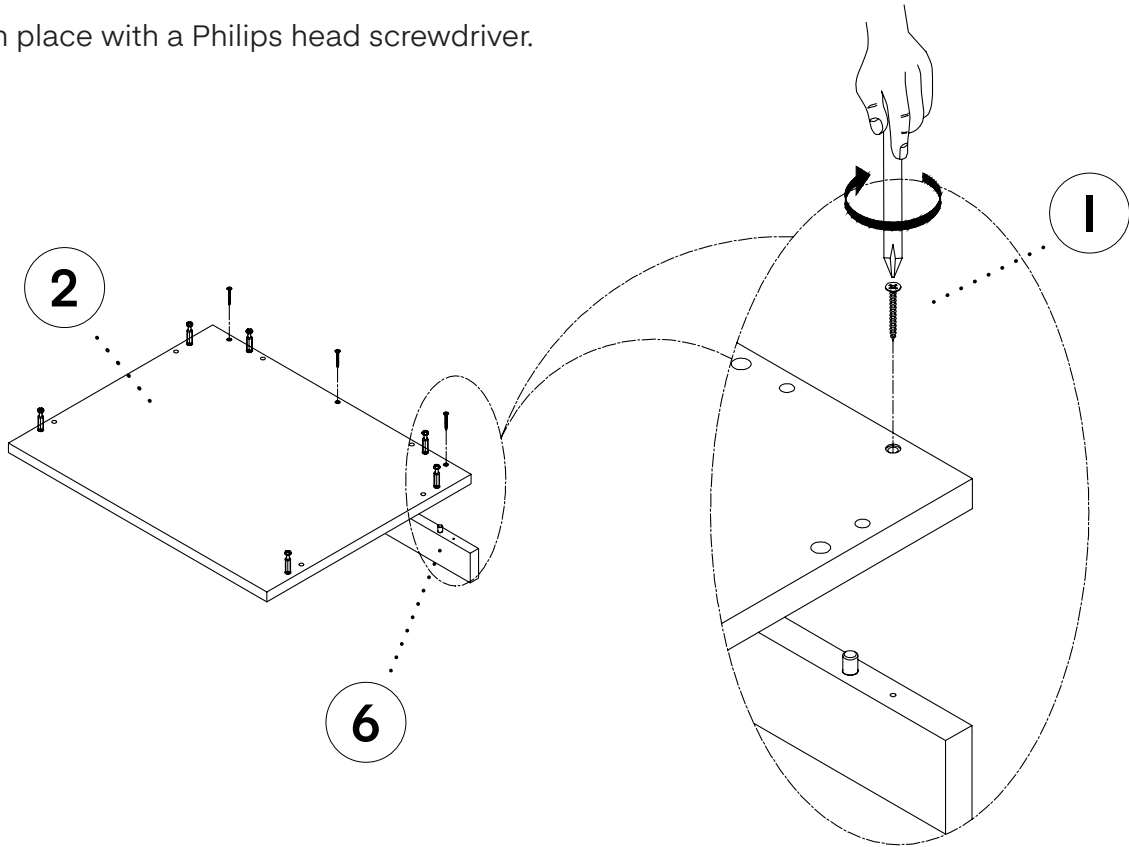
A. Insert $\text{Ø}8 \times 42\text{mm}$ Cam Lock Bolts (B) into the Left Panel (7), Right Panel (1), and Top Panel (2), as pictured.

B. Secure in place with a Philips head screwdriver.



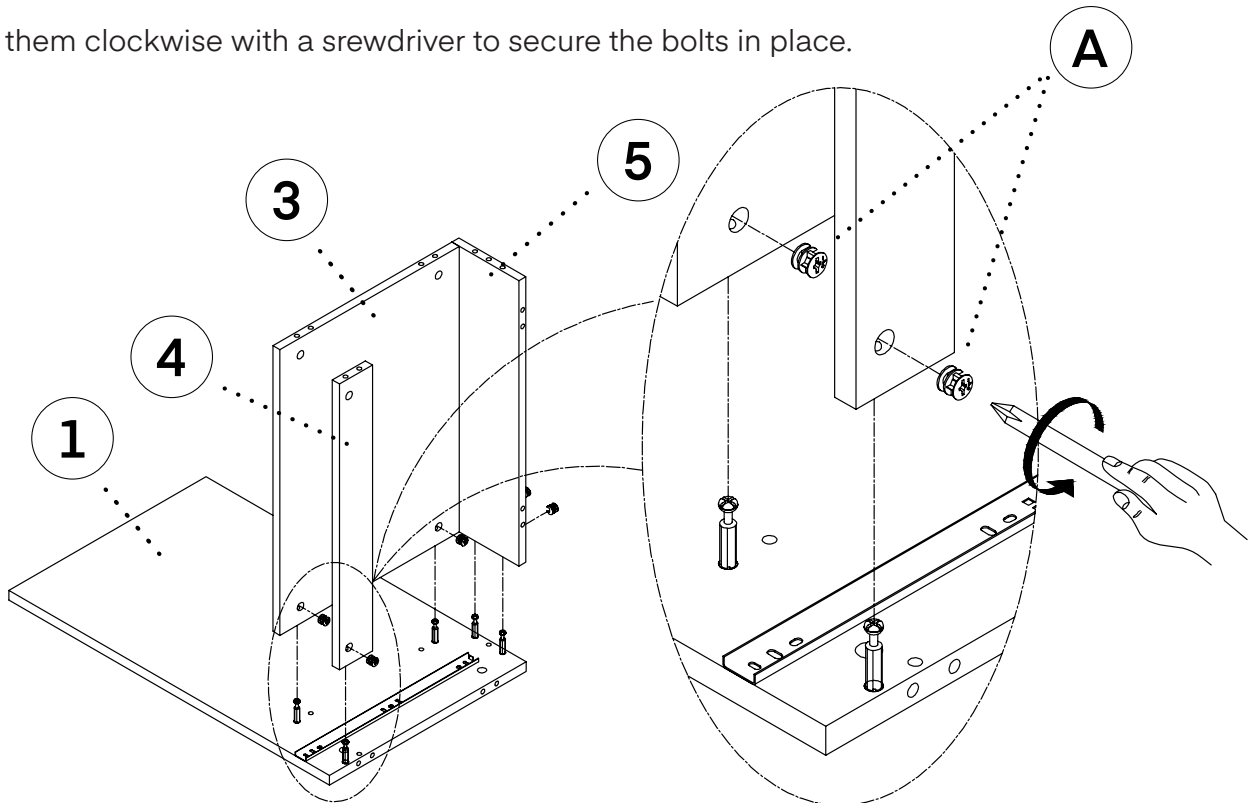
Step 7:

- A.** Using three Ø4x40mm Wooden Screws (I), connect the Top Panel (2) to the Top Filler (6).
- B.** Secure in place with a Philips head screwdriver.



Step 8:

- A.** Attach the Bottom Panel (3), Back Panel (5), Top Front Rail (4) to the pre-installed Cam lock Bolts (B) on the Right Panel (1).
- B.** Insert five Cam Locks (A) into the installed panels, as pictured below.
 - a.** Turn them clockwise with a screwdriver to secure the bolts in place.

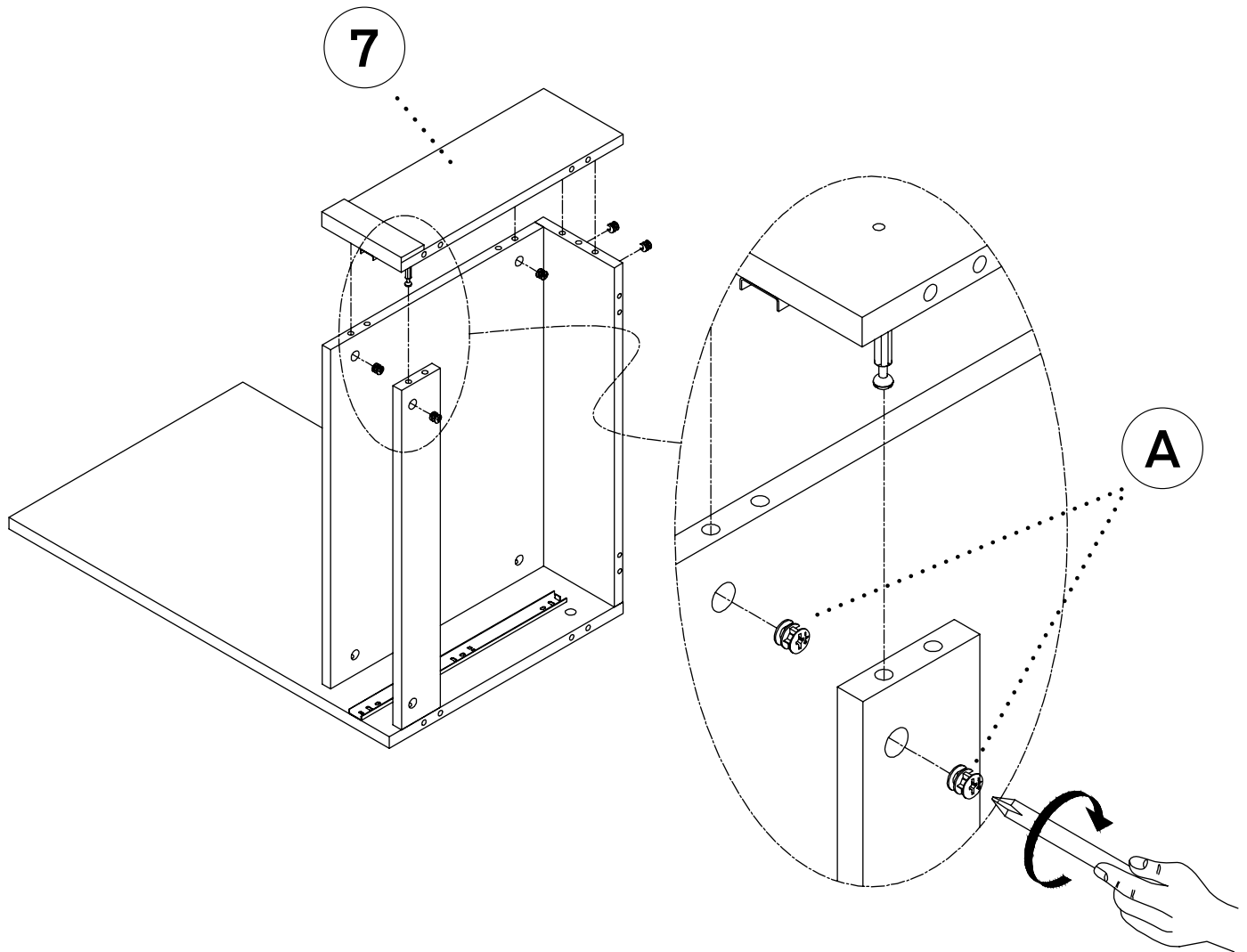


Step 9:

A. Attach the Left Panel (7) to the Bottom Panel (3), Back Panel (5) and Top Front Rail (4).

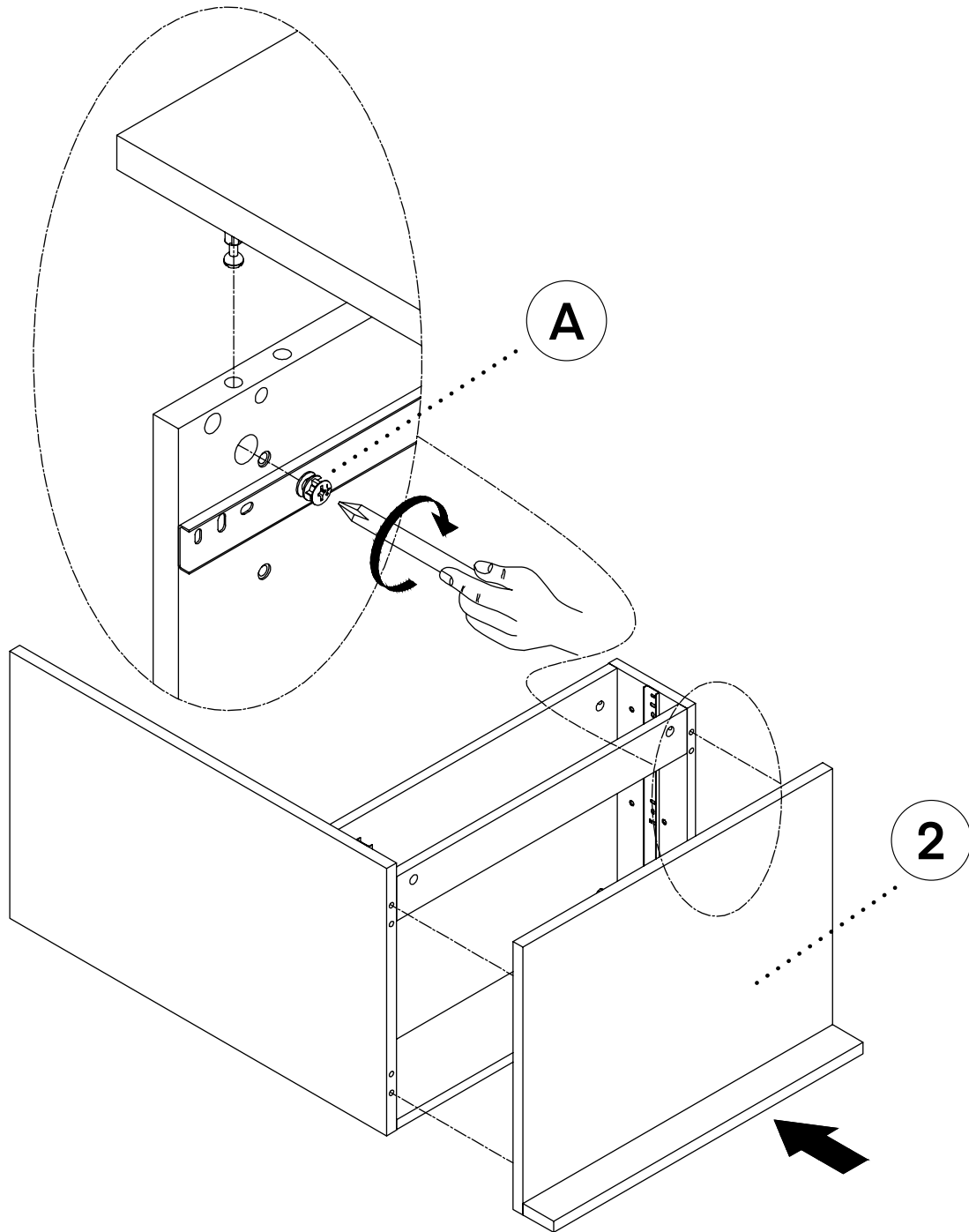
a. Insert five Ø15*13mm Cam Locks (A) into the preinstalled panels, as pictured below.

B. Turn the Ø15*13mm Cam Locks (A) clockwise with a screwdriver to secure the bolts in place.



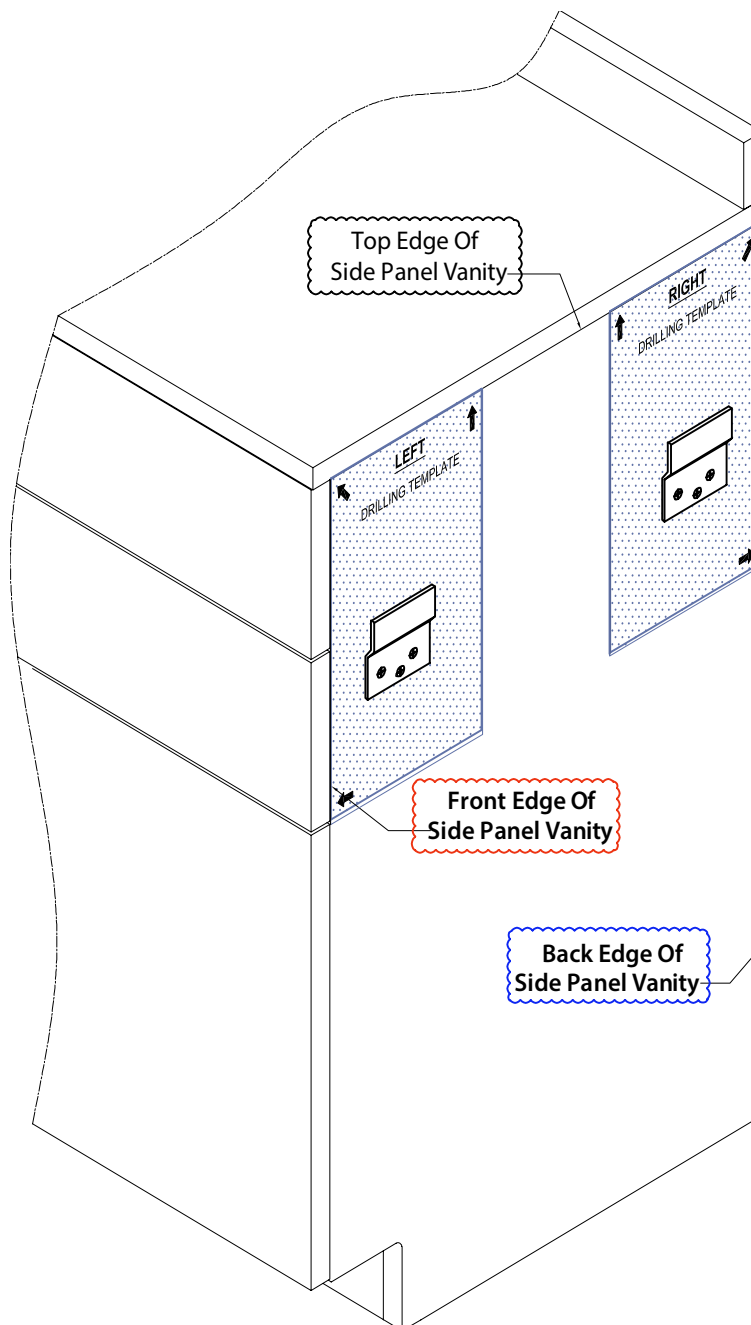
Step 10:

- A.** Attach the Top Panel (2) to Left Panel (7), Right Panel (1), Back Panel (5), as pictured.
- B.** Insert four $\text{Ø}15 \times 13\text{mm}$ Cam Locks (A) into the panels, as pictured below.
 - a.** Turn them clockwise with a screwdriver to secure the bolts in place.



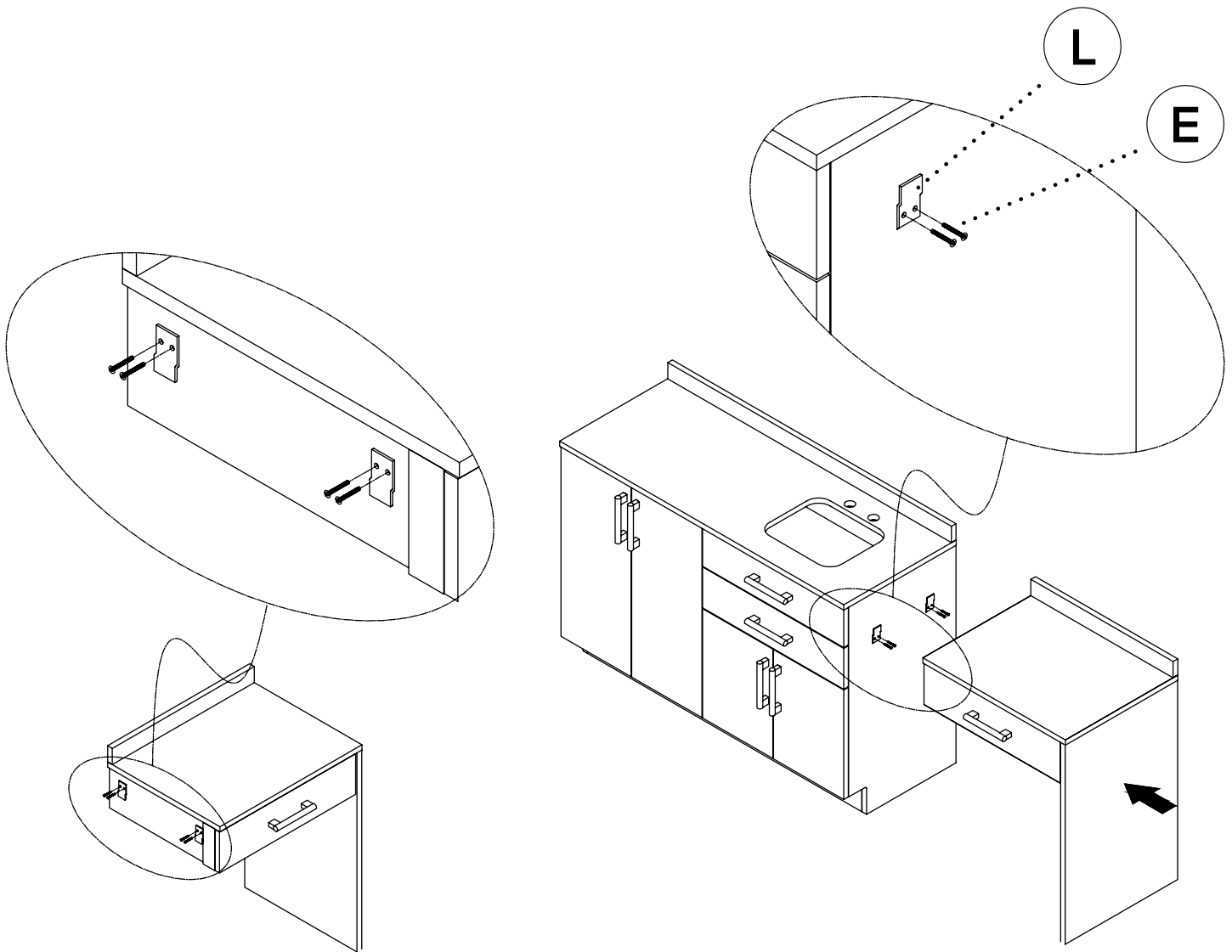
Step 11:

- A.** Position the included drilling template on the side panel of your base cabinet.
 - a.** Align the top edge of the template with the front edge of the panel, as pictured below.
 - b.** Secure it in place using painter's tape.
- B.** Repeat the above step for the back edge of the same side panel (see image below for reference).
 - a.** Ensure the text on the template is facing upward while applying.
- C.** Use the template to mark the drilling holes on the side panel.
 - a.** Drill four holes ($\text{Ø}3 \times 1\text{mm}$) at the marked positions



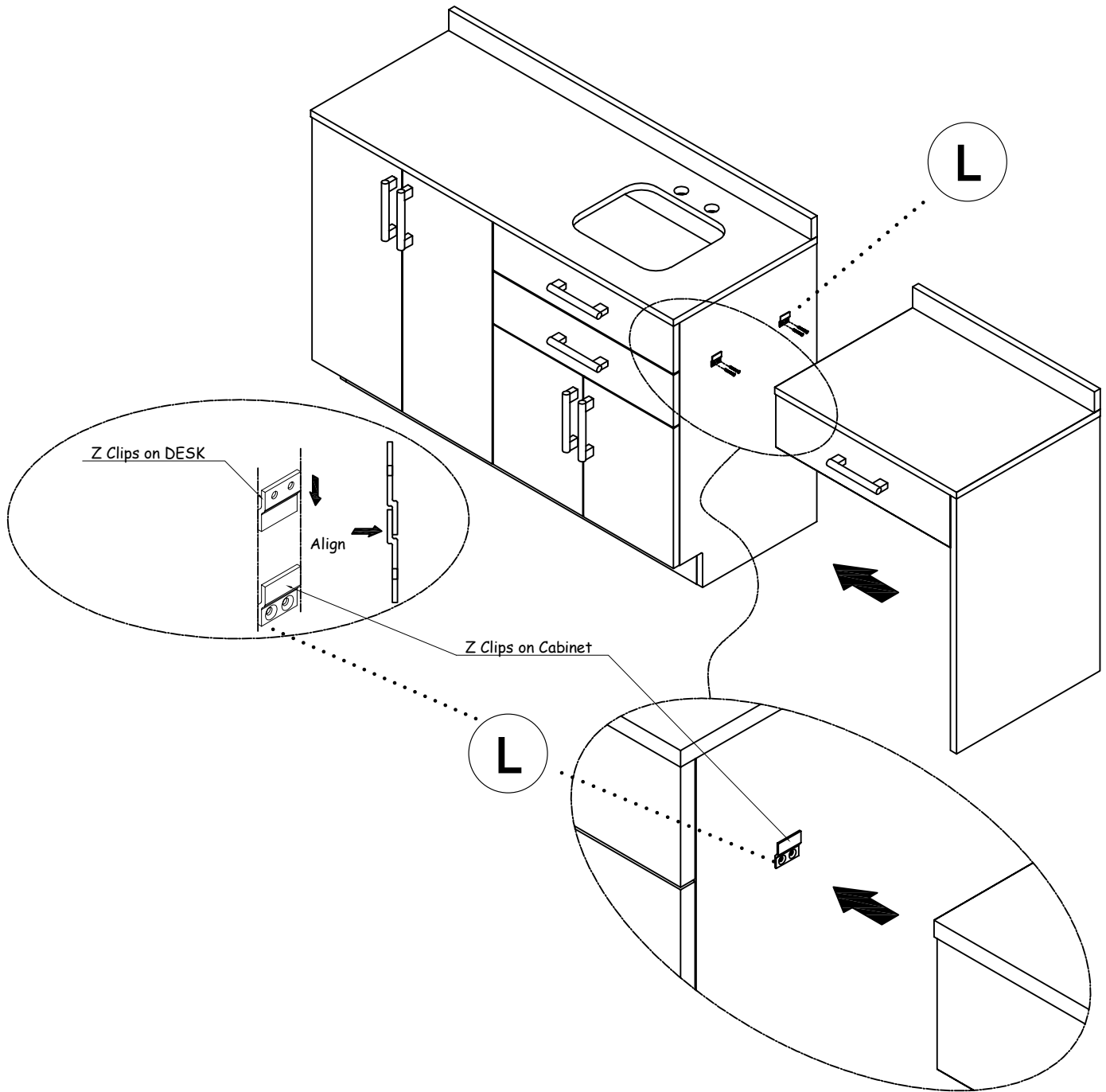
Step 12:

- A.** Attach two Hanging Z Clips (L) using four Ø4x15mm Wooden Screws (E) into the drilled holes on the side panel.
- B.** Gather the two remaining Hanging Z Clips (L) and four Ø4x15mm Wooden Screws (E).
- C.** Using the guide marks on the Left Panel (7) on the side desk, attach the two Hanging Z Clips (L) with the four screws, as pictured below.



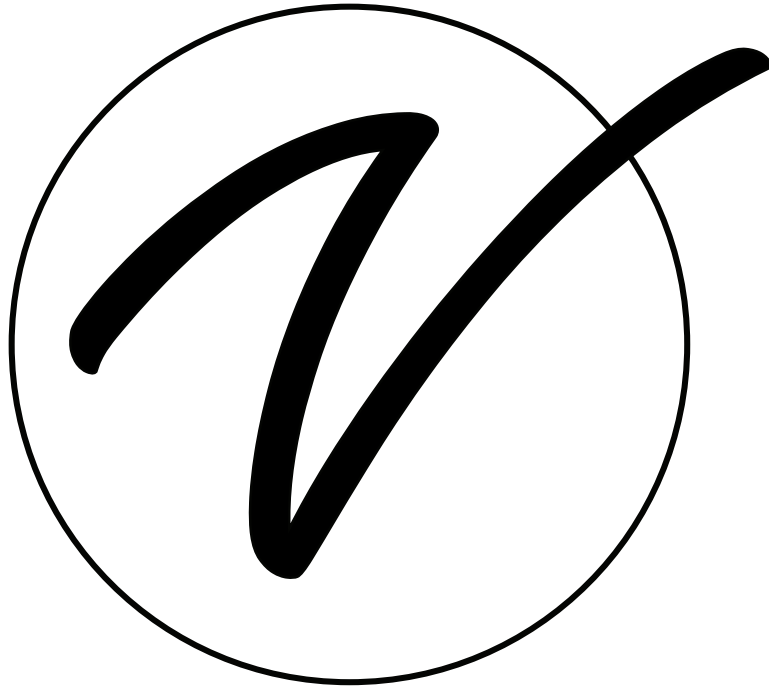
Step 13:

- A.** Apply Stickers (J) to cover the heads of the Ø4x30mm Wooden Screws (H) and Ø4x40mm Wooden Screws (G) for a clean, finished appearance.
- B.** Carefully lift the side desk and lower it onto the Hanging Z Clips (L) on the base cabinet.
 - a.** Ensure the components interlock securely and sit flush with one another.



Warranty

1. Viva Comfort (the "Company" or "Tiger Companies") warrants to the purchaser that the product will be free from defects in workmanship and materials for a period of 1 year from the date of purchase. The warranty period is not extended if we repair, replace, exchange, or provide a refund for the product (as determined in our sole discretion). We may change the availability of this limited warranty at our discretion, but any changes will not be retroactive.
2. These warranties are not assignable or transferable to any other person, including, without limitation, any subsequent owner or other transferee of the product.
3. This Warranty does not apply to: (a) damage caused by misuse, tampering, abuse, neglect, or accident; (b) damage caused by improper installation, modification, or service; (c) alteration of the serial number; or (d) use that violates the instructions furnished by the Company will void this warranty.
4. The sole responsibility of the Company shall be limited to (a) the repair or replacement (in its sole discretion) of any component of the product which fails to conform to this; (b) a refund the purchase price of such product (in its sole discretion), at no cost to the purchaser for the period of the warranty, or (c) an exchange for a similar product, comparable in function and price.
5. Contact the Company directly at 1-(800)-805-1790 to obtain service under this warranty. If it becomes applicable to send a defective product to the Company, a Return Authorization Number must first be obtained from the Company. In order to obtain service under this warranty, purchaser may be required to provide the Company with the following items (a) proof of purchase, (b) photographs and or videos (of the damage, and (c) a written testimonial describing the defect.
6. Products shipped without prior Return Authorization and Return Authorization Number may not be accepted, and the Company will not be responsible for their disposition and/or cost of return to the owner.
7. The Company will not assume any responsibility for any loss or damage incurred in shipping and or delivery.
8. The product(s) must be returned within 14 calendar days of receiving the return authorization from the Company and must include the original proof of purchase for the warranty to be honored.
9. Any implied warranties that the purchaser may have are limited to the duration of the warranties described above. There are no further warranties that extend or apply beyond the face hereof, and the Company expressly disclaims and excludes any and all warranties of merchantability or fitness for a particular purpose. Some states do not allow limitations on how long an implied warranty lasts, so the above limitation may not apply to you.
10. THE REMEDIES DESCRIBED ABOVE ARE YOUR SOLE AND EXCLUSIVE REMEDIES AND THE COMPANY'S ENTIRE LIABILITY FOR ANY BREACH OF THIS LIMITED WARRANTY. OUR LIABILITY SHALL UNDER NO CIRCUMSTANCES EXCEED THE ACTUAL AMOUNT PAID BY YOU FOR THE DEFECTIVE PRODUCT, NOR SHALL WE UNDER ANY CIRCUMSTANCES BE LIABLE FOR ANY CONSEQUENTIAL, INCIDENTAL, SPECIAL OR PUNITIVE DAMAGES OR LOSSES, WHETHER DIRECT OR INDIRECT. SOME STATES DO NOT ALLOW THE EXCLUSION OR LIMITATIONS OF INCIDENTAL OR CONSEQUENTIAL DAMAGES, SO THE LIMITATION MAY NOT APPLY TO YOU.
11. This warranty gives you specific legal rights, and you may also have additional rights which vary from state to state.



ADIME902-SD-AO

© 2025 Viva Comfort

vivacomfort.com