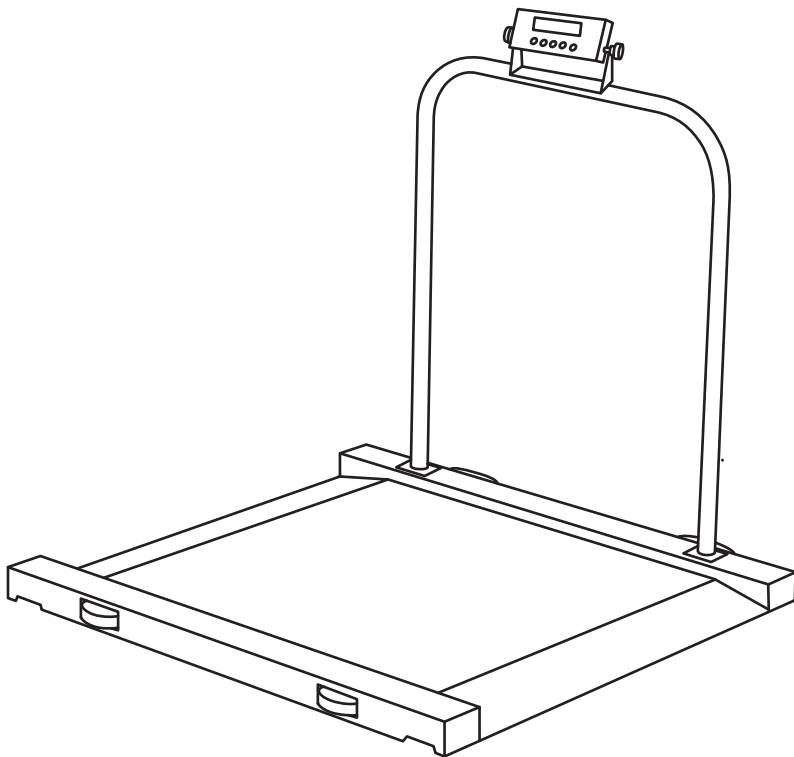


.....

# MEDICAL WHEELCHAIR SCALE

.....

1100lb Capacity



**USER GUIDE**

**SKU: ADIME904-03**



# Thank you for your purchase.

.....

**Viva Comfort maintains a strong practice of ongoing development of products and commercial research.**

.....

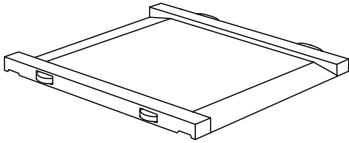
We recognize that starting and maintaining a medical practice is expensive. We'll help make the process cost-effective and elegant. Additionally, our team of specialists will ensure everything you need works as efficiently as possible, so you can effectively treat your clients.

# Table of Contents

- 2** Parts List
- 3** Hardware List
- 4** Assembly Instructions
- 9** Interface
- 10** Operation Method
- 17** Set User Parameter
- 20** Maintenance Of The Scale
- 20** Malfunction
- 21** Specifications
- 22** Warranty
- 23** Notes

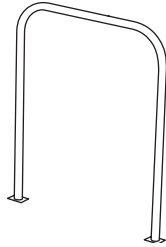
# Parts List

**A**



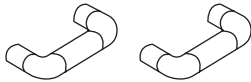
Scale

**B**



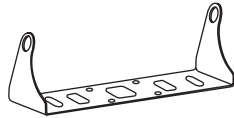
Handrail

**C**



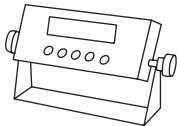
Handles (x2)

**D**




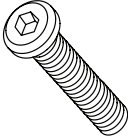

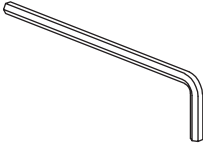
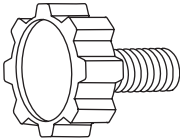

Interface Mounting  
Bracket

**E**

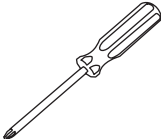


Interface

# Hardware List

<p><b>1</b></p>  <p>M4*16 Philips Screw (x8)</p>	<p><b>2</b></p>  <p>M8x25 Head Cap Screw (x4)</p>
<p><b>3</b></p>  <p>M8 Nut (x4)</p>	<p><b>4</b></p>  <p>Allen Key</p>
<p><b>5</b></p>  <p>Interface Screws (x2)</p>	<p><b>6</b></p>  <p>M3x6 Round Head Screw (x4)</p>

## Tools Needed (But Not Included):

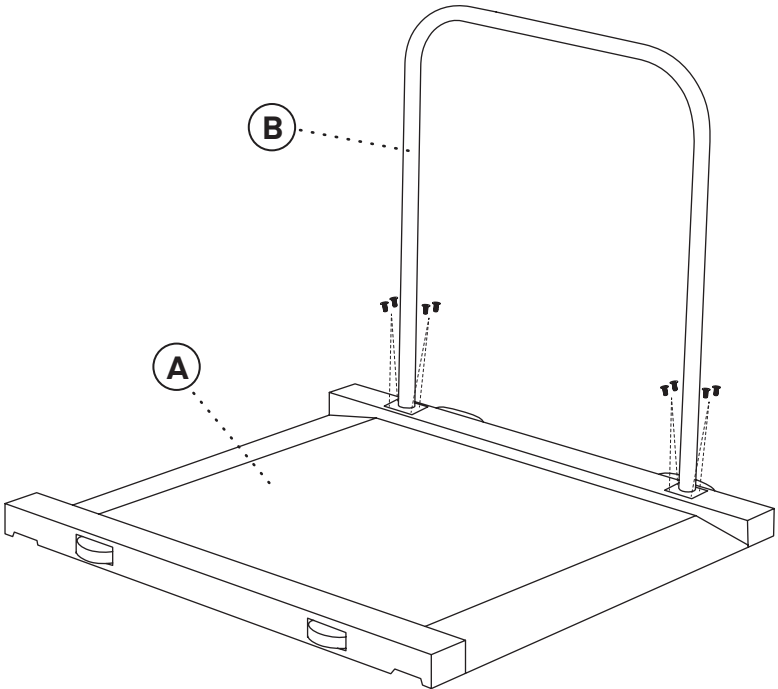
 <p>Phillips Head Screwdriver</p>
--

# Assembly Instructions

## Step 1:

Note: You will need to utilize at least two people to assemble this scale as it is very heavy.

- A.** To assemble your Scale (A), make sure you have all of the parts listed above before beginning.
- B.** Next, lay your Scale (A) on a flat, stable surface.
- C.** Locate the Handrail (B) and the eight M4\*16 Philips Screws (1).
- D.** Line the Handrail (B) up to the two mounting positions located by the handles for the Scale (A).
- E.** Affix four M4\*16 Philips Screws (1) per side of the Handrail (B).



## Step 2:

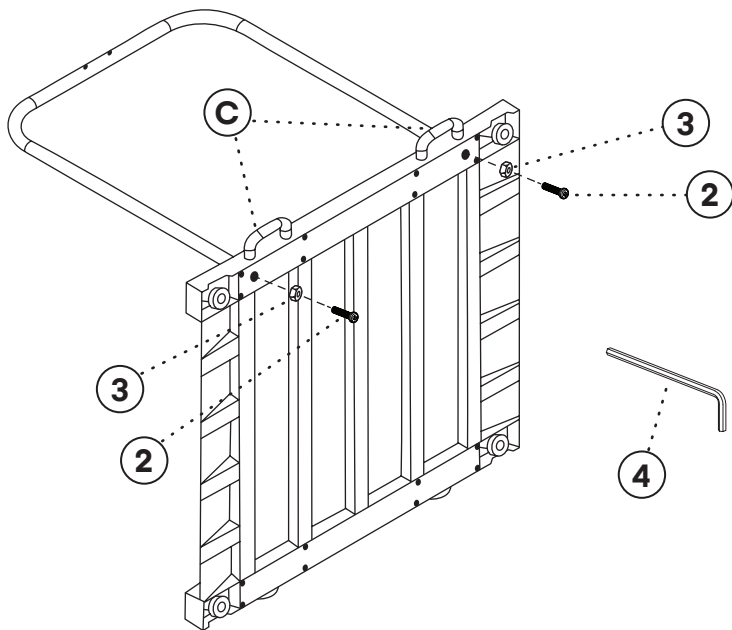
A. Locate a Handle (C), two M8x25 Head Cap Screws (2), two M8 Nuts (3), and the Allen Key (4).

**Note:** You will need two people to lift the scale so it is resting on the side where the wheels are located, as pictured.

B. Thread both M8 Nuts (3) onto the M8x25 Head Cap Screws (2) and insert them underneath as pictured, making sure to line up the handles in the appropriate spot.

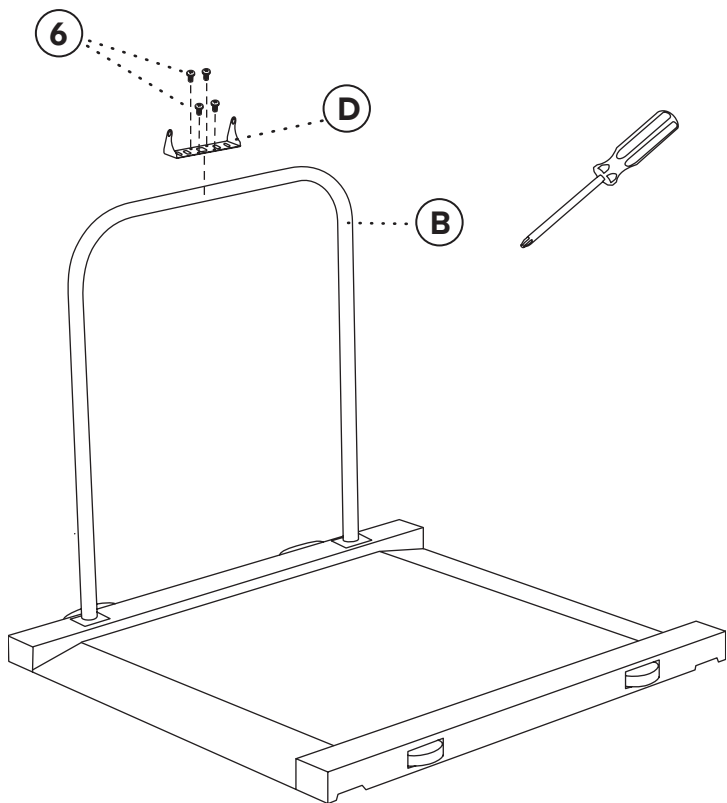
C. Secure them in place using the included Allen Key (4).

D. Repeat the above steps for the other handle.



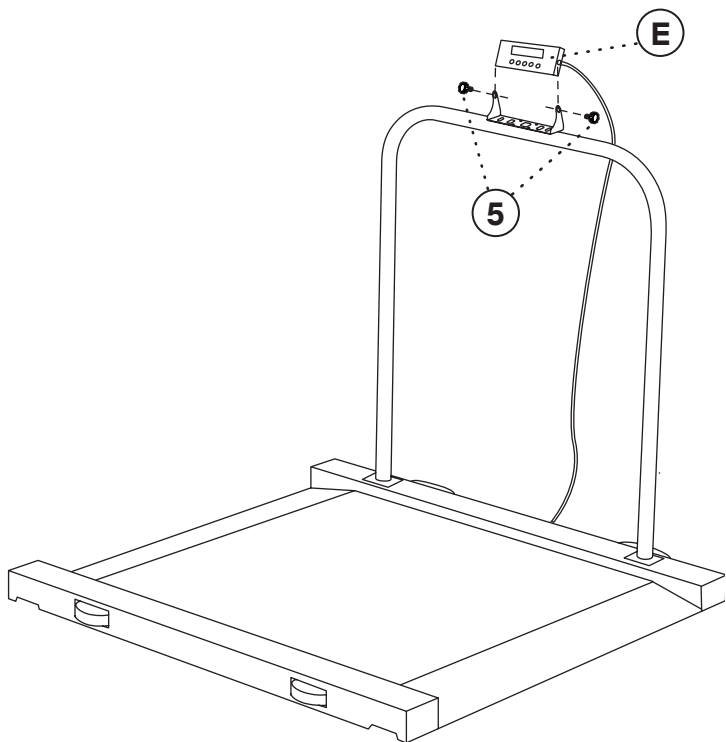
### Step 3:

- A. Locate the Interface Mounting Bracket (D), and the four M3x6 Round Head Screws (6).
- B. Rest the scale so its flat on the ground, as pictured.
- C. Line the Interface Mounting Bracket up on the Handrail (B) and secure it in place with the four M3x6 Round Head Screws (6).
- D. Use a Philips head screwdriver to tighten the screws in place.



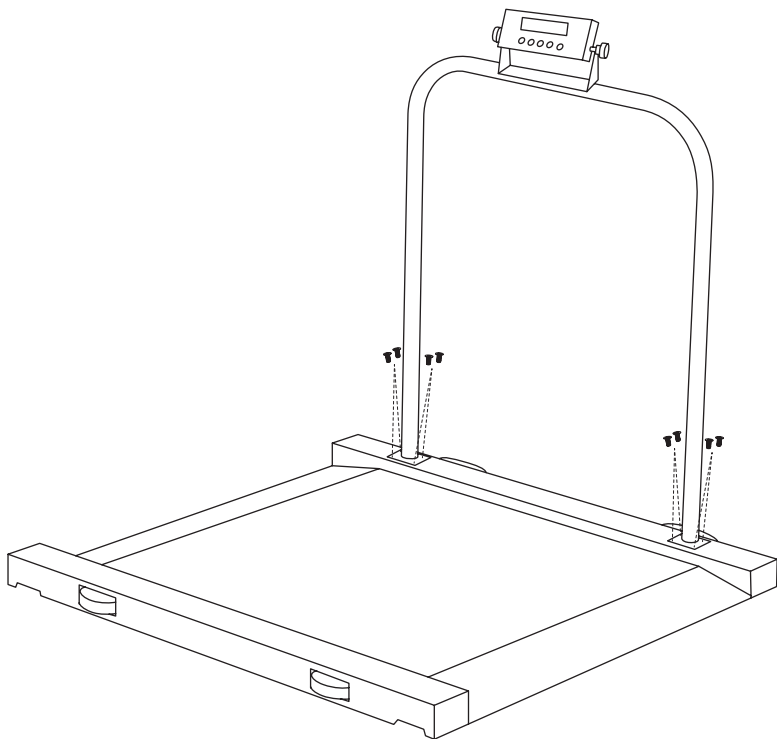
#### Step 4:

- A. Locate the Interface (E), and the two Interface Screws (5).
- B. Place the Interface (E) in between the bracket you just installed
- C. Attach the preinstalled cable to the Interface (E).
- D. Secure both Interface Screws to each side and tighten as needed.

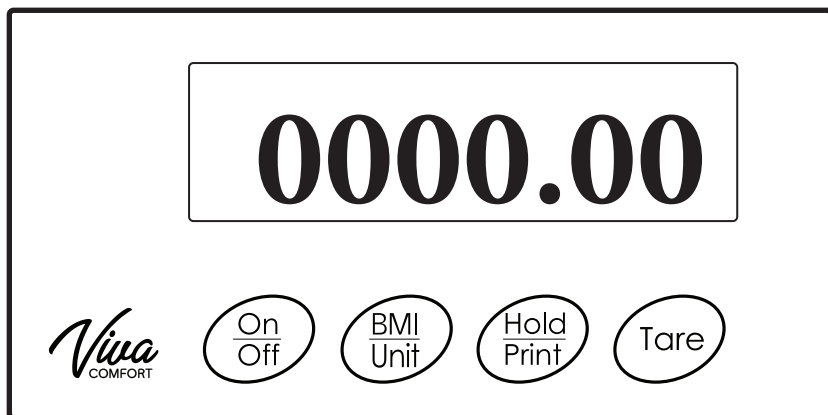


**Step 5:**

**A.** Your Scale (A) is now ready to be used.



# Interface



## BUTTON FUNCTION:

Name	Function	Menu Function	Serial port instruction code
<b>ON/OFF</b>	Turns the Scale on and off	Null	O
<b>BMI/UNIT</b>	Measures body fat/Switches unit from lb to kg	Scroll down the menu or parameters	U
<b>HOLD/PRINT</b>	Hold Function/ Output Printing	Scroll up the menu or parameters	H
<b>TARE</b>	Tare	Enter the menu or confirm to change parameter	T

# Operation Method

## Step 1 - Turn On/Power Adapter

- A. Locate and insert the included power AC Adapter into the supply hub.
- B. This can be located on the left of the display indicator.
- C. Insert the AC Adapter into the AC socket.

## Step 2 - Turn On/Battery

- A. Open the battery cover located on the right side of the display indicator.
- B. Load four AAA alkaline cells into the cell box.
  - a. Be mindful of the polarity.
- C. Close the battery cover.
- D. Make sure nothing is on the platform, press the ON/OFF button once.
  - a. It will show the characters, then the version number.
  - b. After the screen displays "0" you can begin weighing patients.

## Step 3 - Turn Off

- A. Press the ON/OFF button to turn the scale off.

## Step 4 - Weighing

- A.** To get the scale ready to weigh a patient, first press the TARE button once to make the indicator display "0".
- B.** Place the patient on the platform.
- C.** Once the "kg, lb, or pcs" character stops flashing, you can begin to read it.

## Step 5 - Calibration/Single Point

- A.** Under the condition of weighing, long press the UNIT button until the window displays "-----".
- B.** Short press the UNIT button or HOLD button to switch and make the window display CAL.
- C.** Short press the TARE button to make sure you enter the calibration mode.
- D.** After entering calibration mode, the window will display "LOAD" and "0.0 kg" alternately.
  - a.** This means the weight "0.0 kg" should be loaded on the platform.
- E.** After making sure that there is nothing on the platform, short press the T button to make the scale begins with "0.0 kg" calibration.
  - a.** "0.0 kg" will flicker rapidly.
- F.** Keep the platform stable and without other interference factors that will influence the weighing performance.
  - a.** If the weighing keeps stable exceeding 2 seconds, the scale will finish "0.0 kg" calibration automatically and will begin the next calibration point.
- G.** If it doesn't keep stable, the "0.0 kg" will keep flickering while waiting for stable weight.
  - a.** Repeat steps D. and E., calibrate the half capacity range point and the full capacity range point orderly, save the calibrated parameters automatically and return to the weighing mode.

## Step 6 - Switching The Unit

- A. Press the UNIT button to switch the weighing unit between the following: "kg", "lb", "pcs".

## Step 7 - Hold Function

- A. Once you press the HOLD button, the CPU will send the weight data into a USB or RS232 socket.
  - a. The weight will remain on the display for 120 seconds after the item has been removed from the scale so the weight can be easily read.
- B. To begin, place the patient on the scale platform.
- C. Wait for the stable weights to be displayed.
- D. Press the HOLD key and the "▶" displayed on the indicator.
  - a. This means the weight "0.0 kg" should be loaded on the platform.
- E. Remove the item from the scale platform
  - a. The items' weight will remain on the display for 120 seconds.

## Step 8 - Exit Holding

- A. Once a patient is weighed and the hold function is enabled.
- B. Press the HOLD key again to cancel "▶" hold indicator and return the scale to weight value.

## Step 9 - MotionLock Weighing

- A. When the machine is working, press and hold the TARE button until it displays "OFF" or "ON", which indicates the open or close function of the MotionLock weighing.
- B. When the action symbol which is above the unit symbol flashes, it means the current model is the MotionLock model.
- C. In that case, once the weighing is locked, it will automatically remain in the locked weight for about 10 seconds.

## Step 10 - Output Printing Function

- A. Press and hold the HOLD key for 2 seconds, the buzzer will sound, and the weight data will be outputted to the computer or the serial printer.

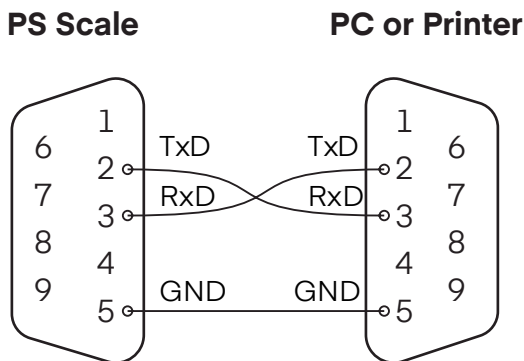
## Step 11 - Counting Sampling

- A. Under the condition of counting, remove the unrelated "objects/patients" on the platform, short press the TARE button to back to zero.
- B. Press the UNIT button to switch the units into "pcs".
  - a. The window will display "ADD10".
  - b. "ADD10" means 10 objects to be weighed should be added onto the platform.
  - c. The weight of each sample should be higher than the scale's minimum division value otherwise the window will display wrong cue "NO".
- C. If you want to change the sampling quantity, please press the HOLD button to change the quantity.
  - a. If you do not need to sample again, please press the UNIT button to cancel the sampling, and the scale will adopt the last sampling value to count.

- D. After confirming the quantity of objects on the platform and the date displayed on the LCD are the same, short press the TARE button, then begin to sample and count.
- E. During the process of sampling and counting, the screen will display the sampling data with rapid flicker.
  - a. Keep the platform stable and without other interference factors which will influence the weighing performance.
  - b. If the weighing keeps stable exceeding 2 seconds, the sampling and counting will be automatically finished, the parameter will be saved automatically, and the scale will return to counting mode.
  - c. If not, the screen will keep flickering the data and waiting for the stability of measuring.

## Step 12 - Serial Port Printout

- A. Connect the serial port with the scale according to drawing as below.
  - a. Baud Rate = 9600, without parity digit, sent stop bit 1.
    - i. The serial connection diagram is omitted.



- b. Open the serial communication software, for example, "Hyper Terminal" in windows.
  - i. Select the connected port number "COM" and set the baud rate as 9600 bps, the parity bit as "NONE", the data bit as "8Bit", and the stop bit as "1Bit".
- c. You can select the serial output modes according to your own needs.
  - i. The output modes include 3 types: Output by pressing "M" button, automatic output after the weight keeps stable and continuous output.
  - ii. You can set the "OUT" in "Parameter Setting".
- d. Output Data Form: 8 bytes data bit + 3 bytes unit code + 2 bytes ending code.
  - i. The above mentioned characters are all ASCII codes, and the unit can be 'kg', "lb" or "pcs".
- e. The serial ports order can be found in the Button Function section.

**B. Example of Output Data:**

Display	Data Bit								Unit Code			Ending Code	
	1	2	3	4	5	6	7	8	9	10	11	12	13
<b>123,45kg</b>	Blank	Blank	1	2	3	.	4	5	k	g	Blank	CR	LF
<b>-123,45lb</b>	Blank	-	1	2	3	.	4	5	l	b	Blank	CR	LF
<b>123.0pcs</b>	Blank	Blank	Blank	1	2	3	.	0	p	c	s	CR	LF

### **Step 13 - BMI Operation**

- A.** In standard mode, have a person stand on the scale.
- B.** After the indicator is stable, press the BMI/Unit key to change to cm unit.
- C.** Press the BMI/Unit key and Hold/Print key to change the height of the person.
  - a. Long press the BMI/Unit key and Hold/Print key quickly to change the height of the person.
- D.** Press the TARE key to confirm the input of the height.
- E.** The indicator will calculate the BMI automatically.
- F.** Press the BMI/Unit key to exit BMI mode.

# Set User Parameter

## Step 1 - Setting The User Parameter

- A.** Under the condition that the scale is off, press the UNIT button in tandem with the ON/OFF button to turn the scale on.
  - a.** DO NOT release the UNIT button until the screen displays "-----".
- B.** Short press the UNIT button or the HOLD button to switch the menu.
- C.** Short press the TARE button to enter the display menu.
- D.** After entering the display menu, short press the UNIT or HOLD button to select the parameter.
- E.** Short press the TARE button to confirm the parameter and return to the menu.
- F.** After all the parameters have been set, switch the menu into "-END-", short press the TARE button to finish the setting and save the parameters.
  - a.** Then return to the weighing or counting mode.

Menu	Meaning of Menu	Selectable Parameter	Meaning of Parameter
1. CODE	Check the internal code	Null	Check the internal code for debugging by manufacturer
2. AST	Zero tracking range	0.5/1/2/3d	Set automatic zero tracking range
3. OUT	Printout method	Key/Auto/Conti	Key: printout while press the key Auto: printout automatically Conti: printout continuously
4. LED	Backlight control method	OFF/Auto/on	OFF: back light is turned off Auto: back light is automatic On: back light is turned on
5. OFF	Automatic shutdown control	No/3/5/10/15/30/60 min	No: no automatic shutdown 3~60min: if there are no any actions of weighing objects or pressing buttons, the instrument will automatically turn off
6. -LL-	Set Lower limit alarm	xxxx (lower limit value)	If the lower limit value is set to "0", the lower limit alarm function is canceled
7. -HH-	Set upper limit alarm	xxxx (upper limit value)	If the upper limit value is set to "0", the upper limit alarm function is canceled
-END-	Finish measuring and save the parameters	Null	

## Step 2 - Meaning of Cue Code

Display Code	Meaning of Code	Solution
NO	1. The calibration weight value is not loaded according to the display when calibrating 2. The quantity of objects is not loaded according to the quantity of sampling	1. Load the weight value according to the show value 2. Load the quantity according to the show value
AC	The batteries are brownout	1. Use new batteries. 2. Use power adapter.
Err-0	1. Lost the calibration data 2. The load cell or main board maybe damaged	1. Re-calibrate 2. Change the load cell or main board
Err-1	1. The weight is over the max capacity 2. Lost the calibration data 3. The load cell or main board maybe damaged	1. Remove the objects on the platform 2. Re-calibrate 3. Change the load cell or main board
--L--	Lower limit alarm	Cancel lower limit alarm
--H--	Upper limit alarm	Cancel upper limit alarm

# Maintenance of The Scale

- A.** In order to keep the scales in normal operating capacity, the crust of indicator and the platform of scale should be kept clean and prevented from corrosion by foreign substance. If necessary, you should use a piece of cloth with mild washing agent to clean them. When you do not have to use the scale, pull out the A/C plug. If the scale will not be used for a long time, it is recommended to take out the batteries.

## Malfunction

Phenomenon	Reason	Solution
No display	The power plug is not inserted in right place The batteries are expired	Insert the plug in right place Use the new batteries
Low-voltage indication	The power of batteries is low	Use the new batteries
Error in weighing data-reading	The scale did not back to zero before using The scale is not calibrated	Do not put objects on the platform, press "TARE" button, and begin to weigh objects Re-calibrate
False calibration	The calibration weight is not precise	Use the precise calibration weight

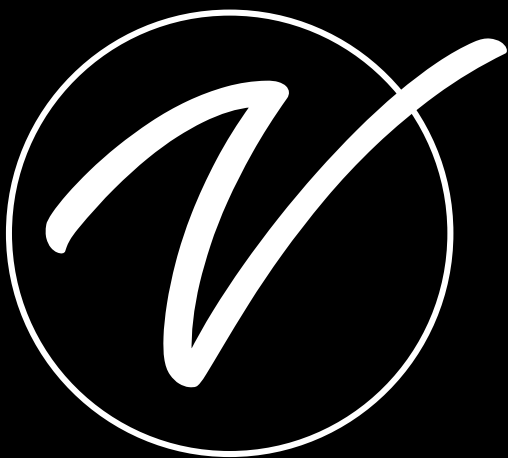
# Specifications

<b>Model</b>	ADIME904-03
<b>Capacity</b>	1100LB
<b>Tare range</b>	To capacity by subtraction
<b>Over range capacity</b>	Capacity 9d
<b>Stabilization time</b>	2sec
<b>Operation temperature</b>	0~40°C
<b>Power requirements</b>	AC adapter(supplied with balance); 110 or 220V AC, 50/60Hz or 4 AAA batteries option

# Warranty

1. Adir Corp (the "Company" or "Tiger Companies") warrants to the purchaser that the product will be free from defects in workmanship and materials for a period of 1 year from the date of purchase. The warranty period is not extended if we repair, replace, exchange, or provide a refund for the product (as determined in our sole discretion). We may change the availability of this limited warranty at our discretion, but any changes will not be retroactive.
2. These warranties are not assignable or transferable to any other person, including, without limitation, any subsequent owner or other transferee of the product.
3. This Warranty does not apply to: (a) damage caused by misuse, tampering, abuse, neglect, or accident; (b) damage caused by improper installation, modification, or service; (c) alteration of the serial number; or (d) use that violates the instructions furnished by the Company will void this warranty.
4. The sole responsibility of the Company shall be limited to (a) the repair or replacement (in its sole discretion) of any component of the product which fails to conform to this; (b) a refund the purchase price of such product (in its sole discretion), at no cost to the purchaser for the period of the warranty, or (c) an exchange for a similar product, comparable in function and price.
5. Contact the Company directly at 1-(800)-805-1790 to obtain service under this warranty. If it becomes applicable to send a defective product to the Company, a Return Authorization Number must first be obtained from the Company. In order to obtain service under this warranty, purchaser may be required to provide the Company with the following items (a) proof of purchase, (b) photographs and or videos (of the damage, and (c) a written testimonial describing the defect.
6. Products shipped without prior Return Authorization and Return Authorization Number may not be accepted, and the Company will not be responsible for their disposition and/or cost of return to the owner.
7. The Company will not assume any responsibility for any loss or damage incurred in shipping and or delivery.
8. The product(s) must be returned within 14 calendar days of receiving the return authorization from the Company and must include the original proof of purchase for the warranty to be honored.
9. Any implied warranties that the purchaser may have are limited to the duration of the warranties described above. There are no further warranties that extend or apply beyond the face hereof, and the Company expressly disclaims and excludes any and all warranties of merchantability or fitness for a particular purpose. Some states do not allow limitations on how long an implied warranty lasts, so the above limitation may not apply to you.
10. THE REMEDIES DESCRIBED ABOVE ARE YOUR SOLE AND EXCLUSIVE REMEDIES AND THE COMPANY'S ENTIRE LIABILITY FOR ANY BREACH OF THIS LIMITED WARRANTY. OUR LIABILITY SHALL UNDER NO CIRCUMSTANCES EXCEED THE ACTUAL AMOUNT PAID BY YOU FOR THE DEFECTIVE PRODUCT, NOR SHALL WE UNDER ANY CIRCUMSTANCES BE LIABLE FOR ANY CONSEQUENTIAL, INCIDENTAL, SPECIAL OR PUNITIVE DAMAGES OR LOSSES, WHETHER DIRECT OR INDIRECT. SOME STATES DO NOT ALLOW THE EXCLUSION OR LIMITATIONS OF INCIDENTAL OR CONSEQUENTIAL DAMAGES, SO THE LIMITATION MAY NOT APPLY TO YOU.
11. This warranty gives you specific legal rights, and you may also have additional rights which vary from state to state.





**ADIME904-03**

© 2025 Viva Comfort

**[vivacomfort.com](https://vivacomfort.com)**