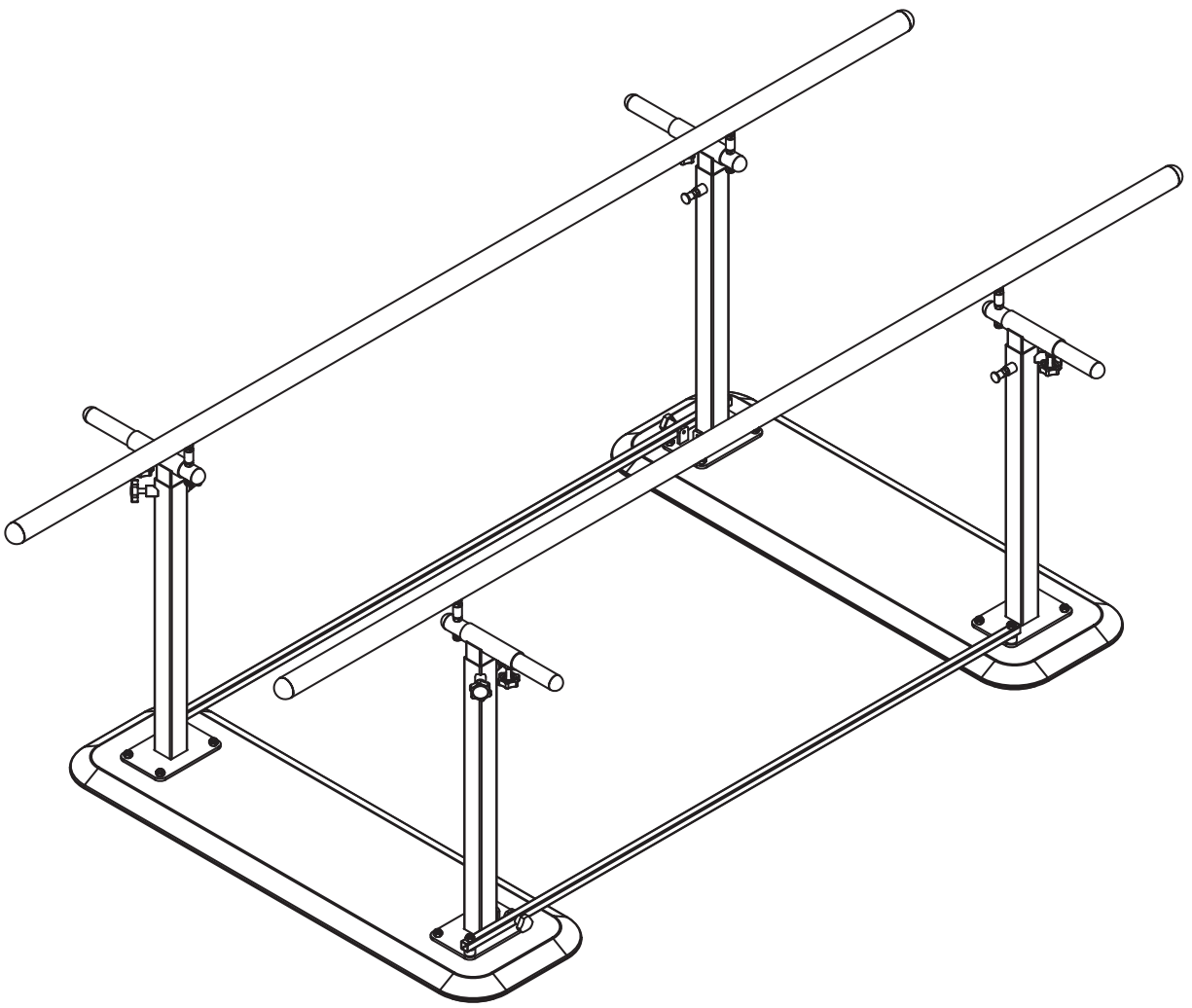


.....

FOLDING PARALLEL BARS

SEVEN FEET

.....



USER GUIDE

SKU: ADIME905-01



Thank you for your purchase.



Viva Comfort maintains a strong practice of ongoing development of products and commercial research.



We recognize that starting and maintaining a medical practice is expensive. We'll help make the process cost-effective and elegant. Additionally, our team of specialists will ensure everything you need works as efficiently as possible, so you can effectively treat your clients.

Table of Contents

2	Specifications
2	Recommendation
2	Preparation and Inspection Before Use
3	Parts List
4	Hardware List
4	Tools Needed
5	Assembly Instructions
10	Instructions For Use
10	Height Adjustment
11	Width Adjustment
12	Folding Parallel Bars
13	Safety Warning
14	Care and Maintenance Guide
15	Warranty

Specifications

Product Dimensions: 28"-43.7" H x 17.6-25.5" W x 84" L

Weight: 144 lbs.

Recommendation

Recommended Number of People Required for Assembly

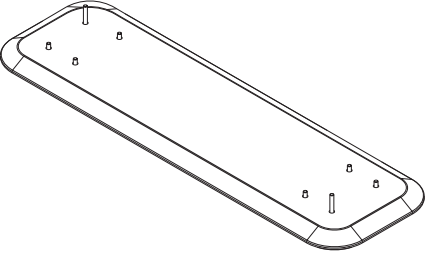
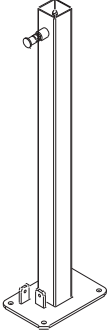
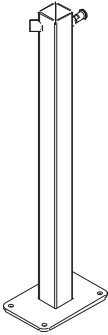
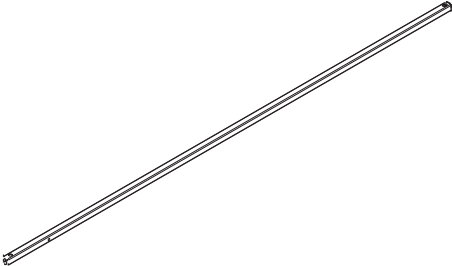
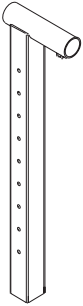
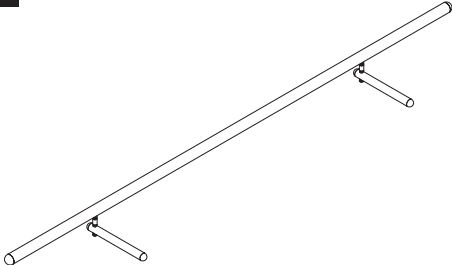


2 persons

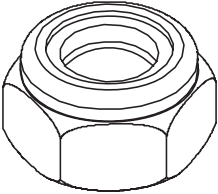
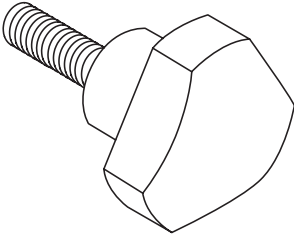
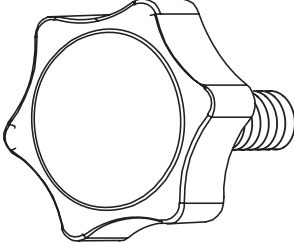
Preparation and Inspection Before Use

- A.** Confirm whether a product manual and warranty card accompany the product.
- B.** Confirm whether the installation hardware package is attached.
- C.** Confirm whether the components are deformed or damaged.
- D.** If any abnormalities occur during installation and use, please get in touch with the dealer in time.

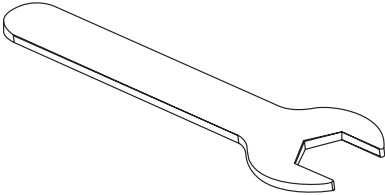
Parts List

<p>A</p>  <p>Wooden Base (x2)</p>	<p>B1</p>  <p>Metal Support Legs 1 (x2)</p>
<p>B2</p>  <p>Metal Support Legs 2 (x2)</p>	<p>C</p>  <p>Connecting Crossbar (x2)</p>
<p>D</p>  <p>Height Adjustment Leg (x4)</p>	<p>E</p>  <p>Parallel Bars (x2)</p>

Hardware List

<p>1</p>  <p>M8 Lock Nut (x18)</p>	<p>2</p>  <p>Knob (x2) (M6*20mm)</p>
<p>3</p>  <p>Knob (x8) (M8*30mm)</p>	

Tools Needed

<p>4</p>  <p>Open-End Wrench</p>
--

Assembly Instructions

Step 1:

A. Please take the product out of the package and place it on the ground carefully. Please lay a blanket on the ground to prevent equipment from damaging the floor.

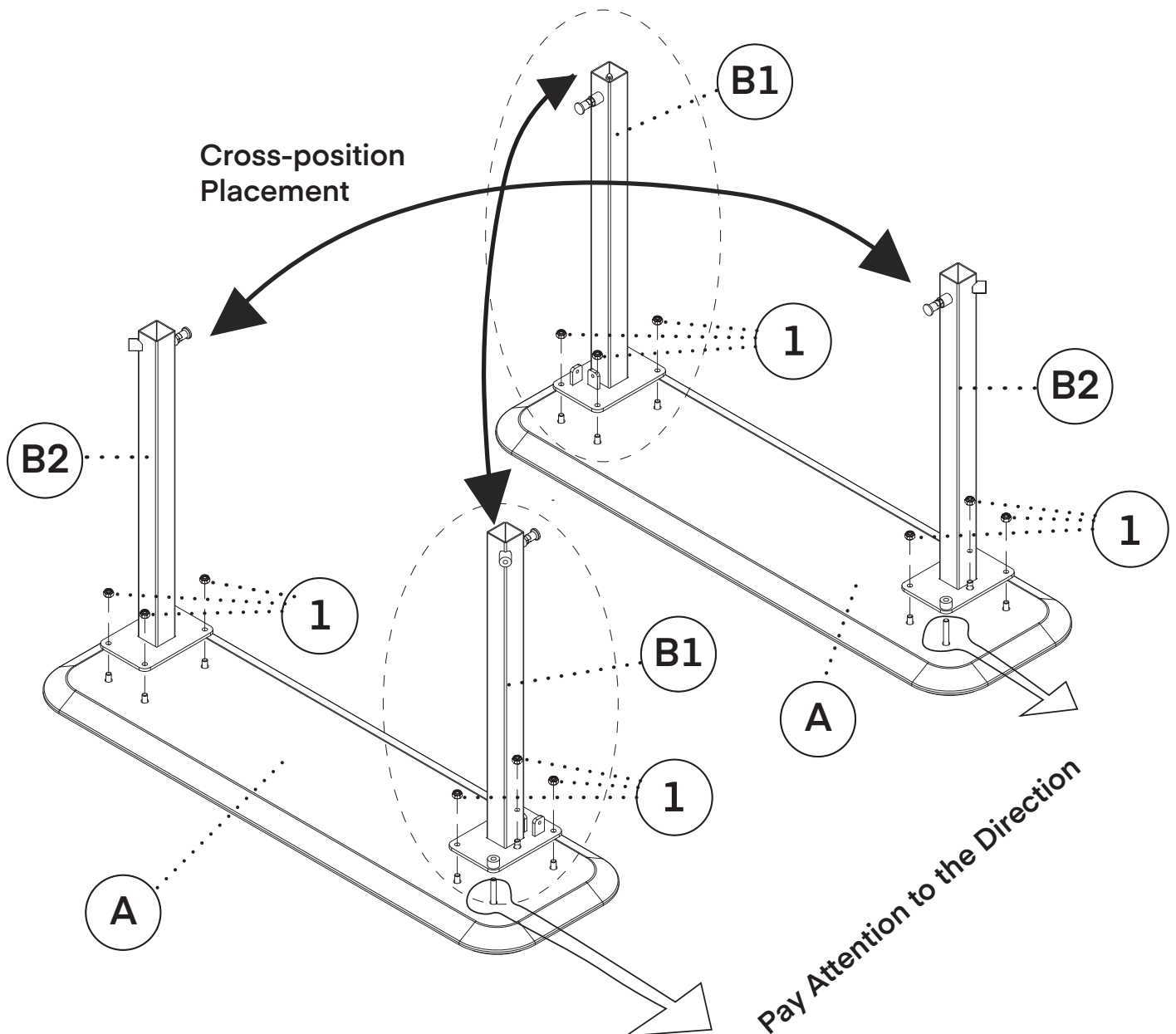
Step 2:

A. Install the Metal Support Legs 1 and 2 (B1 and B2), as shown.

a. Note the orientation of the four Metal Support Legs 1 and 2 (B1 and B2).

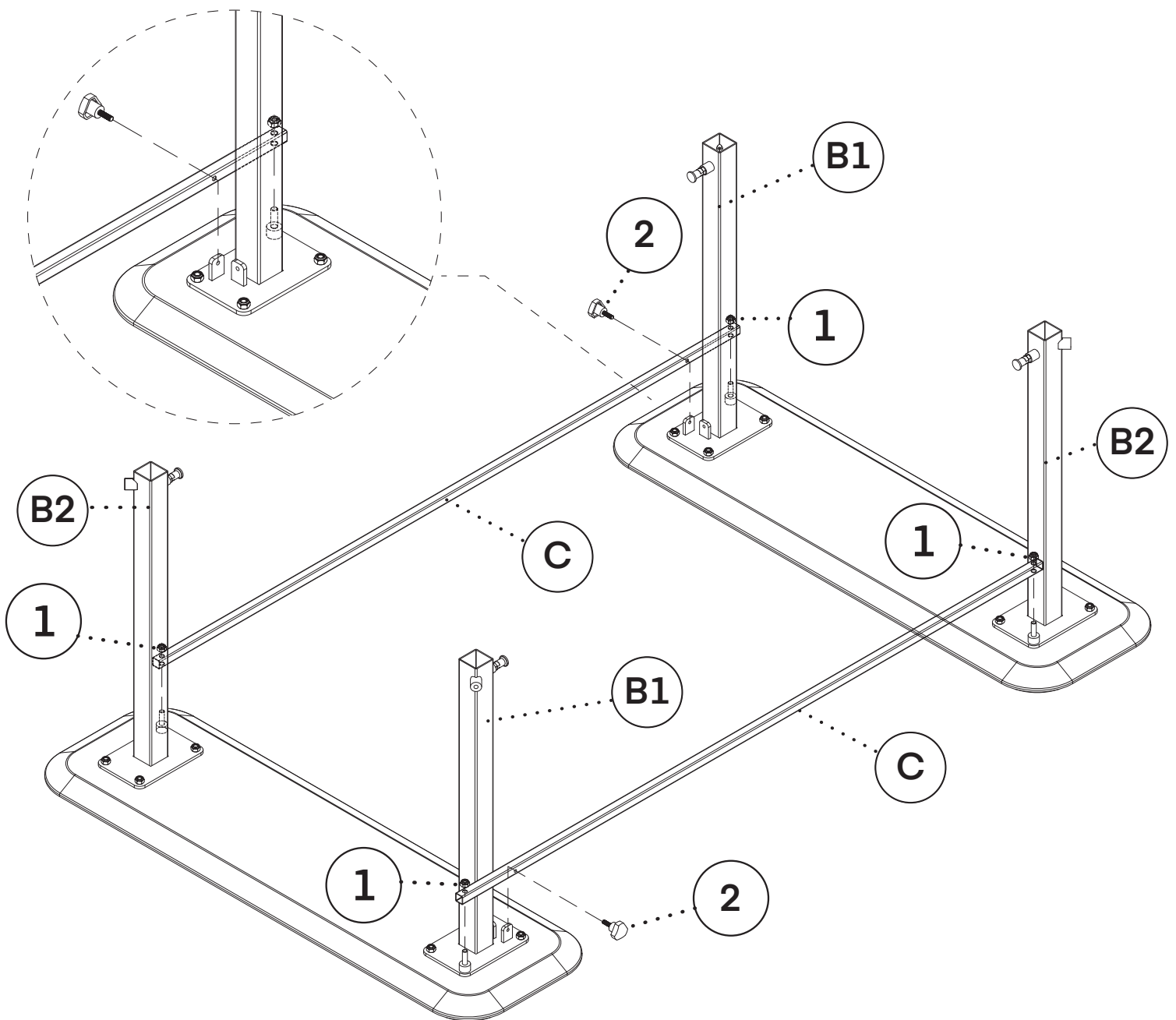
b. Insert the pre-installed bolts from the Wooden Base (A) through the pre-installed bolt holes in the metal base of the Metal Support Legs 1 and 2 (B1 and B2).

C. Insert twelve M8 Lock Nuts (1) onto the bolts, and use an Open-End Wrench (4) to tighten them clockwise, so that the M8 Lock Nuts (1) secure the four Metal Support Legs 1 and 2 (B1 and B2) to the Wooden Base (A).



Step 3:

- A. Install the Connecting Crossbars (C) between the two Wooden Bases (A), as pictured.
 - B. Pass the pre-installed bolts on the metal base of the Metal Support Legs 1 and 2 (B1 and B2) through the reserved holes at the ends of the Connecting Crossbars (C).
 - C. Install four M8 Lock Nuts (1) and use an Open-End Wrench (4) to tighten them to lock the Connecting Crossbars (C) to the metal base of the Metal Support Legs 1 and 2 (B1 and B2).
- Note:** A total of four M8 Lock Nuts (1) are required.
- D. Use the M6*20mm Knobs (2) to pass through the reserved hole of the Connecting Crossbars (C) as shown, and rotate the M6*20mm Knobs (2) until the knob is locked into the threaded hole of the rear iron plate.

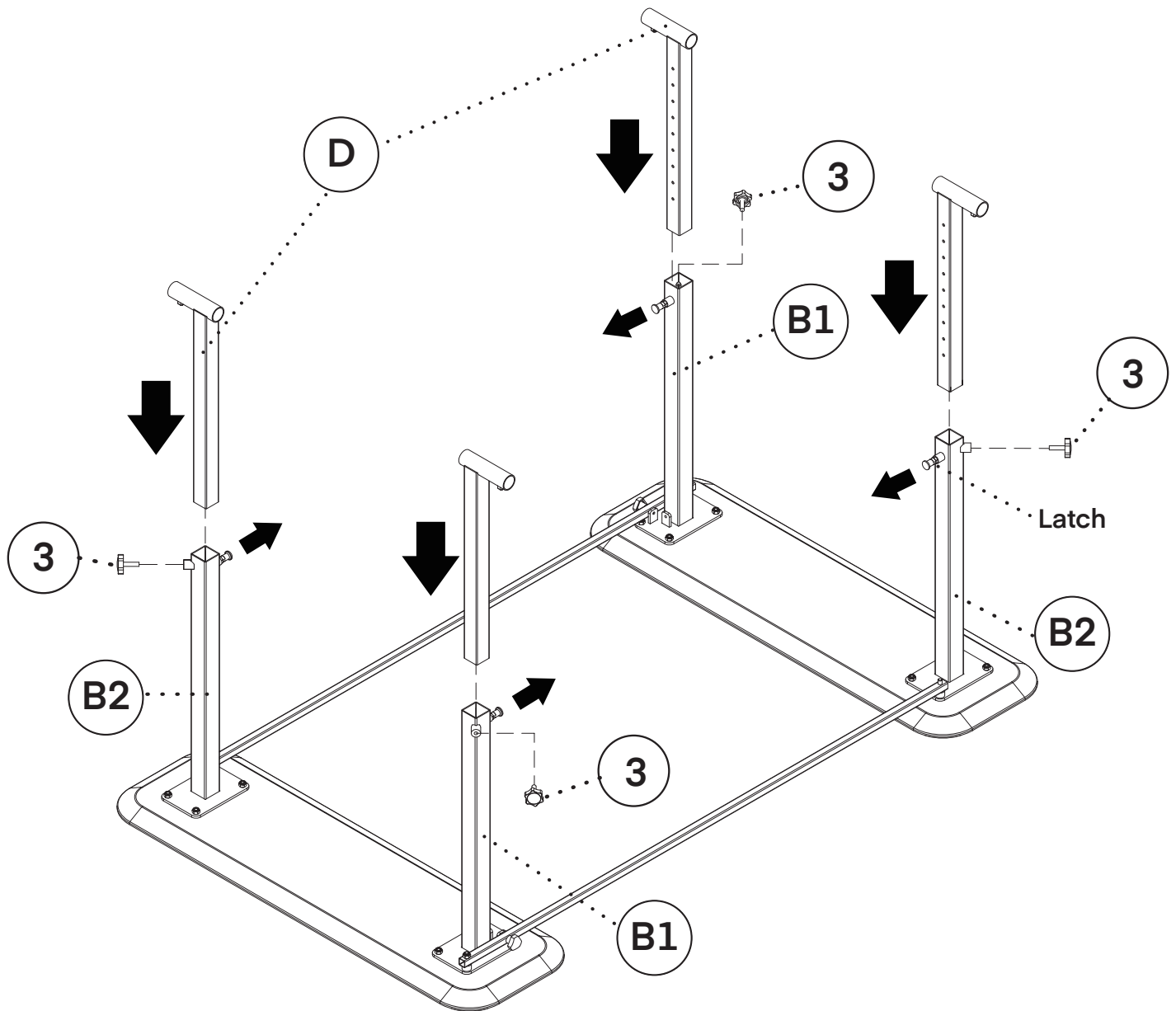


Step 4:

- A. Pull out the latch on the side of the Metal Support Legs 1 and 2 (B1 and B2), point the adjustment hole of the Height Adjustment Legs (D) toward the direction of the latch.
- B. Insert the Height Adjustment Legs (D) into the square tube of the Metal Support Legs 1 and 2 (B1 and B2).
- C. Adjust the Height Adjustment Legs (D) to the appropriate position, and insert the latch to lock it.

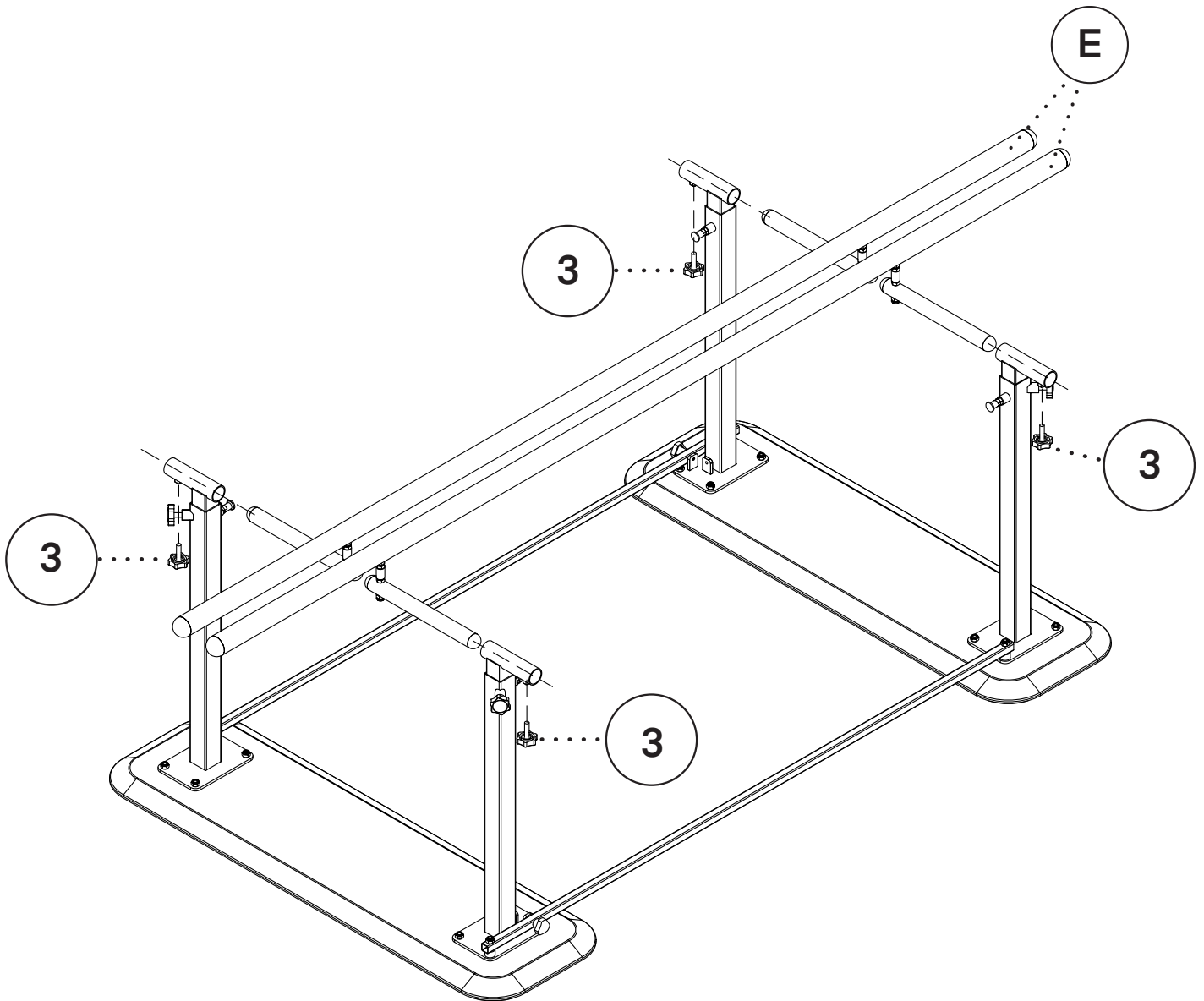
Step 5:

- A. Turn the M8*30mm Knobs (3) clockwise into the screw hole on the side of the Metal Support Legs 1 and 2 (B1 and B2) and tighten the M8*30mm Knobs (3) to ensure that the Height Adjustment Legs (D) do not shake.



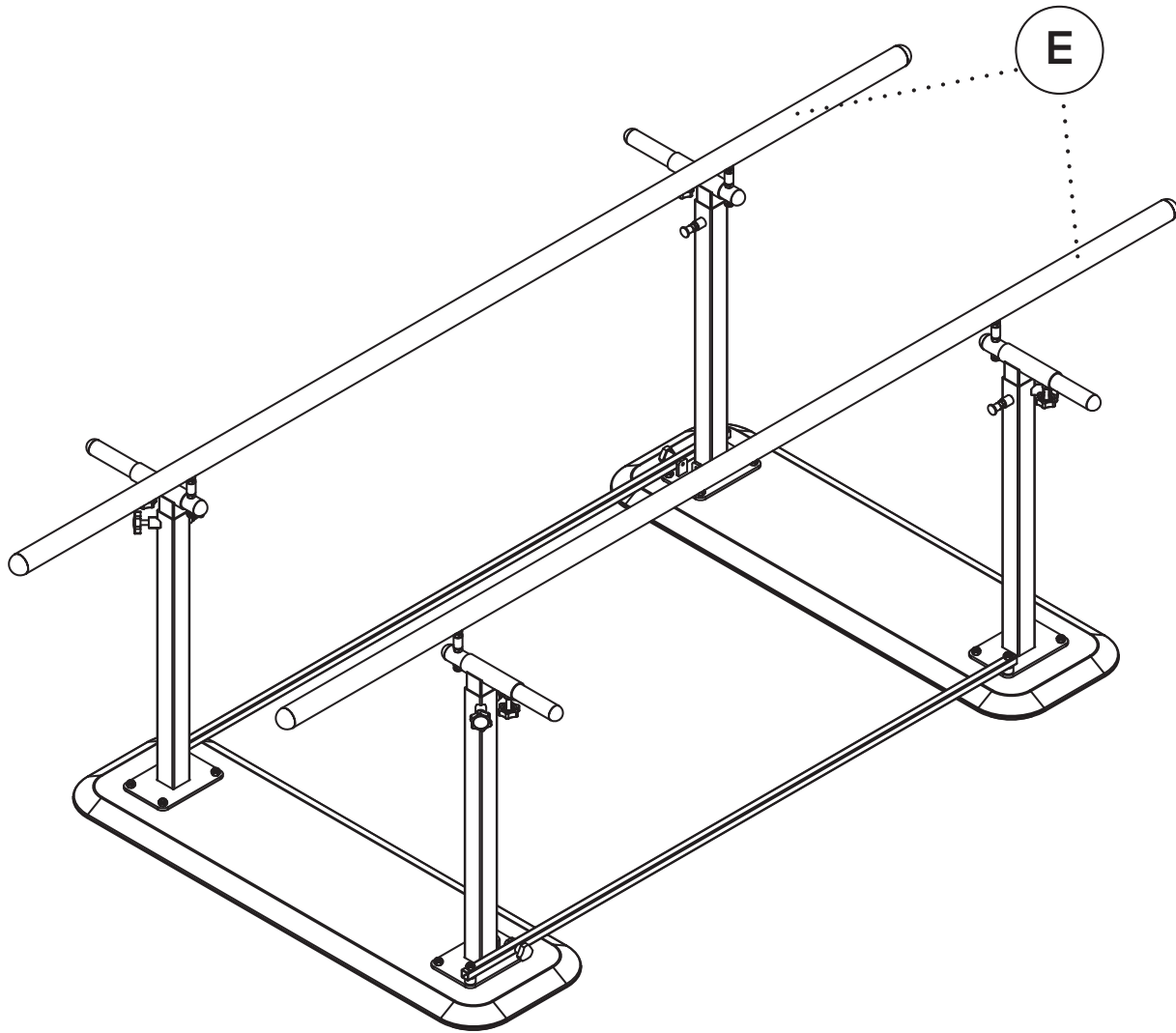
Step 6:

- A.** Insert the arm of the Parallel Bars (E) into the sleeve at the top of the Height Adjustment Legs (D), as pictured.
- B.** Adjust the Parallel Bars (E) to the appropriate position, then turn the M8*30mm Knobs (3) clockwise into the threaded hole below the sleeve, and tighten the M8*30mm Knobs (3) to lock the Parallel Bars (E) into place.



Step 7:

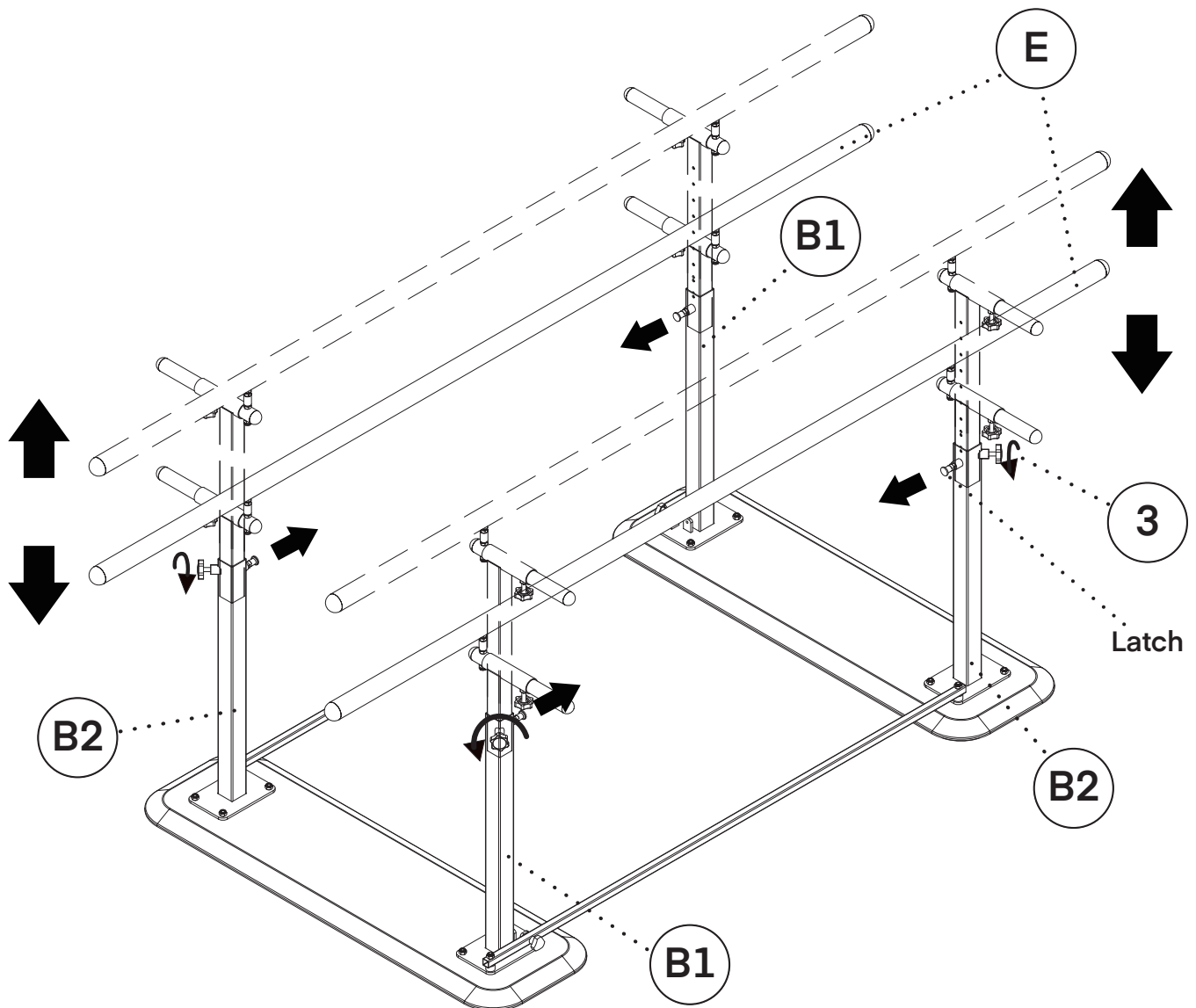
- A.** Please check the firmness of the Parallel Bars (E) before use. If it shakes, use an Open-End Wrench (4) to tighten each M8 Lock Nuts (1) clockwise and tighten all M6*20mm Knobs (2) and M8*30mm Knobs (3). Only use it after ensuring that the Parallel Bars (E) does not shake.
- B.** If the Parallel Bars (E) shake, please stop using it immediately, and recheck all the nuts and knobs.



Instructions For Use

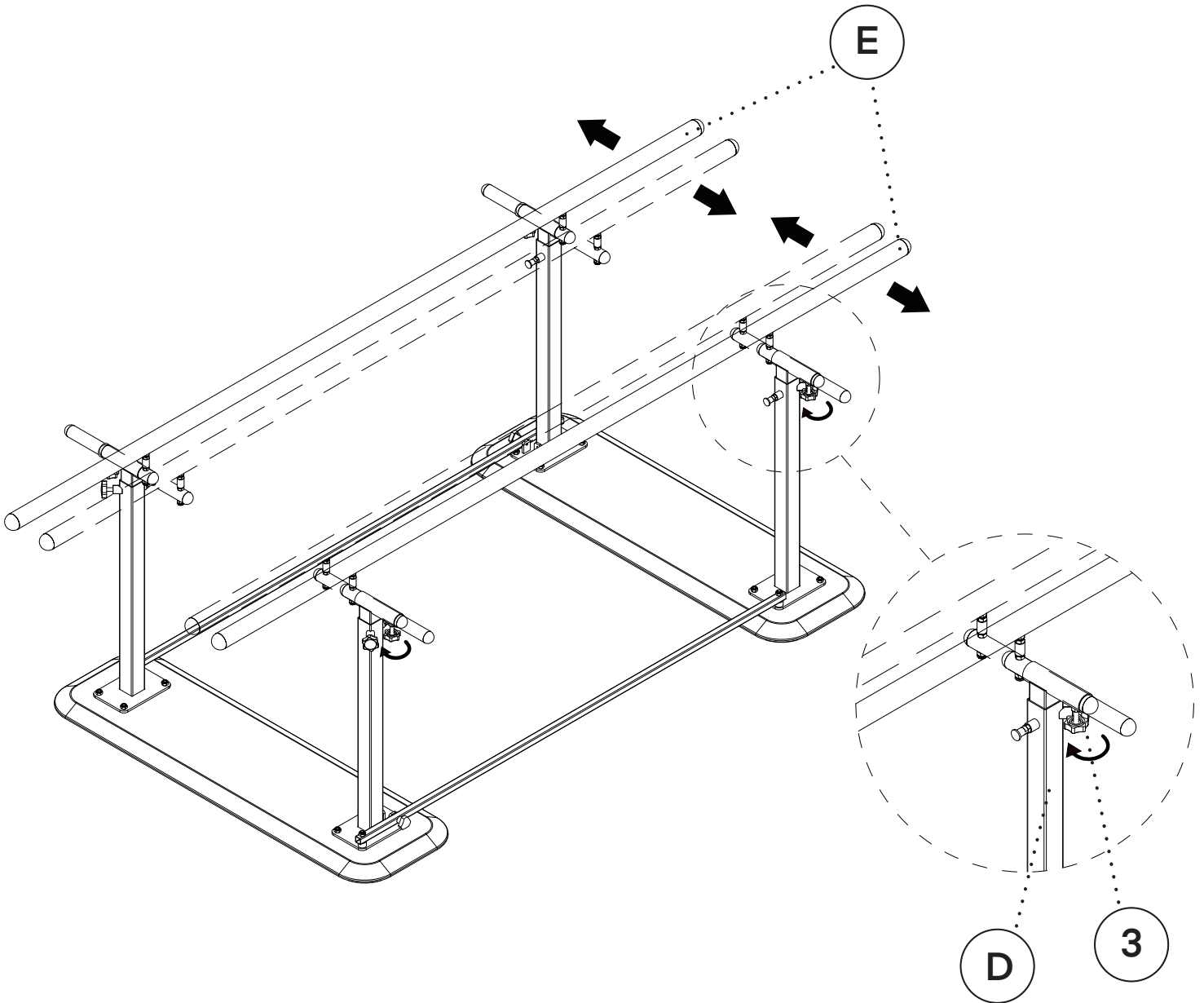
Height Adjustment

- A.** Pull out the latch on the side of the Metal Support Legs 1 and 2 (B1 and B2) and rotate it clockwise until it is unlocked.
- B.** Turn the M8*30mm Knobs (3) on the side of the Metal Support Legs 1 and 2 (B1 and B2) counterclockwise to loosen it.
- C.** Adjust the height of the Parallel Bars (E) to the desired position. Turn the latch counterclockwise until it locks into the socket on the Height Adjustment Legs (D), then tighten the knob clockwise.



Width Adjustment

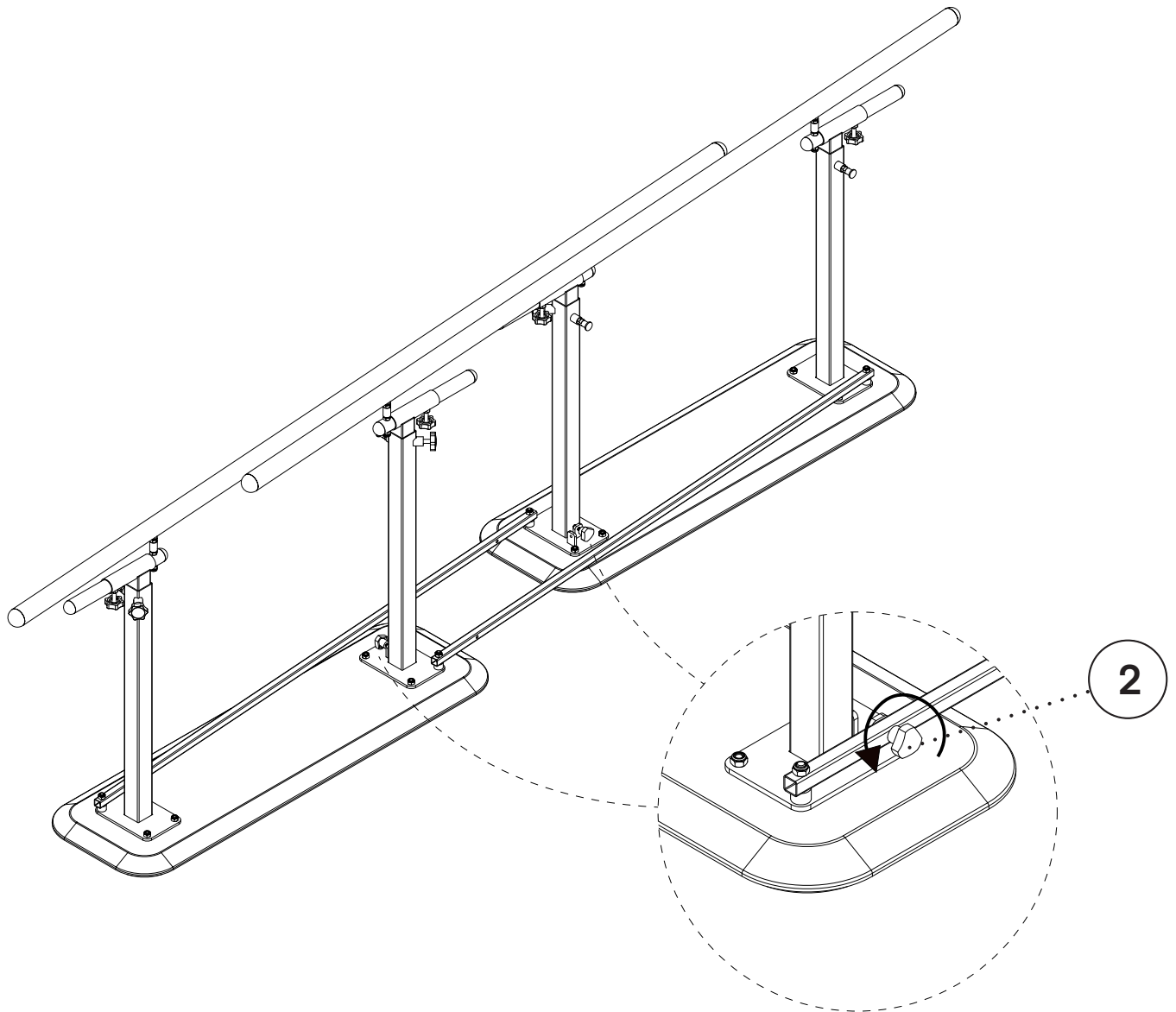
- A.** Rotate the four M8*30mm Knobs (3) below the sleeve at the upper end of the Height Adjustment Legs (D) counterclockwise to allow the Parallel Bars (E) to move freely laterally.
- B.** After adjusting the Parallel Bars (E) to the appropriate position. Tighten the all four M8*30mm Knobs (3) again and ensure that the Parallel Bars (E) are stable.



Folding Parallel Bars





Step 1:

- A. When not in use, turn and remove the M6*20mm Knobs (2).
- B. To fully compress the product for storage, lightly lift the assembled structure and slide the sides in opposite directions.




Safety Warning


A. The user is responsible for preventing damage to this product and injury to patients and/or users.


	WARNING: Indicates potential personal injury.
	Reminder: Keep away from moisture. This device needs to be moisture and waterproof.
	Reminder: Always place the packaging box in the correct direction during transportation, storage, and handling to avoid damage and safety problems caused by incorrect placement.
	Reminder: This product is fragile and needs to be handled with care.

B. Collapse Risk:

 If the patient's weight exceeds the working load, the parallel bars may fall.

C. Personnel Injured:

 Climbing on or playing on this equipment may cause the equipment to fall and further personal injury.

 When rehabilitation patients undergo rehabilitation training, they must be accompanied by a doctor to prevent them from falling and getting injured.

D. Usage and Storage Environment Conditions:

a. The ambient temperature requirement for using and storing the equipment is: 0-40°. If the equipment is exposed to an environment exceeding the specified temperature for a long time, it may cause the risk of plywood deformation or cracking.

b. The humidity requirement for equipment transportation, use and storage environment is: 20%~80%. If the equipment is exposed to an overly dry or humid environment for a long time, it may cause the risk of plywood deformation or cracking, as well as a risk of metal rusting.

c. The metal parts of the equipment are strictly prohibited from contacting liquid water, which may cause metal materials to rust.

d. The wooden base must not come into contact with or be immersed in water, as this may cause the wood to swell and become damaged.

E. Intended Use: Rehabilitation walking training

E. Other precautions:

a. It is strictly prohibited to approach fire sources.

b. Do not place it in direct sunlight.

c. Do not place it in high-temperature places such as heaters.

d. Patient Load Capacity: 500 lbs.

Care & Maintenance Guide

A. Metal and Plywood Maintenance:

a. A dry towel is recommended to wipe metal and plywood.

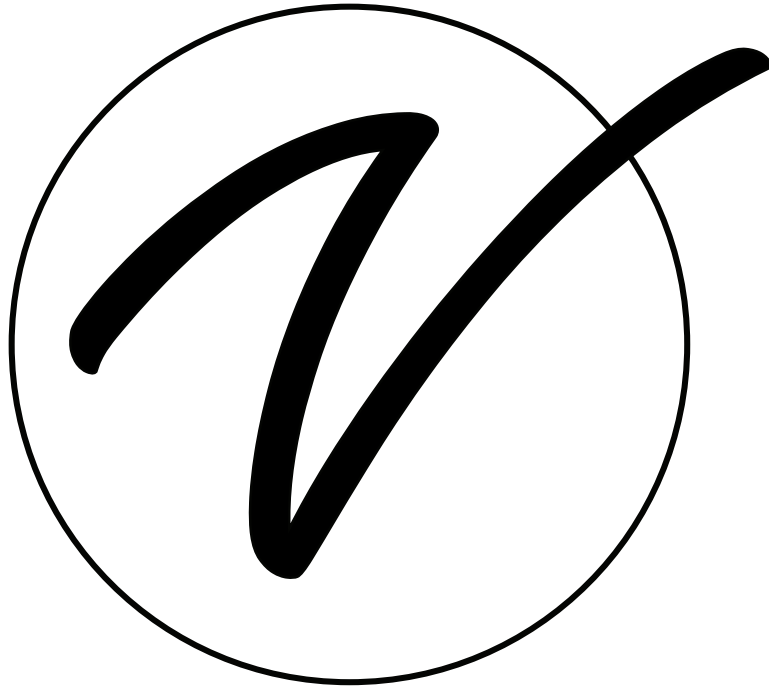
b. If disinfection is necessary, it is acceptable to use hypochlorous acid disinfectant or alcohol with a concentration below 70% to the maximum extent possible. Using highly corrosive disinfectants is prohibited for disinfection. Otherwise, the paint or wood veneer may be damaged.

B. Regular Maintenance:

a. Check the stability of the parallel bars before use. If there is any shaking, tighten the connecting knobs and nuts.

Warranty

1. Viva Comfort (the "Company" or "Tiger Companies") warrants to the purchaser that the product will be free from defects in workmanship and materials for a period of 1 year from the date of purchase. The warranty period is not extended if we repair, replace, exchange, or provide a refund for the product (as determined in our sole discretion). We may change the availability of this limited warranty at our discretion, but any changes will not be retroactive.
2. These warranties are not assignable or transferable to any other person, including, without limitation, any subsequent owner or other transferee of the product.
3. This Warranty does not apply to: (a) damage caused by misuse, tampering, abuse, neglect, or accident; (b) damage caused by improper installation, modification, or service; (c) alteration of the serial number; or (d) use that violates the instructions furnished by the Company will void this warranty.
4. The sole responsibility of the Company shall be limited to (a) the repair or replacement (in its sole discretion) of any component of the product which fails to conform to this; (b) a refund the purchase price of such product (in its sole discretion), at no cost to the purchaser for the period of the warranty, or (c) an exchange for a similar product, comparable in function and price.
5. Contact the Company directly at 1-(800)-805-1790 to obtain service under this warranty. If it becomes applicable to send a defective product to the Company, a Return Authorization Number must first be obtained from the Company. In order to obtain service under this warranty, purchaser may be required to provide the Company with the following items (a) proof of purchase, (b) photographs and or videos (of the damage, and (c) a written testimonial describing the defect.
6. Products shipped without prior Return Authorization and Return Authorization Number may not be accepted, and the Company will not be responsible for their disposition and/or cost of return to the owner.
7. The Company will not assume any responsibility for any loss or damage incurred in shipping and or delivery.
8. The product(s) must be returned within 14 calendar days of receiving the return authorization from the Company and must include the original proof of purchase for the warranty to be honored.
9. Any implied warranties that the purchaser may have are limited to the duration of the warranties described above. There are no further warranties that extend or apply beyond the face hereof, and the Company expressly disclaims and excludes any and all warranties of merchantability or fitness for a particular purpose. Some states do not allow limitations on how long an implied warranty lasts, so the above limitation may not apply to you.
10. THE REMEDIES DESCRIBED ABOVE ARE YOUR SOLE AND EXCLUSIVE REMEDIES AND THE COMPANY'S ENTIRE LIABILITY FOR ANY BREACH OF THIS LIMITED WARRANTY. OUR LIABILITY SHALL UNDER NO CIRCUMSTANCES EXCEED THE ACTUAL AMOUNT PAID BY YOU FOR THE DEFECTIVE PRODUCT, NOR SHALL WE UNDER ANY CIRCUMSTANCES BE LIABLE FOR ANY CONSEQUENTIAL, INCIDENTAL, SPECIAL OR PUNITIVE DAMAGES OR LOSSES, WHETHER DIRECT OR INDIRECT. SOME STATES DO NOT ALLOW THE EXCLUSION OR LIMITATIONS OF INCIDENTAL OR CONSEQUENTIAL DAMAGES, SO THE LIMITATION MAY NOT APPLY TO YOU.
11. This warranty gives you specific legal rights, and you may also have additional rights which vary from state to state.



ADIME905-01

© 2025 Viva Comfort

vivacomfort.com