



Adjustable Up & Down Steel Rehab Staircase



ADIME906-04-30



Get ready to take your physical therapy sessions to new heights with our innovative Adjustable Up & Down Steel Rehab Staircase. We've created these stairs exclusively for physical therapy use as they are a game-changer in the world of rehabilitation. Don't let their compact size fool you; they pack a punch with a plethora of features that therapists will adore, and they can fit in small or large-spaced practices. Each staircase is crafted with a sturdy combination of steel fasteners and metal braces to endure the test of time and intensive therapy sessions. Located on each main pressure point are steel upright supports that will ensure the handrails are stable for your patients. We've designed the handrail support system to be one-piece to guarantee a comfortable grip for patients. The adjustable metal handrails, reinforced with a rigid bolt-through mounting, offer safety and durability, but can be adjusted as needed.

To ensure the staircase surface is non-slip, we've added one full-width pieces of safety tread to each step and four full-width pieces to the platform. These safety treads will help your patients stay stable on their feet while they ascend and descend. With this straightforward design, you can prevent turning around altogether and walk a straight path instead. Whether you have limited space or require seamless, unidirectional movement, our staircase has got you covered. Don't delay; elevate your physical therapy practice with our exceptional Adjustable Up & Down Steel Rehab Staircase today.

Features

Capacity: With a 550 lb. bariatric load capacity, the staircase accommodates a wide range of patients with varying needs.

Step Design: Includes multiple steps with varying riser heights for safe, progressive training.

Step Depth: Wide, supportive steps to comfortably accommodate different shoe sizes and foot placements during training.

Non-Slip: Each step is fitted with a textured tread, reducing the risk of slips and ensuring safer use.

Layout: The design allows patients to ascend and descend without turning around on the staircase.

Therapy-Oriented Platform: It includes a spacious transition platform at the top, giving patients a safe resting point before turning to descend.

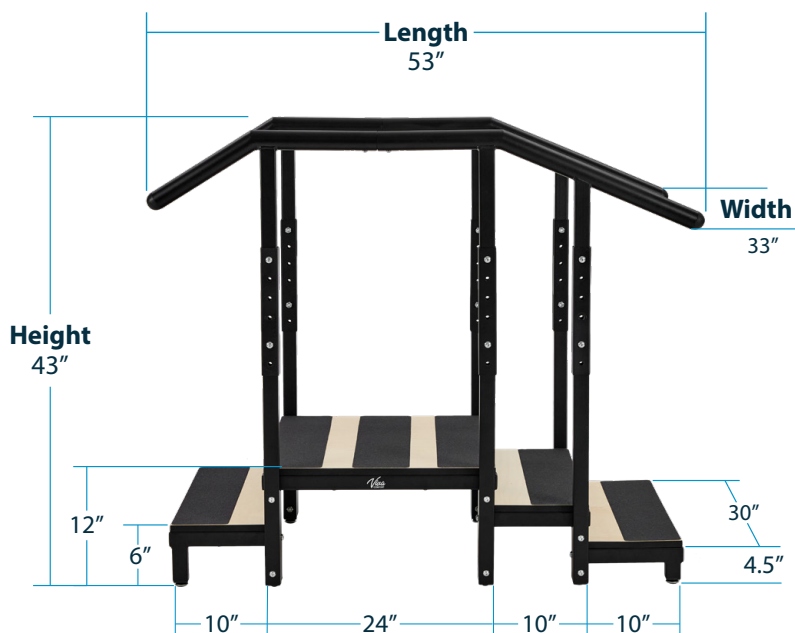
Accommodating: The handrail height can be adjusted, dependent on the patients' needs.

Durable: Reinforced frame and high-strength materials provide long-lasting stability while withstanding heavy daily use in clinical and athletic environments.

Integrated: Sturdy handrails run along both sides, offering secure support and enabling therapists to closely monitor patient safety during exercises.

Features

550 lbs.
weight
capacity



Two Sided with Two Height Options



Dual-Sided Adjustable Handrails



Non-Slip Safety Tread



Spacious Transition Platform



Wide Step Surface

Specifications

Dimensions	43" – 51" H x 33" W x 56" L
Weight	162 lbs.
Material	Plywood and Iron
Weight Capacity	550 lbs.
Clearance	A minimum of an 8' ceiling is required
Platform Dimensions	33" W x 23.5" D
1 Step Dimensions	6" H x 30" W x 9.7" D
2 Step 1st Step Dimensions	4.5" H x 30" W x 9.7" D
2 Step 2nd Step Dimensions	4.5" H x 30" W x 9.7" D
Handrail Height Adjustability	31" – 38.5"

