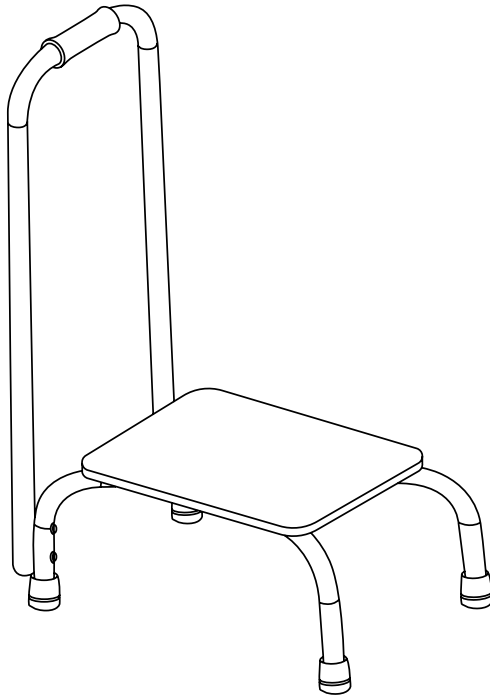


.....

# STEP STOOL WITH HANDRAIL

.....



**USER GUIDE**

**SKU: ADIME910-04-SERIES**



# Thank you for your purchase.



**Viva Essentials maintains a strong practice of ongoing development of products and commercial research.**

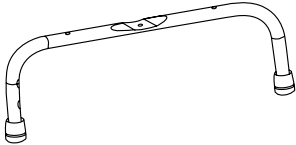
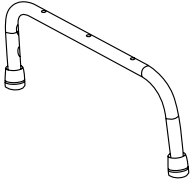

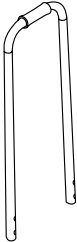


**We recognize that starting and maintaining a medical practice is expensive. We'll help make the process cost-effective and elegant. Additionally, our team of specialists will ensure everything you need works as efficiently as possible, so you can effectively treat your clients.**

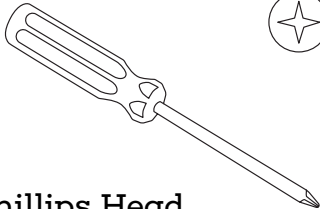

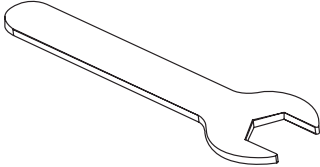
# Table of Contents

- 4 Parts List
- 4 Tools Needed (Not Included)
- 5 Hardware List
- 6 Assembly Instructions
- 9 Warranty

# Parts List

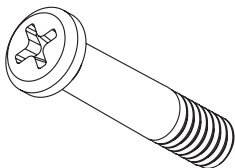
<p><b>A</b></p>  <p>Leg Assembly 1</p>	<p><b>B</b></p>  <p>Leg Assembly 2</p>
<p><b>C</b></p>  <p>Foot Stool Base</p>	<p><b>D</b></p>  <p>Handrail</p>

# Tools Needed (Not Included)

  <p>Phillips Head Screwdriver</p>	 <p>Wrench</p>
--	---

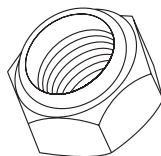
# Hardware List

1



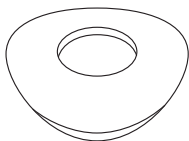
38mm Screw (x4)

2



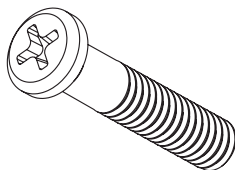
Nylon Insert Lock Nut  
(x5)

3



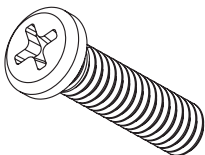
Washers (x13)

4



60mm Screw (x4)

5



30mm Screw (x1)

# Assembly Instructions

## Step 1:

**A.** Place Leg Assembly 1 (A) and Leg Assembly 2 (B) in the upright position, crisscrossing and overlapping them so that the flattened areas of the tubing meet at the center.

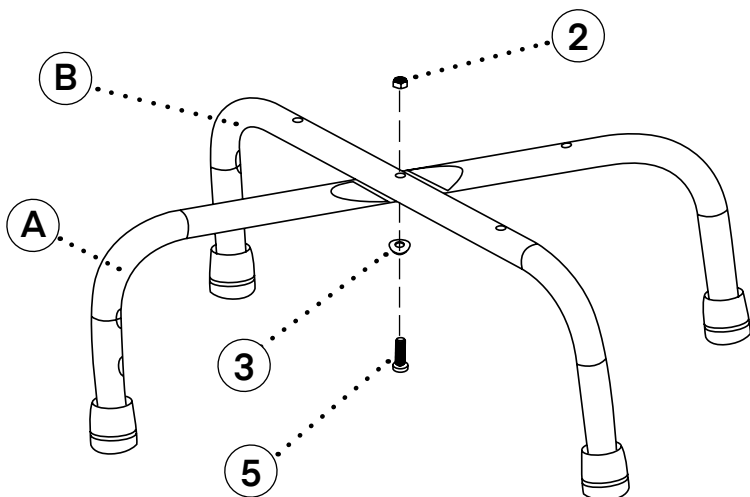
**a.** Leg Assembly 2 (B) must be positioned on top.

**IMPORTANT:** Ensure the side of both Leg Assemblies (A and B) with the handrail mounting holes are oriented to the left.

**B.** Insert the 30mm Screw (5) through the Washer (3). Then, push the screws up through both Leg Assemblies (A) and (B) from underneath, and secure the tops with a Nylon Insert Lock Nut (2) see below.

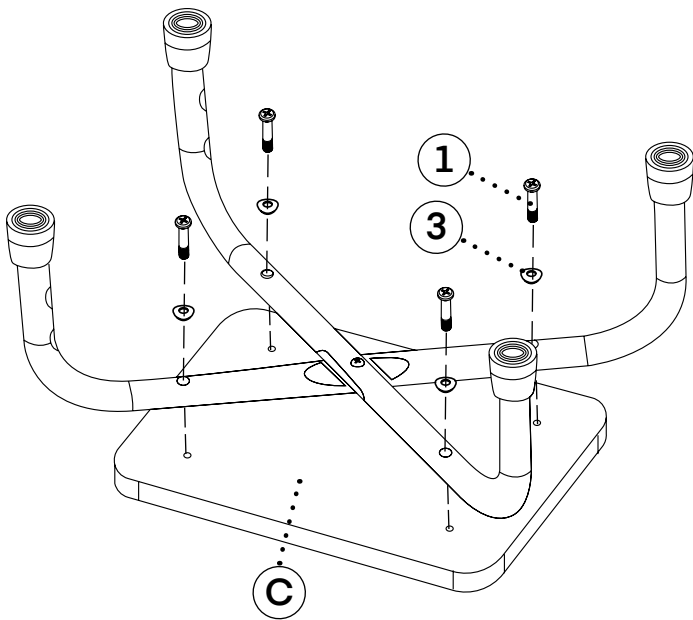
**C.** Using a Phillips head screwdriver, tighten the 30mm Screws (5) by turning clockwise with the supplied wrench secured on the Nylon Insert Lock Nut (2).

**NOTE:** Tighten the screw until it is snug, but stop before applying excessive force to avoid stripping the threads.



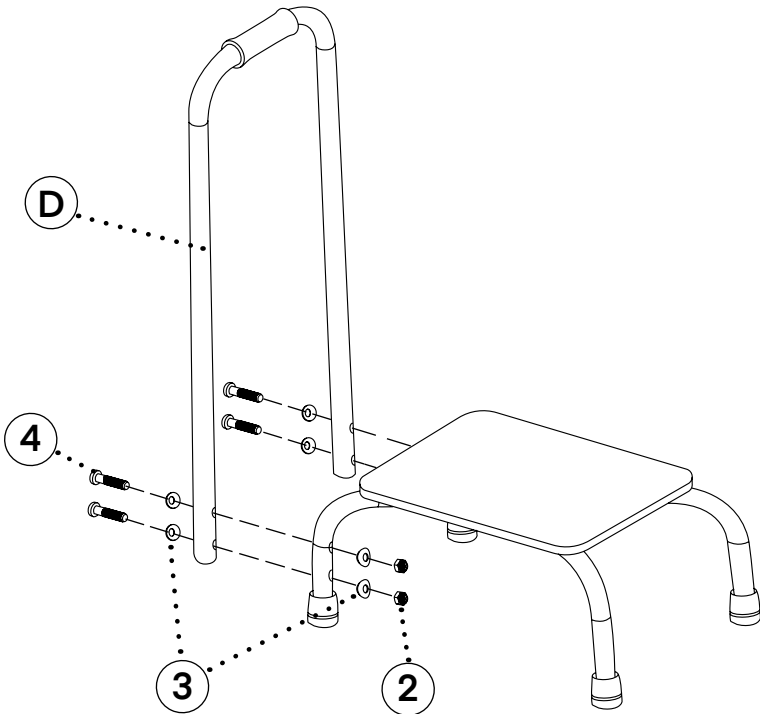
## Step 2:

- A.** Place the Foot Stool Base (C) upside down on a flat surface so that the screw holes are facing upward. Then, take the assembled legs (A and B, also upside down) and align the holes in the leg tubing with the threaded sockets in the Foot Stool Base (C).
- B.** Insert a 38mm Screw (1) through a Washer (3). Place this screw and washer into each aligned hole of the leg tubing.
- NOTE:** Ensure the convex side (outward curve) of the Washers (3) faces closest to the screw head. The concave side (inward curve) of the Washer should rest against the leg tubing section to fit the curve.
- C.** Using a Phillips head screwdriver, turn the 38mm Screws (1) clockwise to loosely install them into the sockets. Do not tighten completely yet; full tightening will be done in the next step.



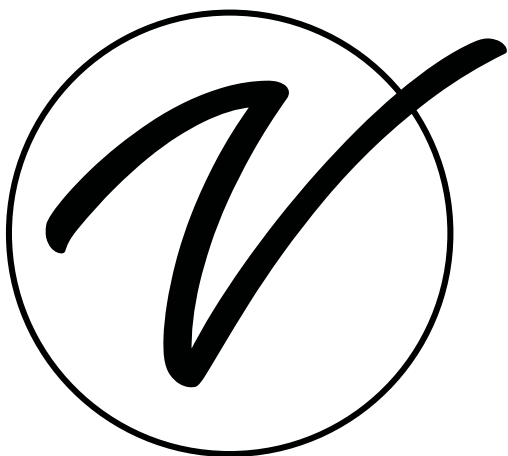
### Step 3:

- A. Align the Handrail (D) with the assembled foot stool so that the four holes in the Handrail's (D) tubing perfectly match the four holes in the two legs.
- B. Insert a 60mm Screw (4) through a Washer (3) and through the leg section, then add a second Washer (3) on the backside and secure it with a Nylon Insert Lock Nut (2); repeat this procedure for the remaining three holes.
- C. Using a Phillips head screwdriver and the included wrench, tighten each screw by turning the screwdriver clockwise.
  - a. Once all four are initially tightened, go back and ensure all remaining screws and nuts (including the leg base connection from Step 1 are securely tightened.)



# Warranty

1. Viva Comfort (the "Company" or "Tiger Companies") warrants to the purchaser that the product will be free from defects in workmanship and materials for a period of 1 year from the date of purchase. The warranty period is not extended if we repair, replace, exchange, or provide a refund for the product (as determined in our sole discretion). We may change the availability of this limited warranty at our discretion, but any changes will not be retroactive.
2. These warranties are not assignable or transferable to any other person, including, without limitation, any subsequent owner or other transferee of the product.
3. This Warranty does not apply to: (a) damage caused by misuse, tampering, abuse, neglect, or accident; (b) damage caused by improper installation, modification, or service; (c) alteration of the serial number; or (d) use that violates the instructions furnished by the Company will void this warranty.
4. The sole responsibility of the Company shall be limited to (a) the repair or replacement (in its sole discretion) of any component of the product which fails to conform to this; (b) a refund the purchase price of such product (in its sole discretion), at no cost to the purchaser for the period of the warranty, or (c) an exchange for a similar product, comparable in function and price.
5. Contact the Company directly at 1-(800)-805-1790 to obtain service under this warranty. If it becomes applicable to send a defective product to the Company, a Return Authorization Number must first be obtained from the Company. In order to obtain service under this warranty, purchaser may be required to provide the Company with the following items (a) proof of purchase, (b) photographs and or videos (of the damage, and (c) a written testimonial describing the defect.
6. Products shipped without prior Return Authorization and Return Authorization Number may not be accepted, and the Company will not be responsible for their disposition and/or cost of return to the owner.
7. The Company will not assume any responsibility for any loss or damage incurred in shipping and or delivery.
8. The product(s) must be returned within 14 calendar days of receiving the return authorization from the Company and must include the original proof of purchase for the warranty to be honored.
9. Any implied warranties that the purchaser may have are limited to the duration of the warranties described above. There are no further warranties that extend or apply beyond the face hereof, and the Company expressly disclaims and excludes any and all warranties of merchantability or fitness for a particular purpose. Some states do not allow limitations on how long an implied warranty lasts, so the above limitation may not apply to you.
10. THE REMEDIES DESCRIBED ABOVE ARE YOUR SOLE AND EXCLUSIVE REMEDIES AND THE COMPANY'S ENTIRE LIABILITY FOR ANY BREACH OF THIS LIMITED WARRANTY. OUR LIABILITY SHALL UNDER NO CIRCUMSTANCES EXCEED THE ACTUAL AMOUNT PAID BY YOU FOR THE DEFECTIVE PRODUCT, NOR SHALL WE UNDER ANY CIRCUMSTANCES BE LIABLE FOR ANY CONSEQUENTIAL, INCIDENTAL, SPECIAL OR PUNITIVE DAMAGES OR LOSSES, WHETHER DIRECT OR INDIRECT. SOME STATES DO NOT ALLOW THE EXCLUSION OR LIMITATIONS OF INCIDENTAL OR CONSEQUENTIAL DAMAGES, SO THE LIMITATION MAY NOT APPLY TO YOU.
11. This warranty gives you specific legal rights, and you may also have additional rights which vary from state to state.



**ADIME910-04-SERIES**

© 2025 Viva Essentials

**[vivacomfort.com](http://vivacomfort.com)**