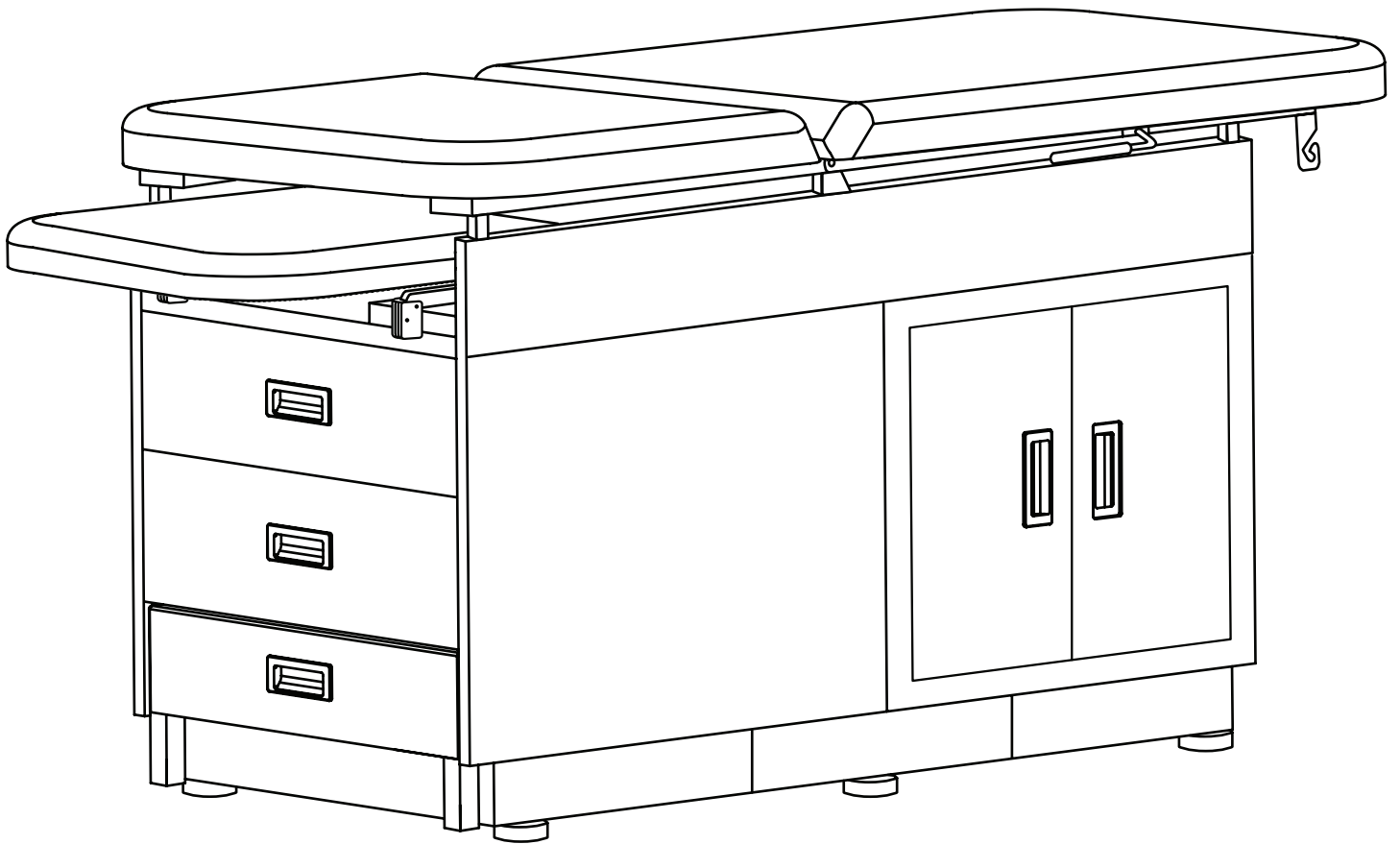


.....

GRANDE STEEL EXAM TABLE

.....



USER GUIDE

ADI996-09-SERIES



Thank you for your purchase.

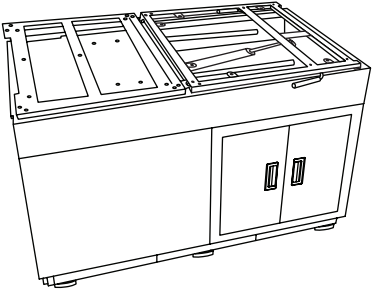
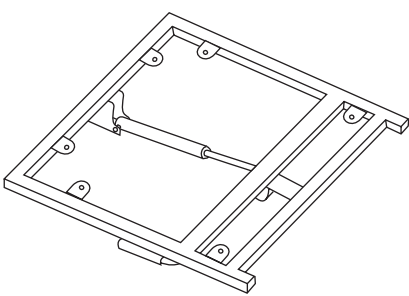
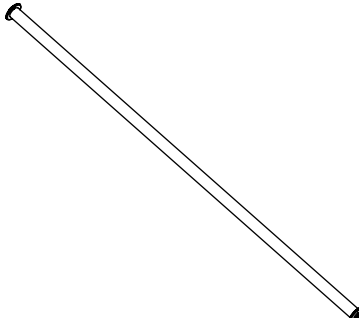
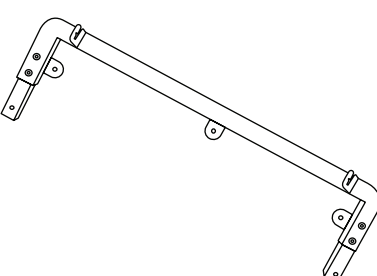
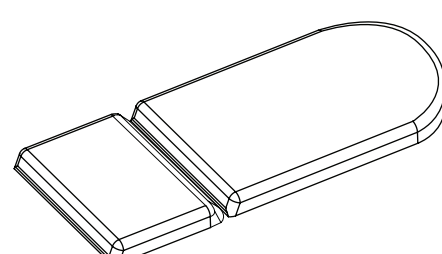
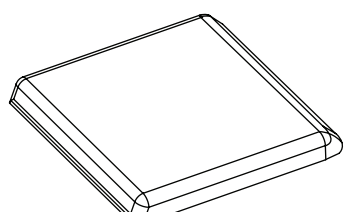
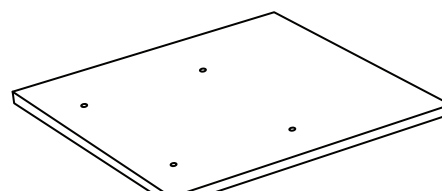
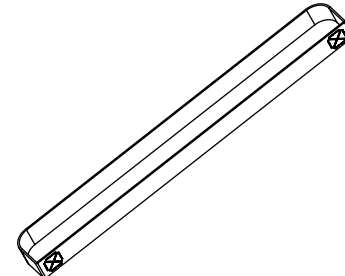
Viva Comfort maintains a strong practice of ongoing development of products and commercial research.

We recognize that starting and maintaining a medical practice is expensive. We'll help make the process cost-effective and elegant. Additionally, our team of specialists will ensure everything you need works as efficiently as possible, so you can effectively treat your clients.

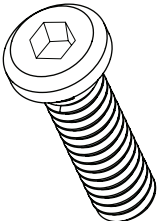
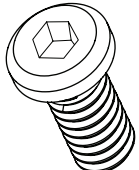
Table of Contents

2	Parts List
3	Hardware List
4	Assembly Instructions
10	Warranty
11	Notes

Parts List

<p>A</p>  <p>Exam Base</p>	<p>B</p>  <p>Backrest (Preinstalled)</p>
<p>C</p>  <p>Paper Dispenser</p>	<p>D</p>  <p>Knockdown Frame</p>
<p>E</p>  <p>Mattress</p>	<p>F</p>  <p>Pullout Mattress</p>
<p>G</p>  <p>Pullout Shelf (Preinstalled)</p>	<p>H</p>  <p>Paper Cutter</p>

Hardware List

1	 <p>M6*20mm Screw (x15)</p>
2	 <p>M6*12mm Screw (x4)</p>

Tools Needed For Assembly:



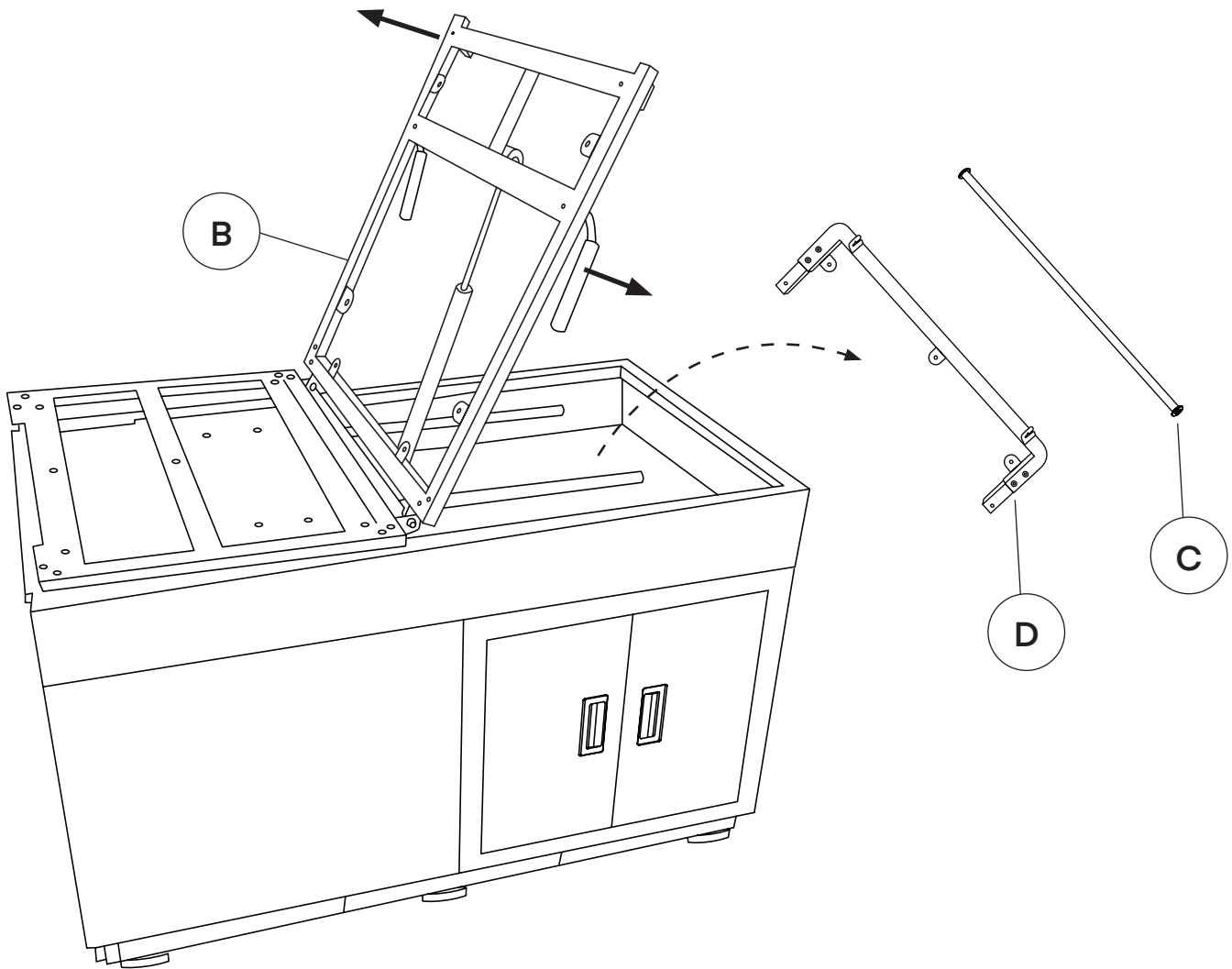
Assembly Instructions

Step 1:

- A. Remove all the packaging from the contents in the box.
 - a. Ensure you are working on a flat, clean surface.

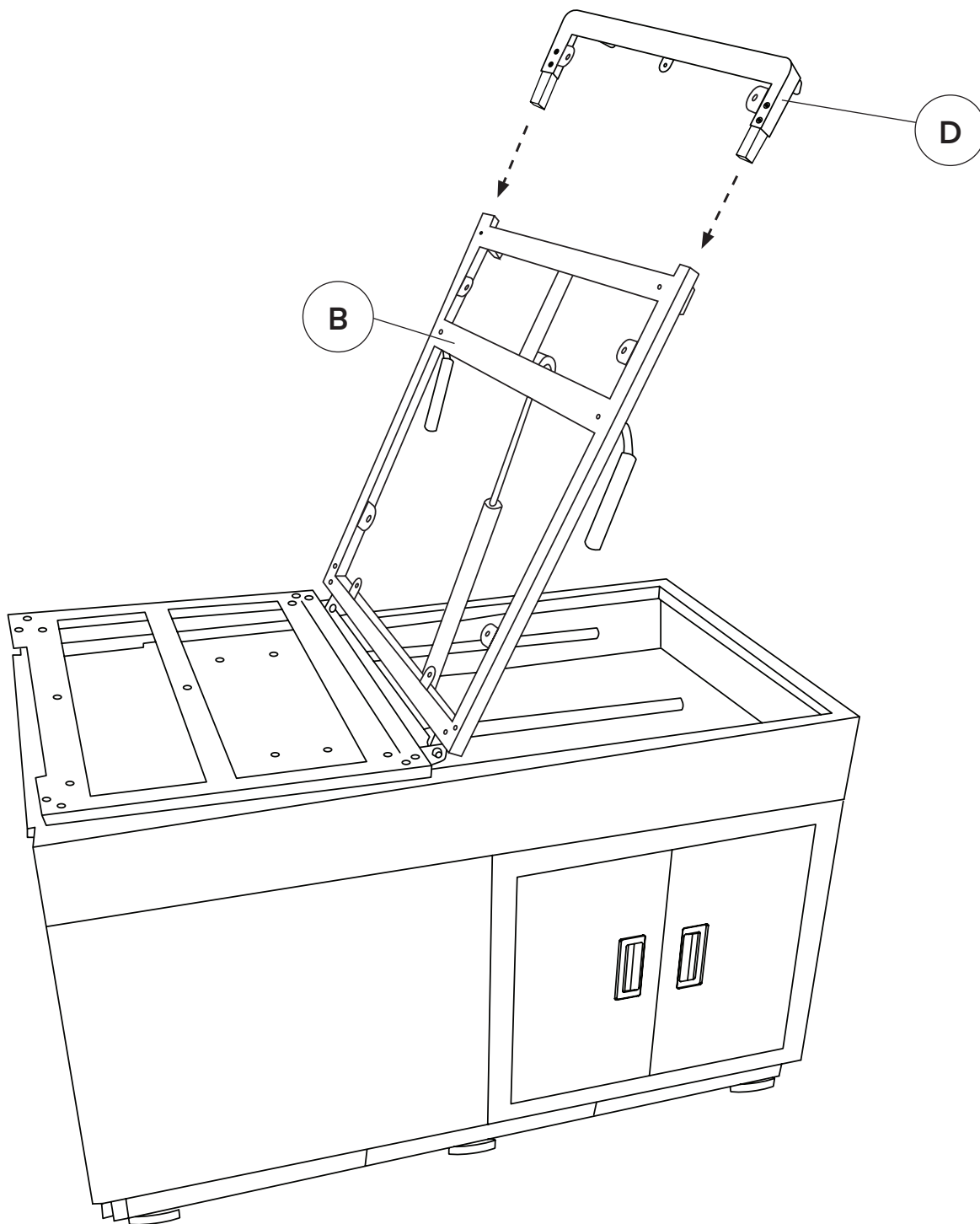
Step 2:

- A. To avoid injury, press the backrest frame up with one hand before depressing the yellow handle on the side of the frame.
- B. Guide the frame up and remove the Knockdown Frame (D) and the Paper Dispenser (C).



Step 3:

A. Insert the Knockdown Frame (D) by sliding it into the metal tubes of the Backrest (B), as pictured.



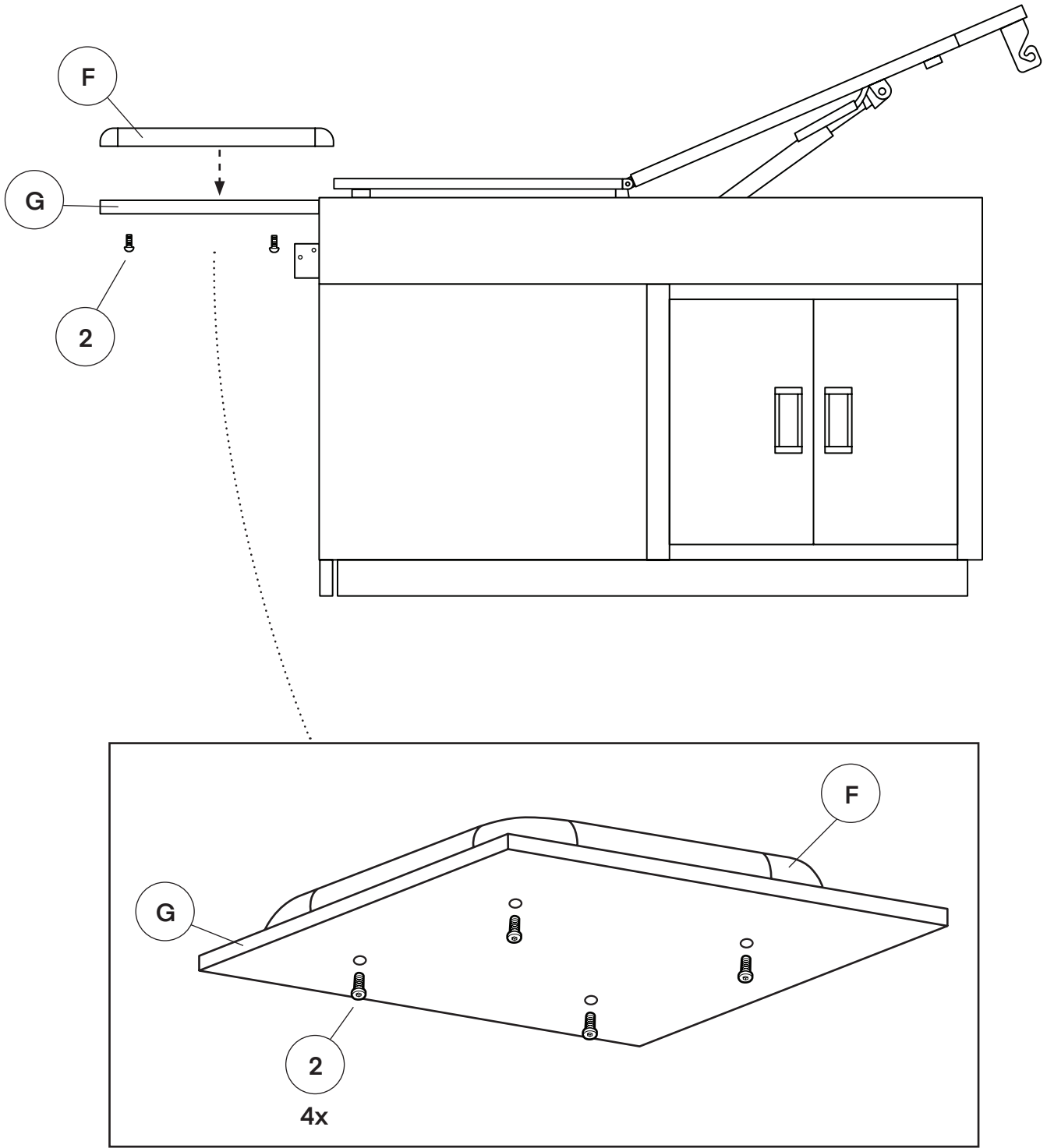
Step 4:

A. Remove the packaging from the mattresses and place them on a clean surface.

B. Place the Pullout Mattress (F) on the Pullout Shelf (G).

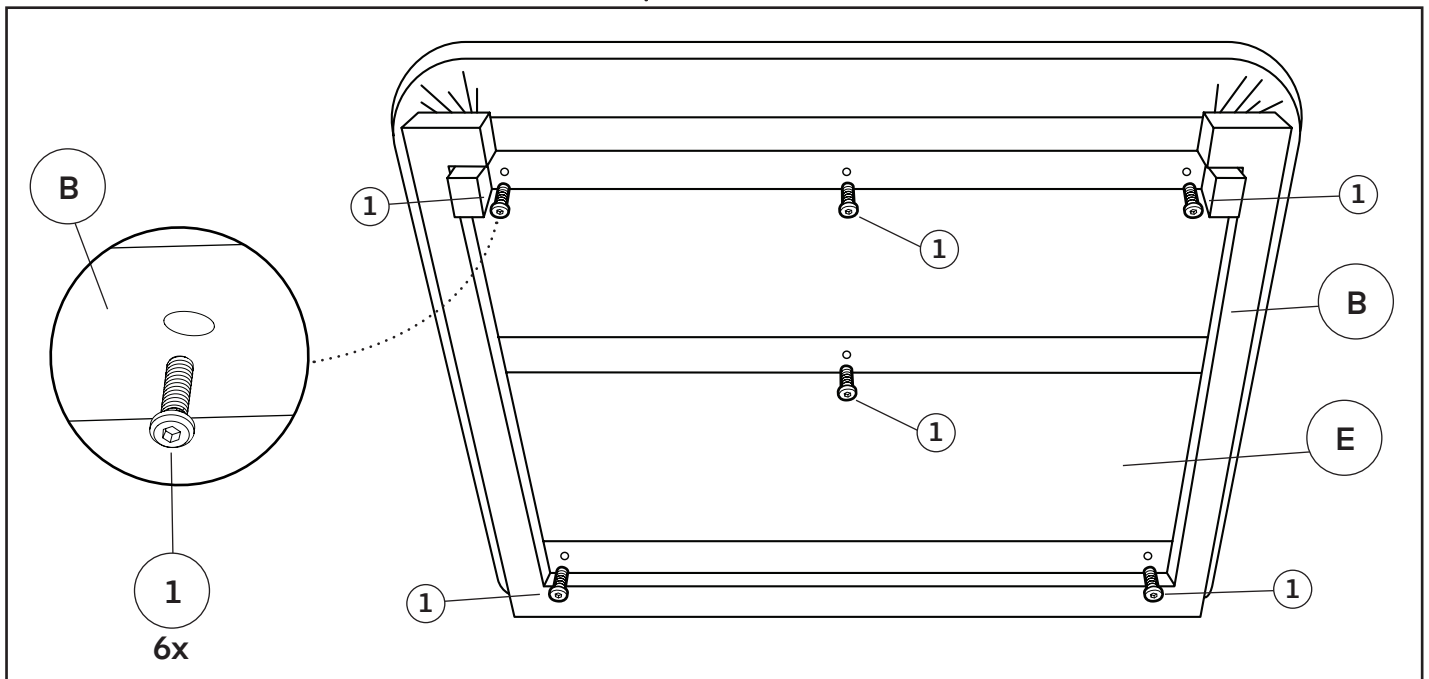
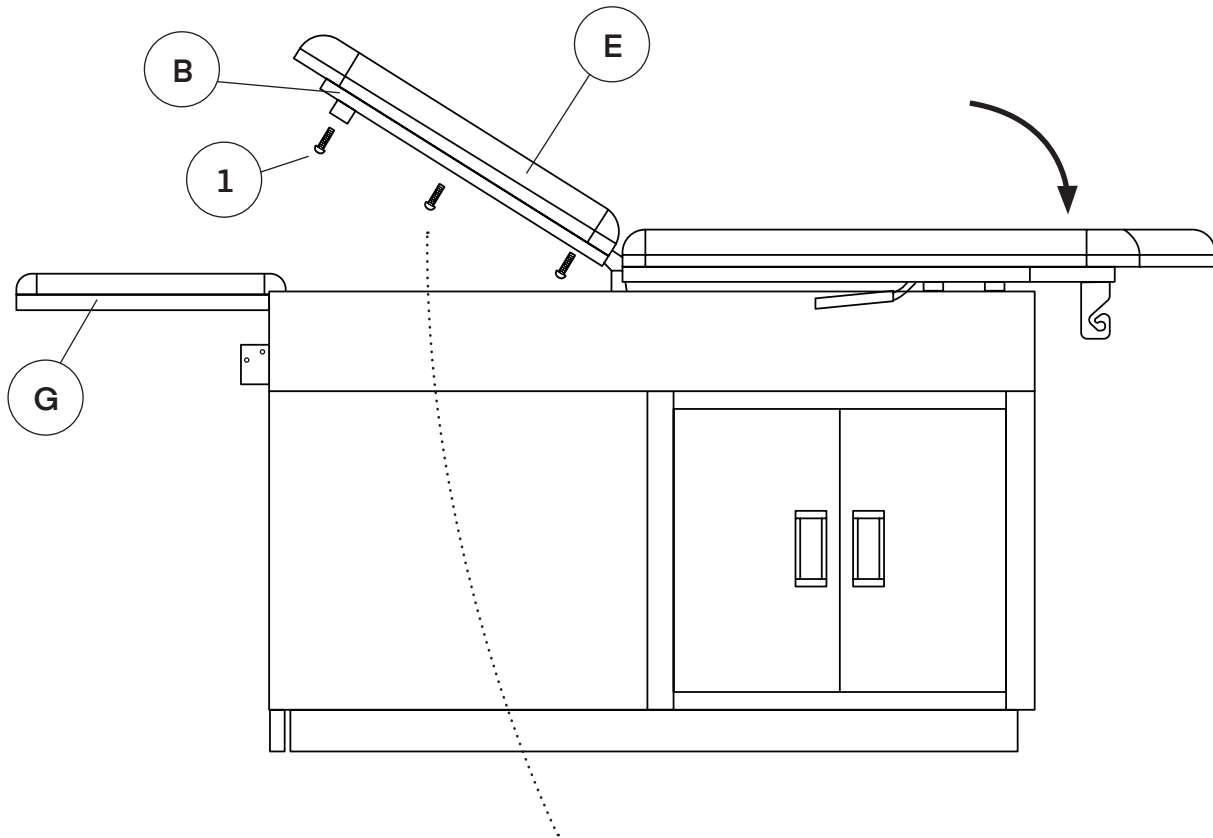
C. Insert four M6*12 mm Screws (2) through the bottom of the frame and into the Pullout Mattress (F).

a. Secure them in place utilizing the Hex Key.



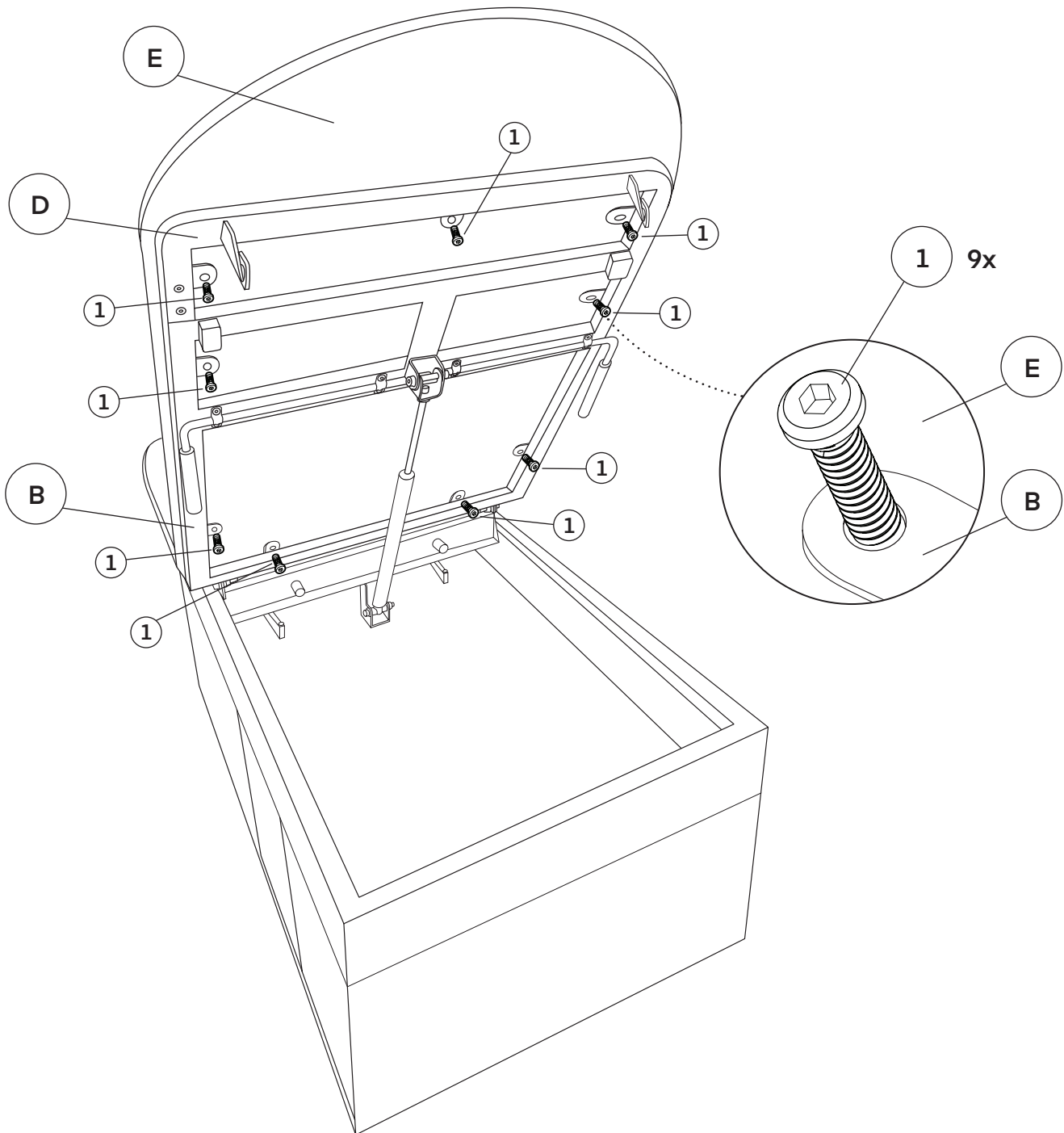
Step 5:

- A.** Guide your backrest down but depressing the yellow lever and guiding the frame down.
- B.** Take the Mattress (E) and lay it on top of the backrest.
- C.** Lift the kneeboard section of the frame, with part of the mattress, from the front, up on an angle, as shown.
- D.** Insert six M6*20 mm Screws (1) and secure them in place using the Hex Key.
 - a.** Completely push in the Pullout Shelf (G).
 - b.** Lower the kneeboard section down.



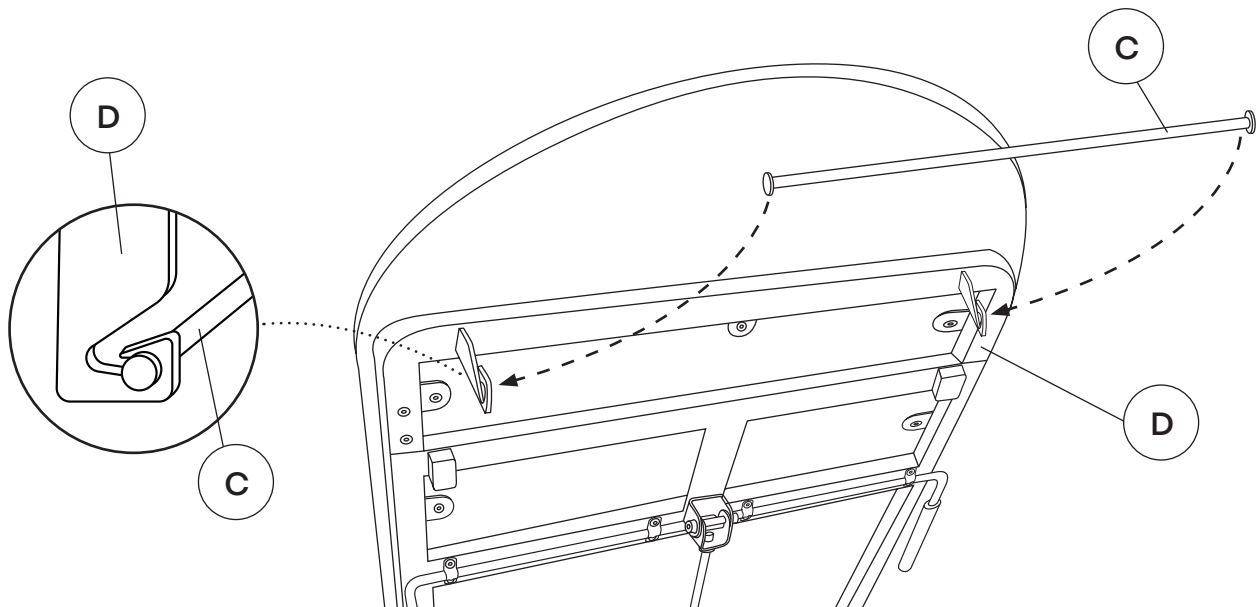
Step 6:

- A.** Depress the yellow handle again and raise the Backrest (B) up and lock it in a comfortable position.
- B.** Insert four M6*20 mm Screws (1) into the lowest part of the Backrest (B) as shown, and turn them only halfway with the Hex Key.
 - a.** Do not fully tighten them.
- C.** Insert two M6* 20 mm Screws (1) into the middle part of the Backrest (B) as shown, and turn them only halfway with the Hex Key.
 - a.** Do not fully tighten them.
- D.** Insert three M6* 20 mm Screws (1) into the upper part of the Backrest (B) as shown.
 - a.** Secure the screws in place and then tighten the screws from substep's B. and C.



Step 7:

- A.** Insert the Paper Dispenser (C) by placing it between the hooks located on each side of the Knockdown Frame (D).

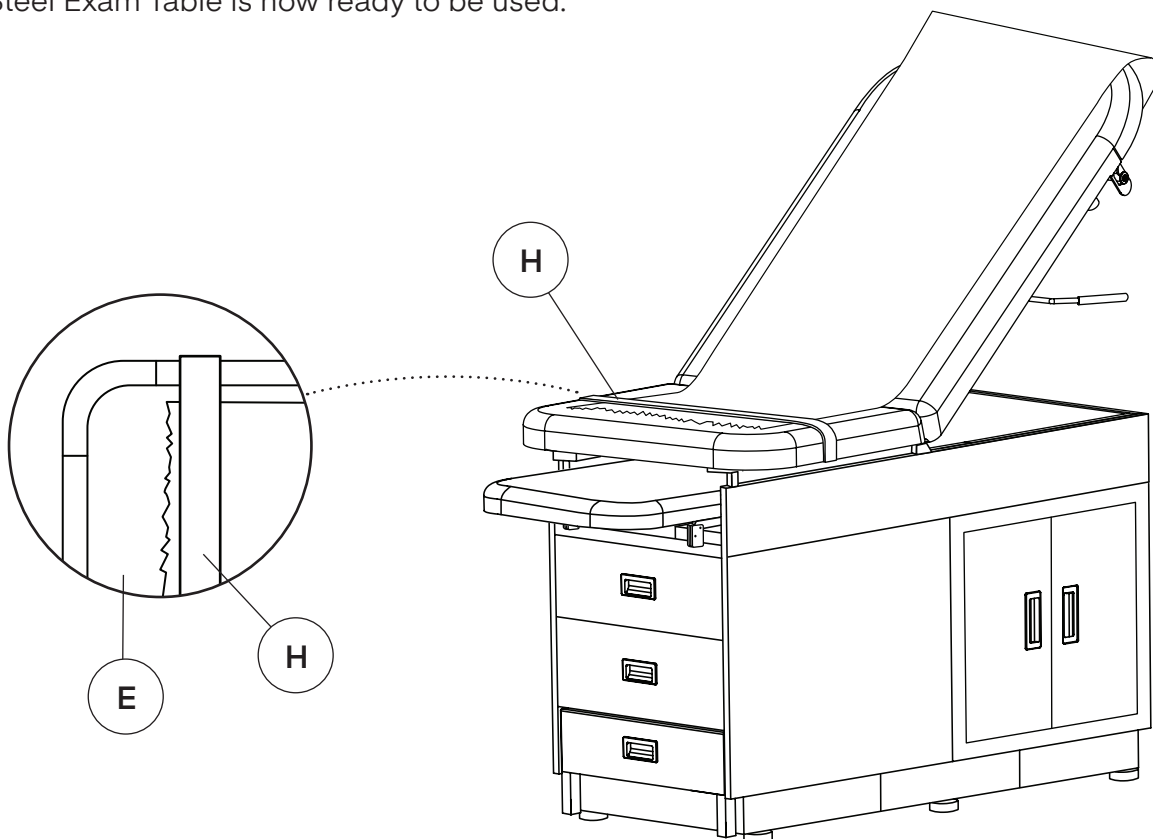


Step 8:

- A.** Insert the Paper Cutter (H) over the kneeboard section as shown.

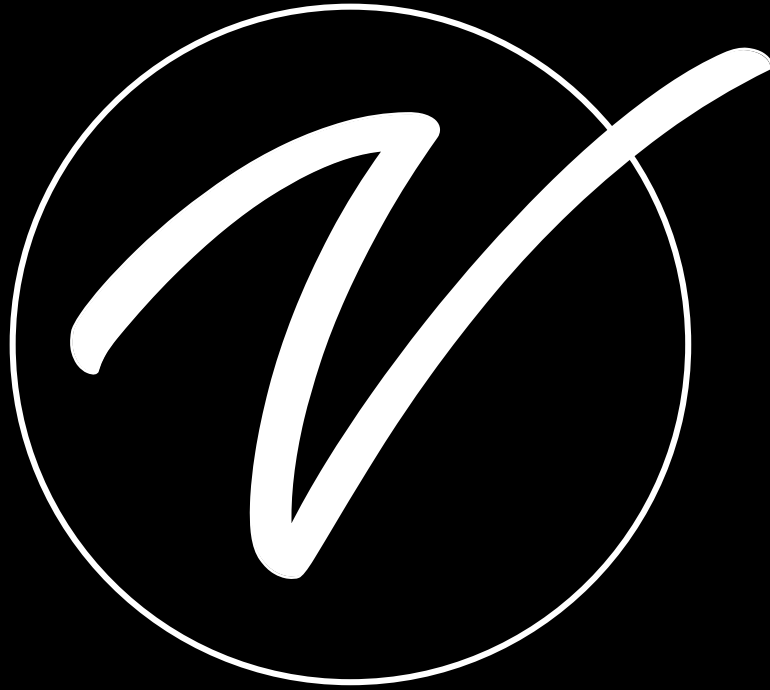
- a.** Once you install your paper roll, slide the paper underneath the Paper Cutter (H).

- B.** Your Steel Exam Table is now ready to be used.



Warranty

1. Viva Comfort (the "Company" or "Tiger Companies") warrants to the purchaser that the product will be free from defects in workmanship and materials for a period of 1 year from the date of purchase. The warranty period is not extended if we repair, replace, exchange, or provide a refund for the product (as determined in our sole discretion). We may change the availability of this limited warranty at our discretion, but any changes will not be retroactive.
2. These warranties are not assignable or transferable to any other person, including, without limitation, any subsequent owner or other transferee of the product.
3. This Warranty does not apply to: (a) damage caused by misuse, tampering, abuse, neglect, or accident; (b) damage caused by improper installation, modification, or service; (c) alteration of the serial number; or (d) use that violates the instructions furnished by the Company will void this warranty.
4. The sole responsibility of the Company shall be limited to (a) the repair or replacement (in its sole discretion) of any component of the product which fails to conform to this; (b) a refund the purchase price of such product (in its sole discretion), at no cost to the purchaser for the period of the warranty, or (c) an exchange for a similar product, comparable in function and price.
5. Contact the Company directly at 1-(800)-805-1790 to obtain service under this warranty. If it becomes applicable to send a defective product to the Company, a Return Authorization Number must first be obtained from the Company. In order to obtain service under this warranty, purchaser may be required to provide the Company with the following items (a) proof of purchase, (b) photographs and or videos (of the damage, and (c) a written testimonial describing the defect.
6. Products shipped without prior Return Authorization and Return Authorization Number may not be accepted, and the Company will not be responsible for their disposition and/or cost of return to the owner.
7. The Company will not assume any responsibility for any loss or damage incurred in shipping and or delivery.
8. The product(s) must be returned within 14 calendar days of receiving the return authorization from the Company and must include the original proof of purchase for the warranty to be honored.
9. Any implied warranties that the purchaser may have are limited to the duration of the warranties described above. There are no further warranties that extend or apply beyond the face hereof, and the Company expressly disclaims and excludes any and all warranties of merchantability or fitness for a particular purpose. Some states do not allow limitations on how long an implied warranty lasts, so the above limitation may not apply to you.
10. THE REMEDIES DESCRIBED ABOVE ARE YOUR SOLE AND EXCLUSIVE REMEDIES AND THE COMPANY'S ENTIRE LIABILITY FOR ANY BREACH OF THIS LIMITED WARRANTY. OUR LIABILITY SHALL UNDER NO CIRCUMSTANCES EXCEED THE ACTUAL AMOUNT PAID BY YOU FOR THE DEFECTIVE PRODUCT, NOR SHALL WE UNDER ANY CIRCUMSTANCES BE LIABLE FOR ANY CONSEQUENTIAL, INCIDENTAL, SPECIAL OR PUNITIVE DAMAGES OR LOSSES, WHETHER DIRECT OR INDIRECT. SOME STATES DO NOT ALLOW THE EXCLUSION OR LIMITATIONS OF INCIDENTAL OR CONSEQUENTIAL DAMAGES, SO THE LIMITATION MAY NOT APPLY TO YOU.
11. This warranty gives you specific legal rights, and you may also have additional rights which vary from state to state.



ADI996-09-SERIES

© 2023 Viva Comfort

vivacomfort.com