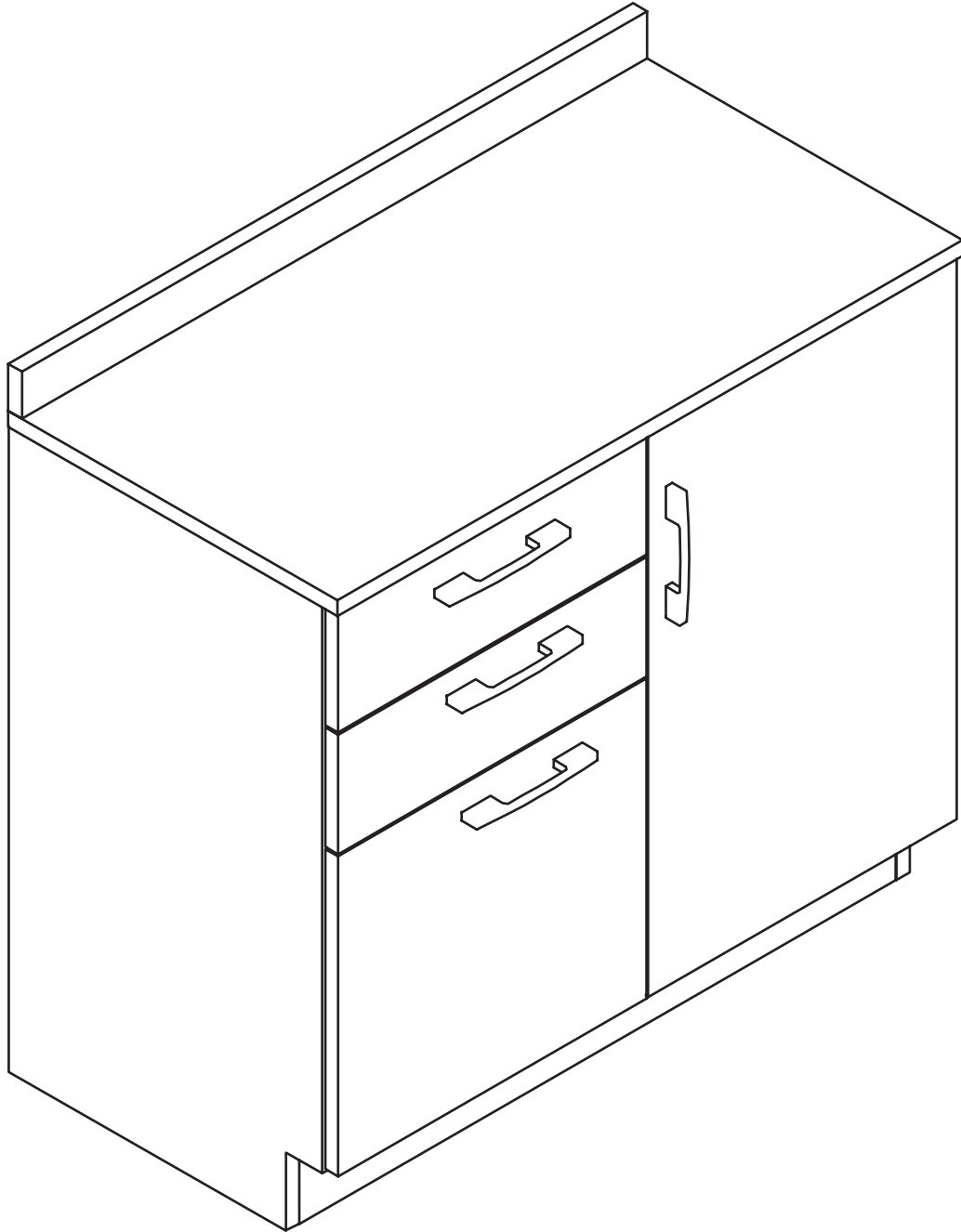


.....

36 INCH COUNTERTOP

.....



ADIME902-BASE-36-NS-GRY

USER GUIDE



Thank you for your purchase.

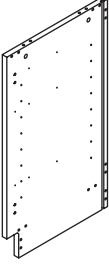
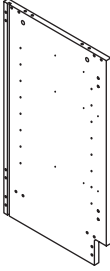
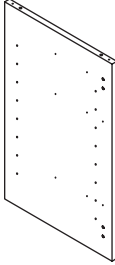
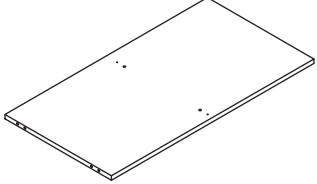
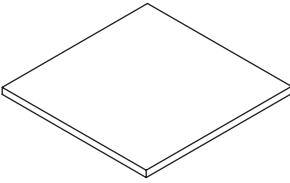
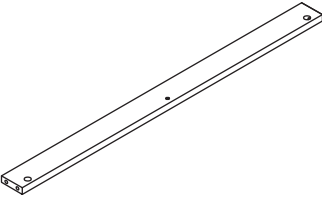
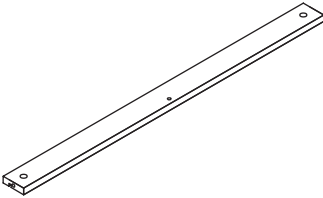
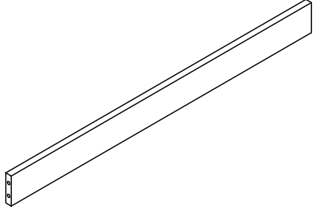
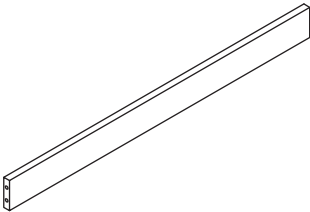
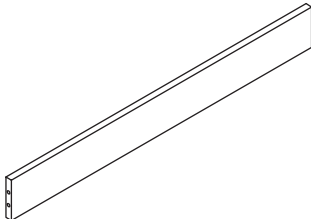
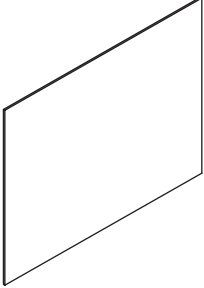
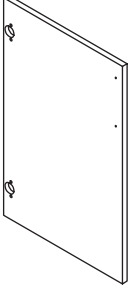
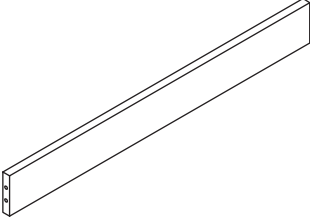
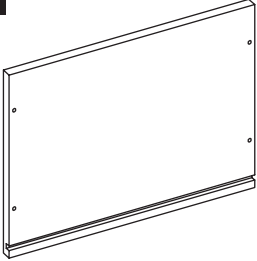
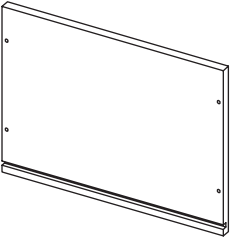
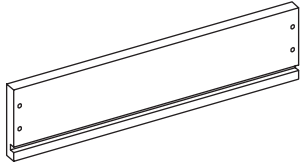
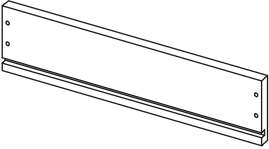
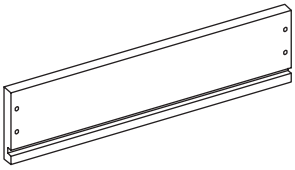
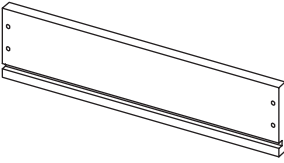
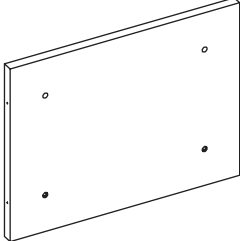
Viva Comfort maintains a strong practice of ongoing development of products and commercial research.

We recognize that starting and maintaining a medical practice is expensive. We'll help make the process cost-effective and elegant. Additionally, our team of specialists will ensure everything you need works as efficiently as possible, so you can effectively treat your clients.

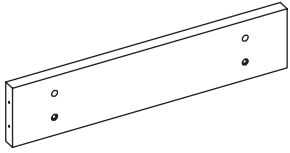
Table of Contents

- 2** Parts
- 4** Hardware
- 5** Assembling Instructions
- 21** Warranty

Parts

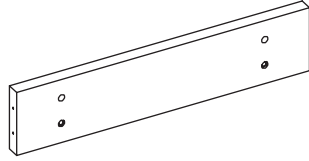
<p>1</p>  <p>Left Side Panel</p>	<p>2</p>  <p>Right Side Panel</p>	<p>3</p>  <p>Middle Panel</p>	<p>4</p>  <p>Bottom Panel</p>
<p>5</p>  <p>Removable Shelf</p>	<p>6</p>  <p>Top Front Rail</p>	<p>7</p>  <p>Top Back Rail 1</p>	<p>8</p>  <p>Top Back Rail</p>
<p>9</p>  <p>Center Back Rail</p>	<p>10</p>  <p>Bottom Back Rail</p>	<p>11</p>  <p>Back Panel</p>	<p>12</p>  <p>Right Door</p>
<p>13</p>  <p>Toe Kick</p>	<p>14</p>  <p>Drawer 1 Left Side</p>	<p>15</p>  <p>Drawer 1 Right Side</p>	<p>16</p>  <p>Drawer 2 Left Side</p>
<p>17</p>  <p>Drawer 2 Right Side</p>	<p>18</p>  <p>Drawer 3 Left Side</p>	<p>19</p>  <p>Drawer 3 Right Side</p>	<p>20</p>  <p>Drawer 1 Front</p>

21



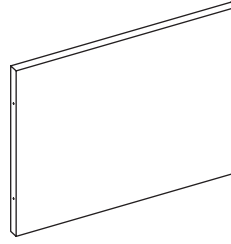
Drawer 2 Front

22



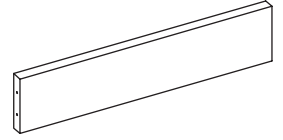
Drawer 3 Front

23



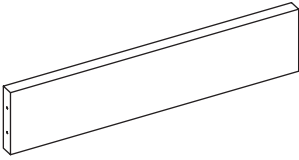
Drawer 1 Back

24



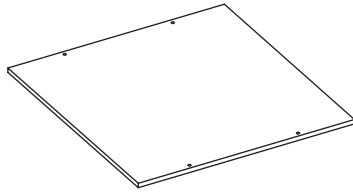
Drawer 2 Back

25



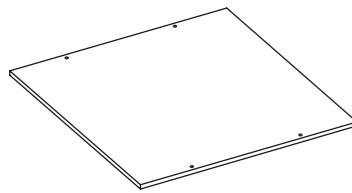
Drawer 3 Back

26



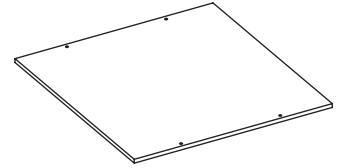
Drawer 1 Bottom

27



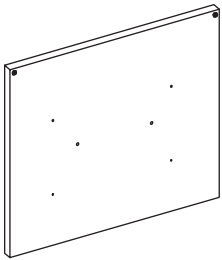
Drawer 2 Bottom

28



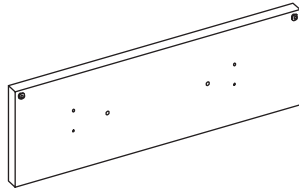
Drawer 3 Bottom

29



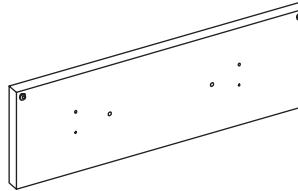
Drawer 1 Face

30



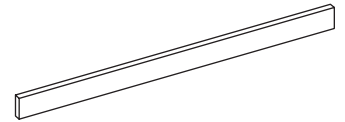
Drawer 2 Face

31



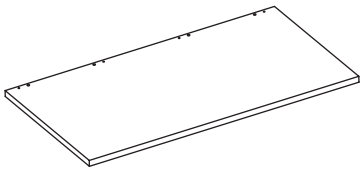
Drawer 3 Face

32



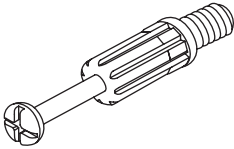
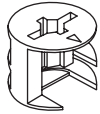
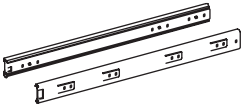
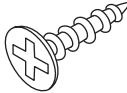
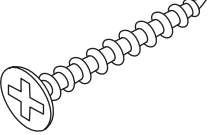
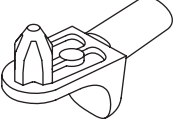
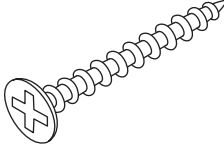
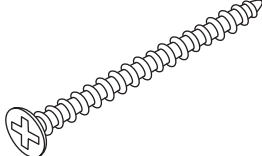
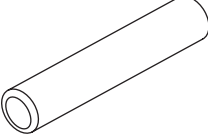
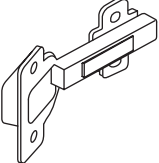
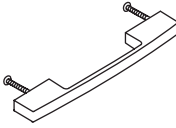
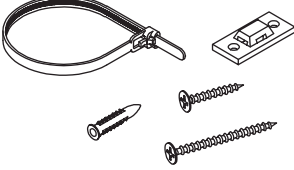


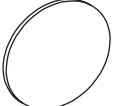
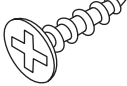
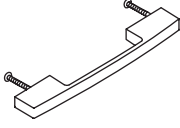
Top Filler

33

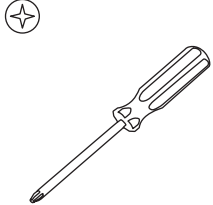
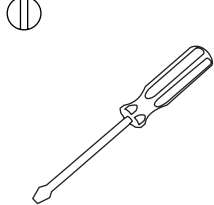
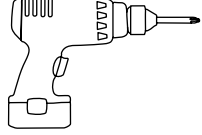
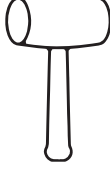


Top

Hardware

<p>A</p>  <p>Cam Lock Bolts (x22)</p>	<p>B</p>  <p>Cam Locks (x22)</p>	<p>C</p>  <p>Ball Bearing Drawer Slides (x3)</p>	<p>D</p>  <p>For Hinges Ø4x15 mm Wooden Screw (x24)</p>
<p>E</p>  <p>Ø4x28mm Wooden Screw (x6)</p>	<p>F</p>  <p>Shelf Support (x4)</p>	<p>G</p>  <p>Ø4x30mm Wooden Screw (x18)</p>	<p>H</p>  <p>Ø4x40mm Wooden Screw (x30)</p>
<p>I</p>  <p>Wooden Dowel (x24)</p>	<p>J</p>  <p>Hinge (x2)</p>	<p>K</p>  <p>Drawer Handle (x2) Ø4x23.5mm Screw (x4)</p>	<p>L</p>  <p>Antitip (x2)</p>
<p>M</p>  <p>Plastic Nail (x10)</p>	<p>N</p>  <p>Sticker 1 (x30)</p>	<p>O</p>  <p>Sticker 2 (x24)</p>	<p>P</p>  <p>For Drawer Slides Ø3.5x15 mm Wooden Screw (x36)</p>
<p>Q</p>  <p>Door and Drawer Handle (x2) Ø4x25mm Screw (x4)</p>			

Tools Needed (But Not Included):

 <p>Phillips Head Screwdriver</p>	 <p>Flat Head Screwdriver</p>	 <p>Electric Screwdriver</p>	 <p>Rubber Mallet</p>
--	--	---	---

Hardware Specifications:

- Ball Bearing Drawer Slides
- Ø4x15 mm Wooden Screw
- Ø4x28mm Wooden Screw
- Ø4x23.5mm Wooden Screw
- Ø4x25mm Wooden Screw
- Ø4x30mm Wooden Screw
- Ø4x40mm Wooden Screw
- Ø3.5x15mm Wooden Screw
- Ø15*13mm Cam Lock
- Ø8*35mm Cam Lock Bolt
- Ø8x40mm Wooden Dowel

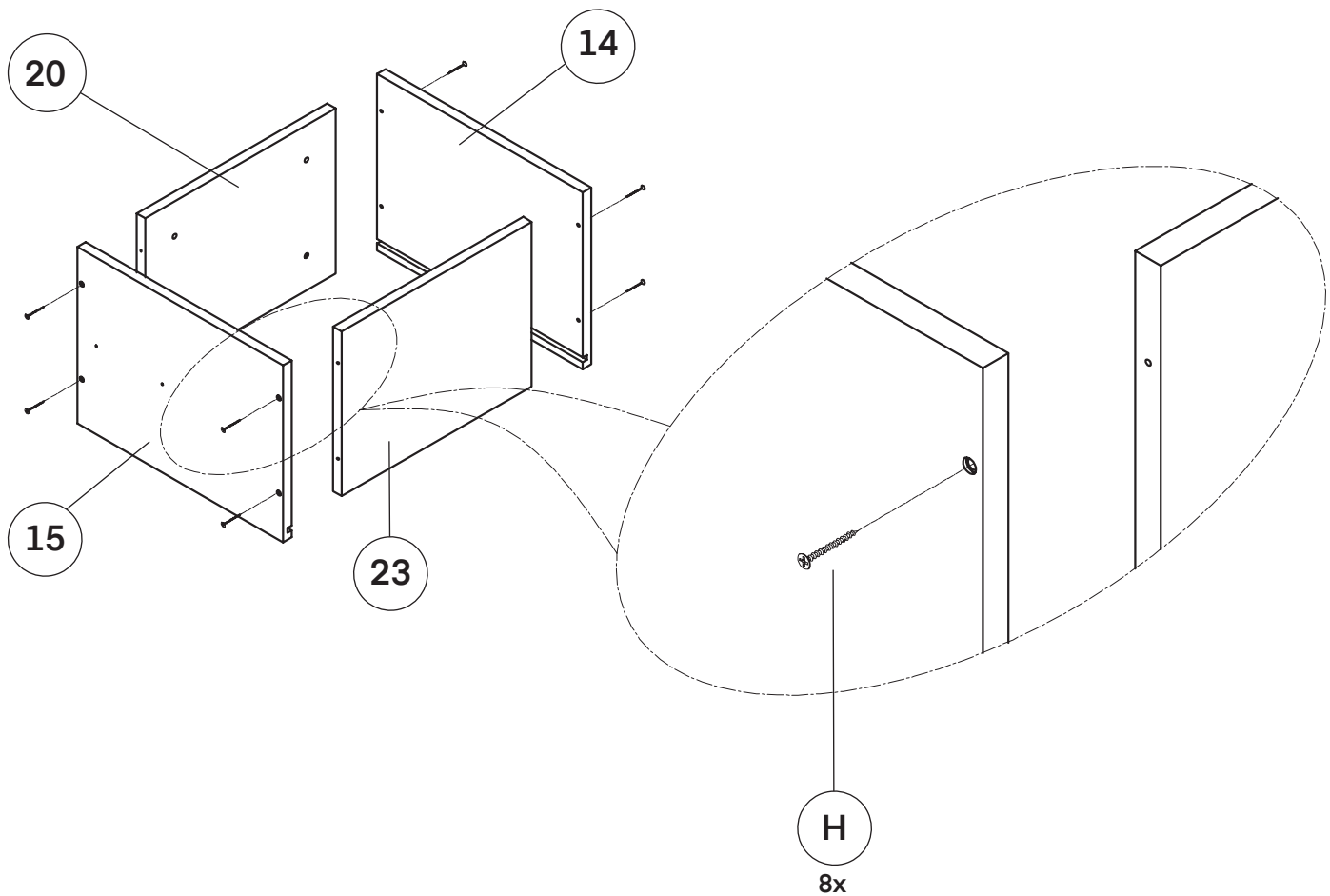
Assembly Instructions

NOTE:

- Before starting, ensure you have an open, clean area to assemble your cabinet.
- Ensure you have all the necessary parts and hardware listed above.
- We highly recommend hiring a professional contractor to assemble and install your cabinet(s).
- The assembly of drawers and door are interchangeable, depending on preference. Depending on the orientation, you will have to use a drill to drill the predrilled holes for the door handle.

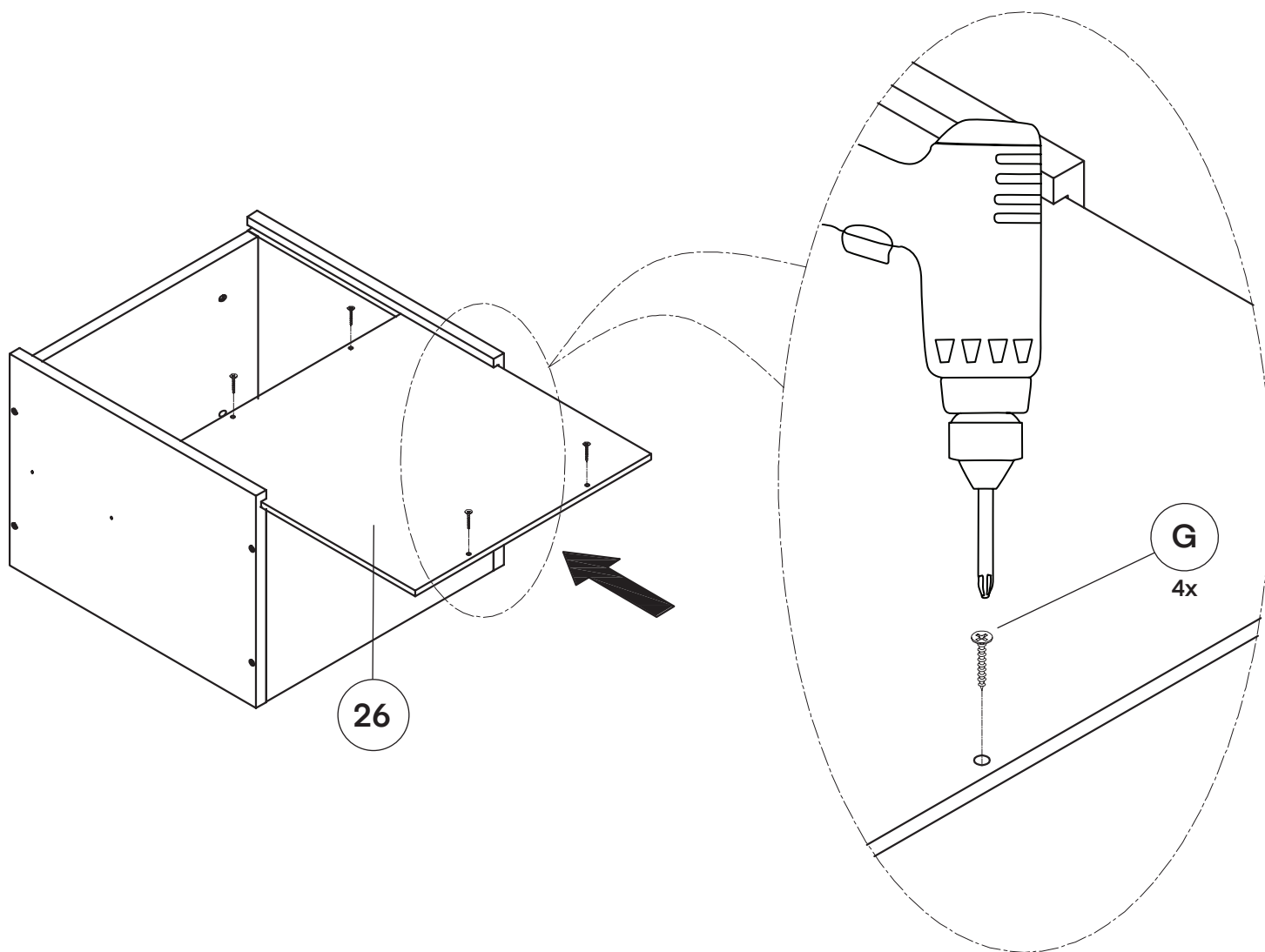
Step 1:

- Locate your Drawer 1 Left Side (14), Drawer 1 Right Side (15), Drawer 1 Front (20), and Drawer 1 Back (23).
- Attach the Drawer 1 Left Side (14) to the Drawer 1 Front (20) using two $\text{\O}4\times40\text{mm}$ Wooden Screws (H).
- Repeat the above steps by connecting the Drawer 1 Left Side (14) to the Drawer 1 Back (23) and connecting the Drawer 1 Right Side (15) to the Drawer 1 Front (20) and Drawer 1 Back (17) using two $\text{\O}4\times40\text{mm}$ Wooden Screws (H).
- Fully tighten with a Philips head screwdriver.



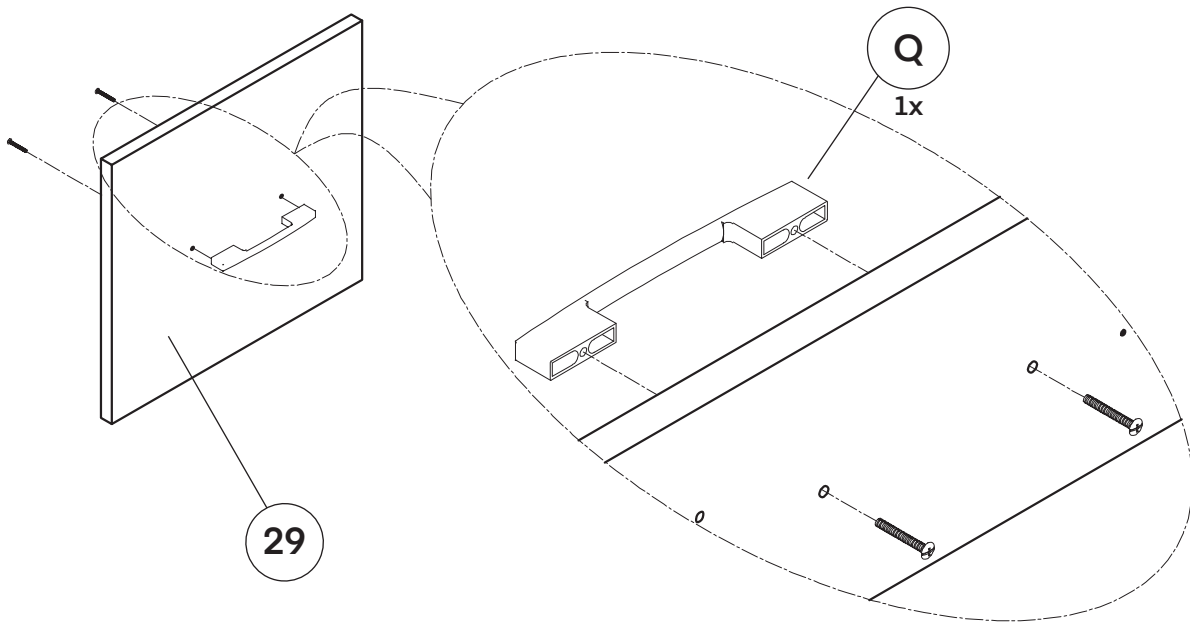
Step 2:

- A. Locate the Drawer 1 Bottom (26) and slide it between the Drawer 1 Left Side (14) and Drawer 1 Right Side (15).
- B. Secure it in place using four $\text{\O}4\times30\text{mm}$ Wooden Screws (G) and tighten with an electric screwdriver.



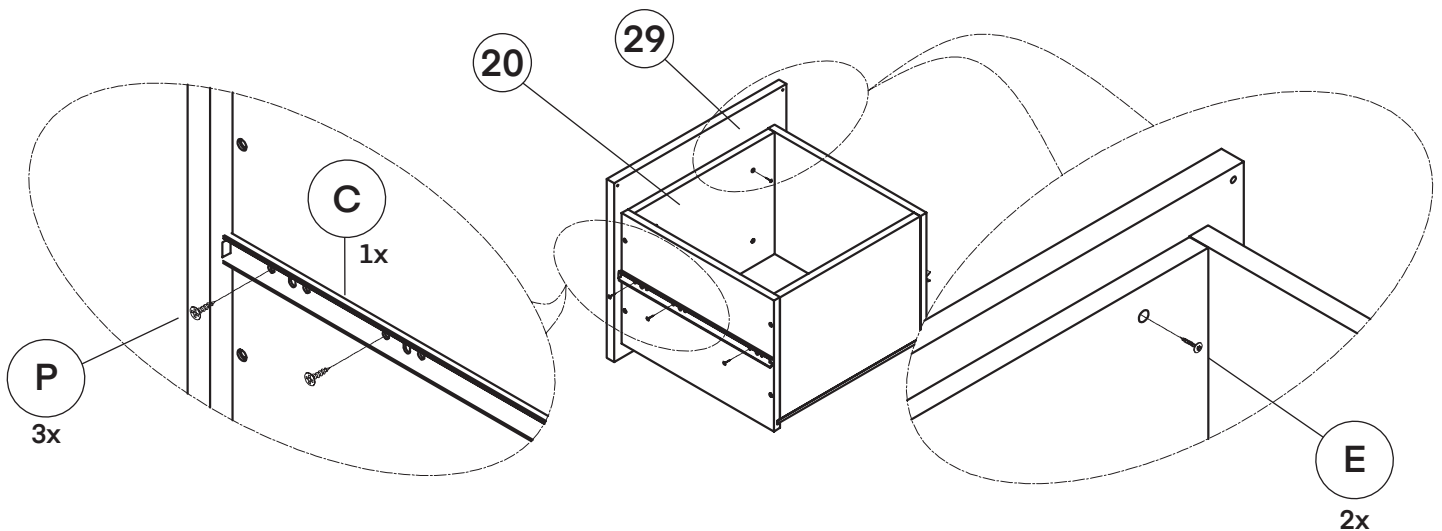
Step 3:

- A. Locate the Drawer 1 Face (29) and remove the plastic film from the front of the panel before installing the Handle (K).
- B. Take the Handle (Q) and adhere it to the Drawer 1 Face (29) with the included screws.



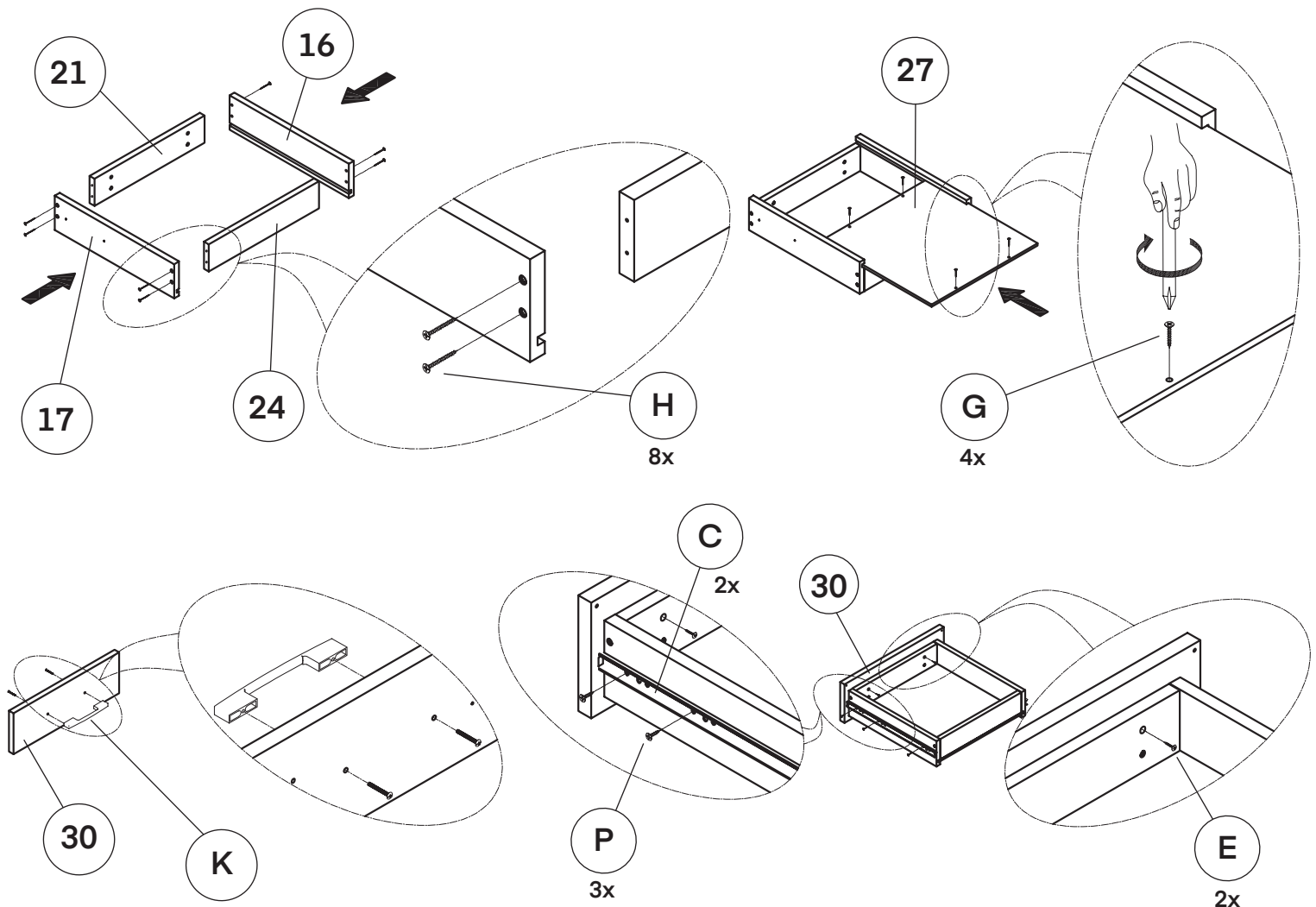
Step 4:

- A. Locate the Ball Bearing Drawer Slides (C), separate each one by fully extending it out, and push the black pin down while pulling the slide out.
- B. Secure half of the Ball Bearing Drawer Slide (C) to the side of the drawer, as pictured.
 - a. Repeat this for the other side of the drawer.
- C. Using three Ø3.5x15mm Wooden Screws (P) per Ball Bearing Drawer Slides (C), secure them in place with a Philips head screwdriver.
- D. Affix the Drawer 1 Face (29) to the Drawer 1 Front (20) with two Ø4x28mm Wooden Screws (E).



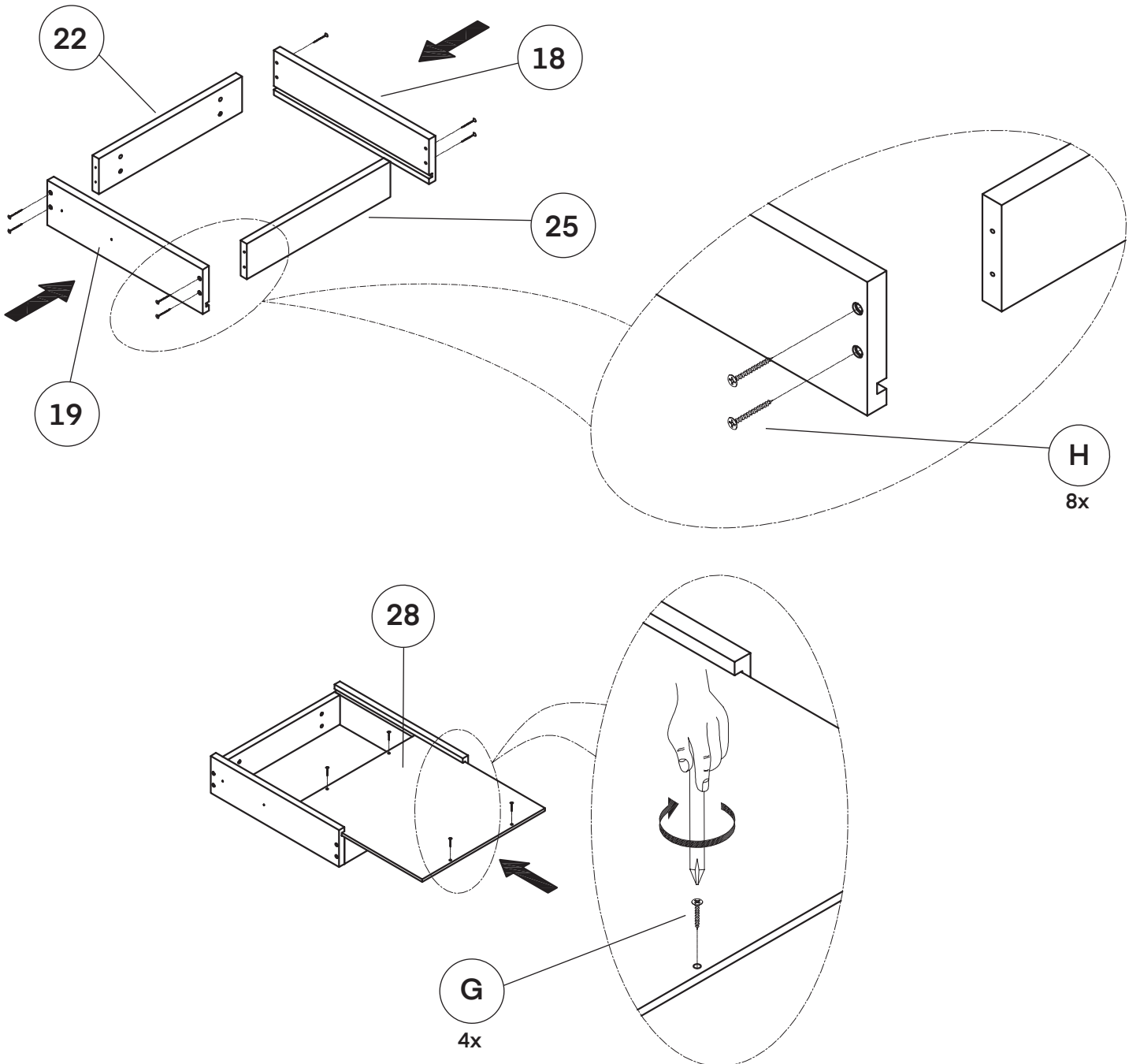
Step 5:

- A.** To assemble the second drawer, locate the following pieces: Drawer 2 Left Side (16), Drawer 2 Right Side (17), Drawer 2 Front (21), Drawer 2 Back (24), Drawer 2 Bottom (27), Drawer 2 Face (30), eight Ø4x40mm Wooden Screws (H).
- B.** Connect the Drawer 2 Front (21) and the Drawer 2 Back (24) to the Drawer 2 Left Side (16) with Ø4x40mm Wooden Screws (H) and secure it in place with a Philips head screwdriver.
- C.** Affix the Drawer 2 Right Side (17) to the Drawer 2 Back (24) and the Drawer 2 Front (21) with Ø4x40mm Wooden Screws (H) and secure it in place with a Philips head screwdriver.
- D.** Locate the Drawer 2 Bottom (27) and slide it between the Drawer 2 Left Side (16) and Drawer 2 Right Side (17).
- E.** Secure it in place using four Ø4x30mm Wooden Screws (G) and an electric screwdriver.
- F.** Locate the Drawer 2 Face (30) and remove the plastic film from the front of the panel before installing the Handle (K).
- a.** Adhere the Handle (K) to the Drawer 2 Face (30) with the accompanying screws.
- G.** Locate the Ball Bearing Drawer Slides (C) and secure one on each side of the drawer, as pictured.
- H.** Using three Ø3.5x15mm Wooden Screws (P) per Ball Bearing Drawer Slides (C), secure them in place with a Philips head screwdriver.
- I.** Affix the Drawer 2 Face (30) to the Drawer 2 Front (21) with two Ø4x28mm Wooden Screws (E) on the top.



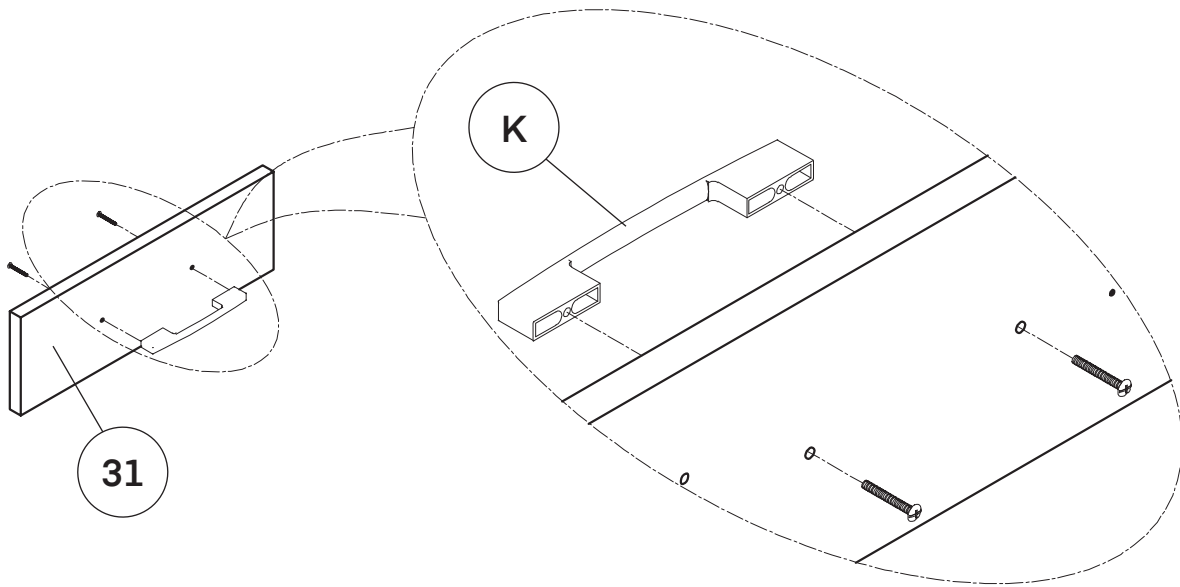
Step 6:

- A.** To assemble the third drawer, locate the following pieces: Drawer 3 Left Side (18), Drawer 3 Right Side (19), Drawer 3 Front (22), Drawer 3 Back (25), Drawer 3 Bottom (28), Drawer 3 Face (31), eight Ø4x40mm Wooden Screws (H).
- B.** Connect the Drawer 3 Front (22) and the Drawer 3 Back (25) to the Drawer 3 Left Side (18) with Ø4x40mm Wooden Screws (H) and secure it in place with a Philips head screwdriver.
- C.** Affix the Drawer 3 Right Side (19) to the Drawer 3 Back (25) and the Drawer 3 Front (22) with Ø4x40mm Wooden Screws (H) and secure it in place with a Philips head screwdriver.
- D.** Locate the Drawer 3 Bottom (28) and slide it between the Drawer 3 Left Side (18) and Drawer 3 Right Side (19).
- E.** Secure it in place using four Ø4x30mm Wooden Screws (G) and tighten with a Philips head screwdriver.



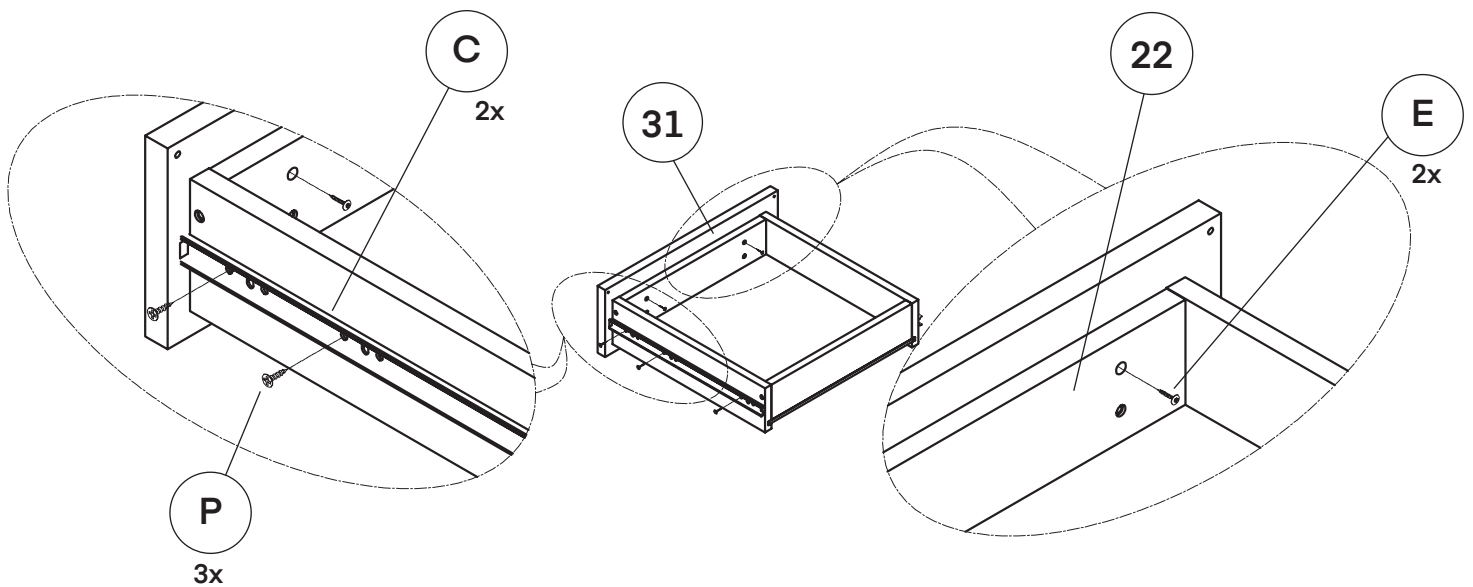
Step 7:

- A.** Locate the Drawer 3 Face (31) and remove the plastic film from the front of the panel before installing the Handle (K).
- a.** Adhere the Handle (K) to the Drawer 3 Face (31) with the accompanying screws.



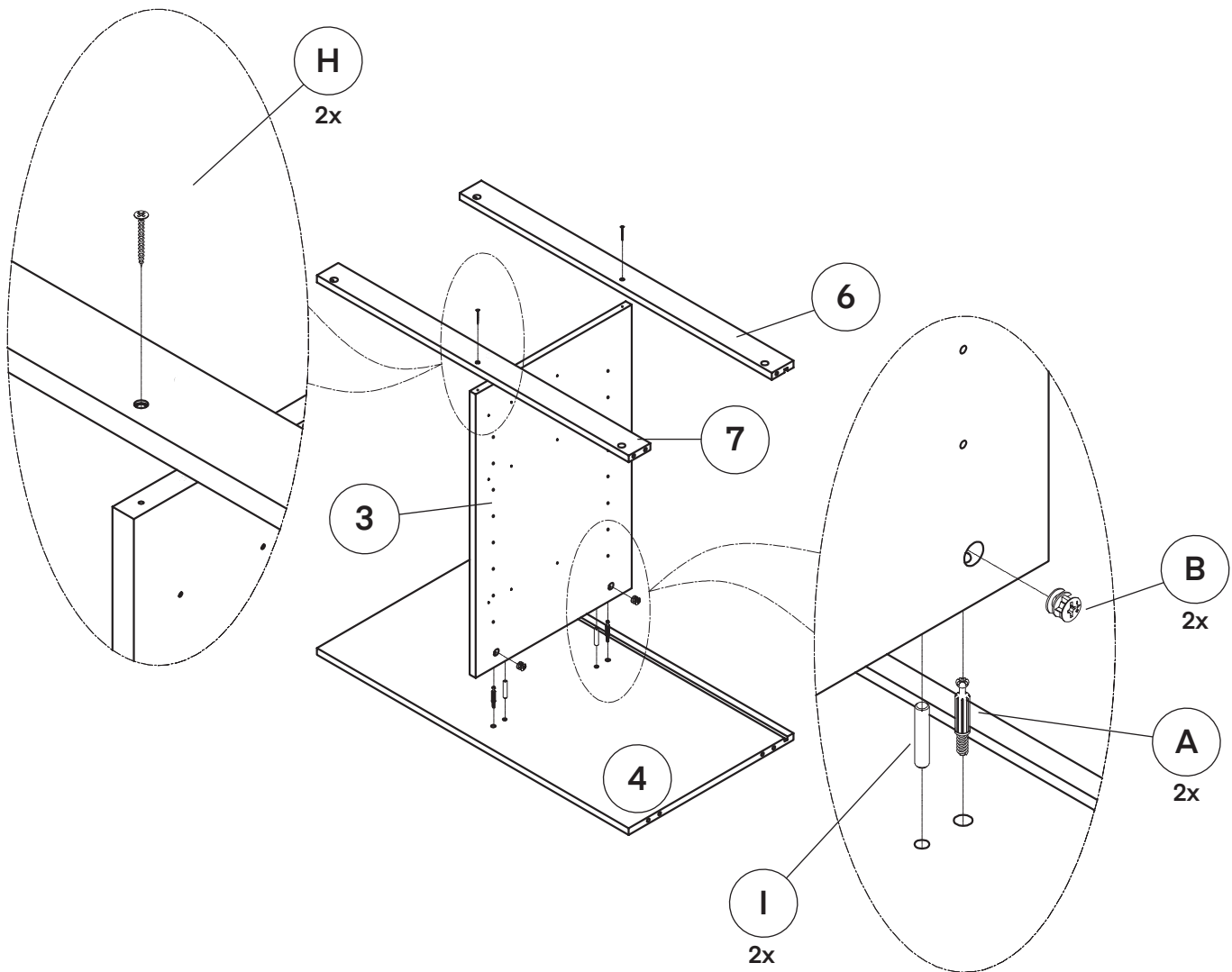
Step 8:

- A.** Locate the Ball Bearing Drawer Slides (C) and secure one on each side of the drawer, as pictured.
- B.** Using three Ø3.5x15mm Wooden Screws (P) per Ball Bearing Drawer Slides (C), secure them in place with a Philips head screwdriver.
- C.** Affix the Drawer 3 Face (31) to the Drawer 3 Front (22) with two Ø4x28mm Wooden Screws (E) on the top.



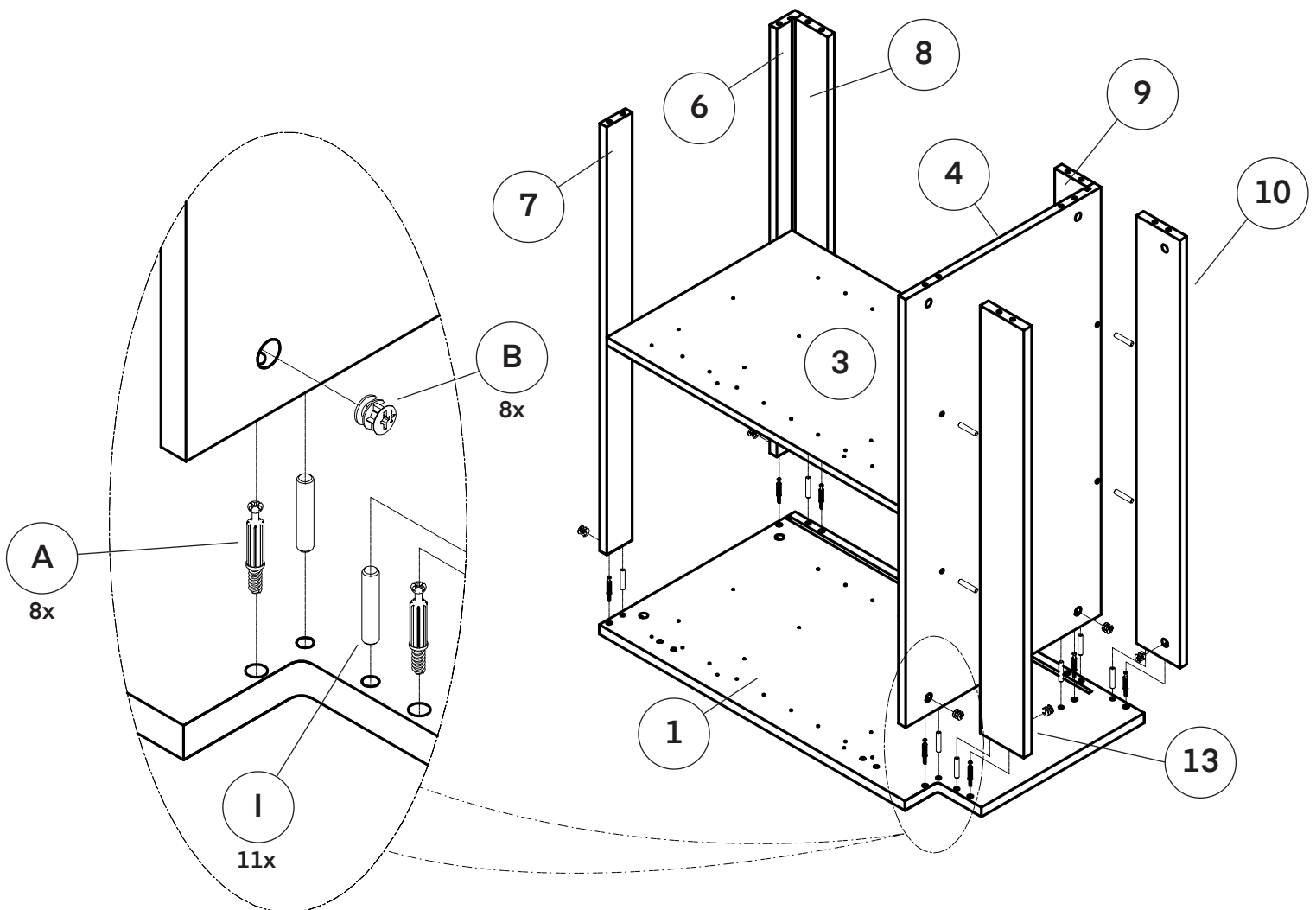
Step 9:

- A. Locate the Bottom Panel (4) and lay it on a flat, clean surface.
- B. In the Bottom Panel (4), locate the four middle, pre-drilled holes.
 - a. Insert two Wooden Dowels (I), as pictured, in the two middle holes.
 - b. Lightly tap them in place with a rubber mallet.
 - c. Insert two Cam Lock Bolts (A) into the holes next two the Wooden Dowels (I).
 - d. Secure them in place with a Philips head screwdriver.
- C. Take the Middle Panel (3) and secure it on top of the hardware you just installed.
 - a. Push down until it is flush with the Bottom Panel (4).
 - b. Adhere two Cam Locks (B) to the bottom of the Middle Panel (3), as pictured, and turn them clockwise to secure in place.
- D. Locate the Top Front Rail (6) and the Top Back Rail 1 (7).
- E. Affix them to the Middle Panel (3) using two Ø4x40mm Wooden Screws (H) with a Philips head screwdriver, as pictured.



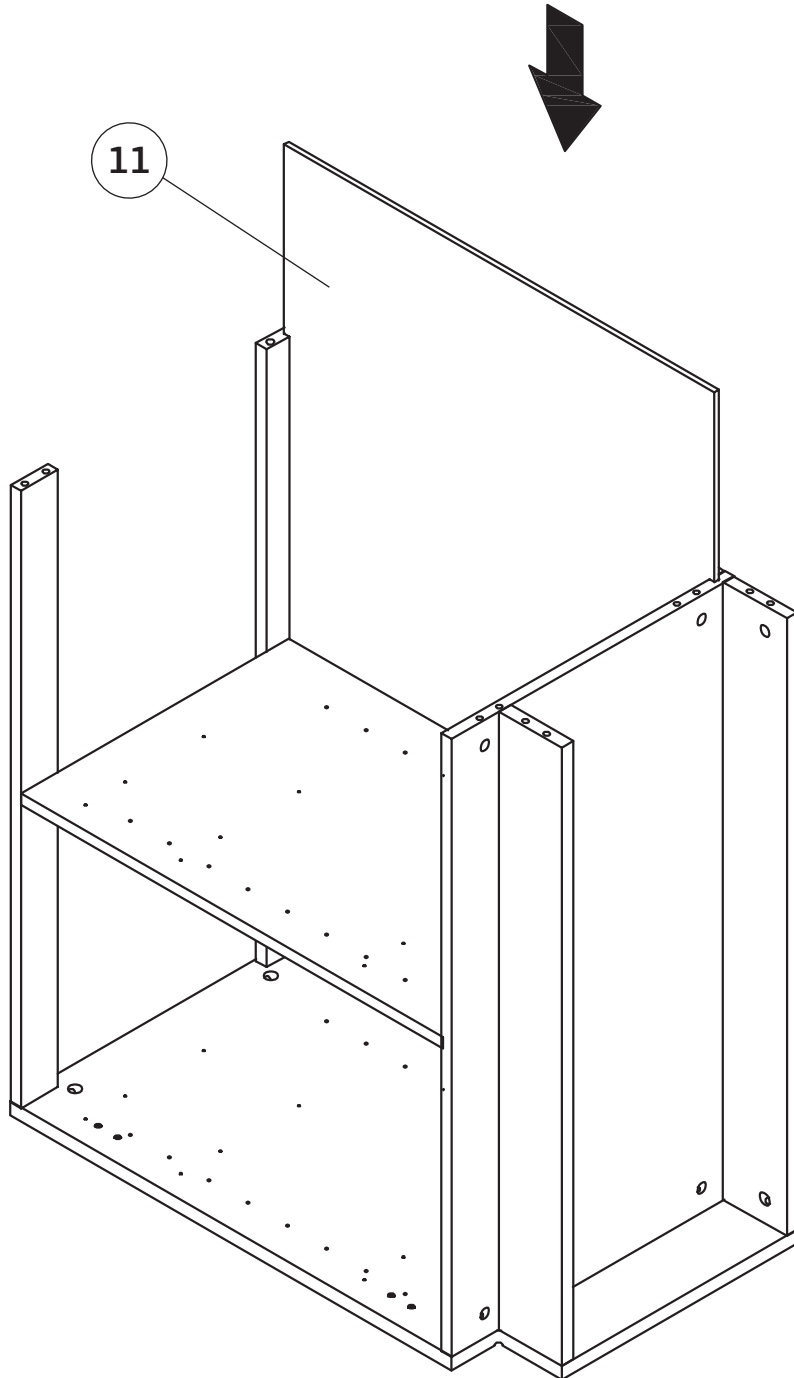
Step 10:

- A. Locate the Left Side Panel (1) and lay it on a flat, clean surface.
- B. Insert seven Wooden Dowels (I) and eight Cam Lock Bolts (A) along three of the edges on the Left Side Panel (1), as pictured.
- C. Turn the assembled structure from Step 9, onto its side and affix it to the hardware you installed, as shown.
- D. Attach the Top Back Rail (8) and Center Back Rail (9) to the side of the Left Side Panel (1) with the etched groove.
- E. Put four Wooden Dowels (I) into the bottom of the Bottom Panel (4) and then attach the Toe Kick (13) and Bottom Back Rail (10) to it, as shown.
- F. Insert eight Cam Locks (B) where you installed all the Cam Lock Bolts (A) and turn them clockwise to secure.
- G. Install eight Wooden Dowels (I) into each pair of holes on all the edges of the panels you just installed.



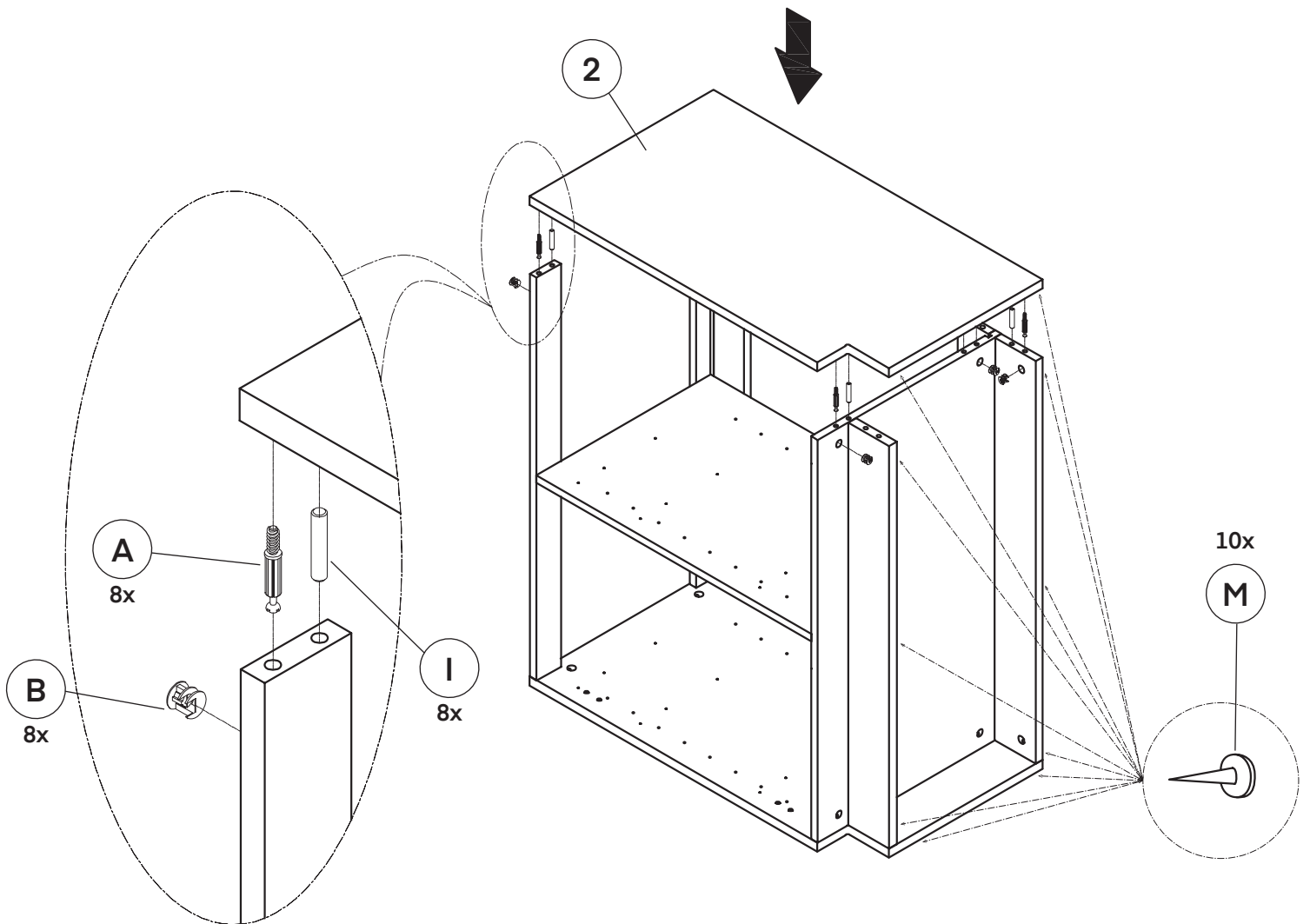
Step 11:

A. Slide the Back Panel (11) in between the crevices on the Top Back Rail (8) and Bottom Panel (4).



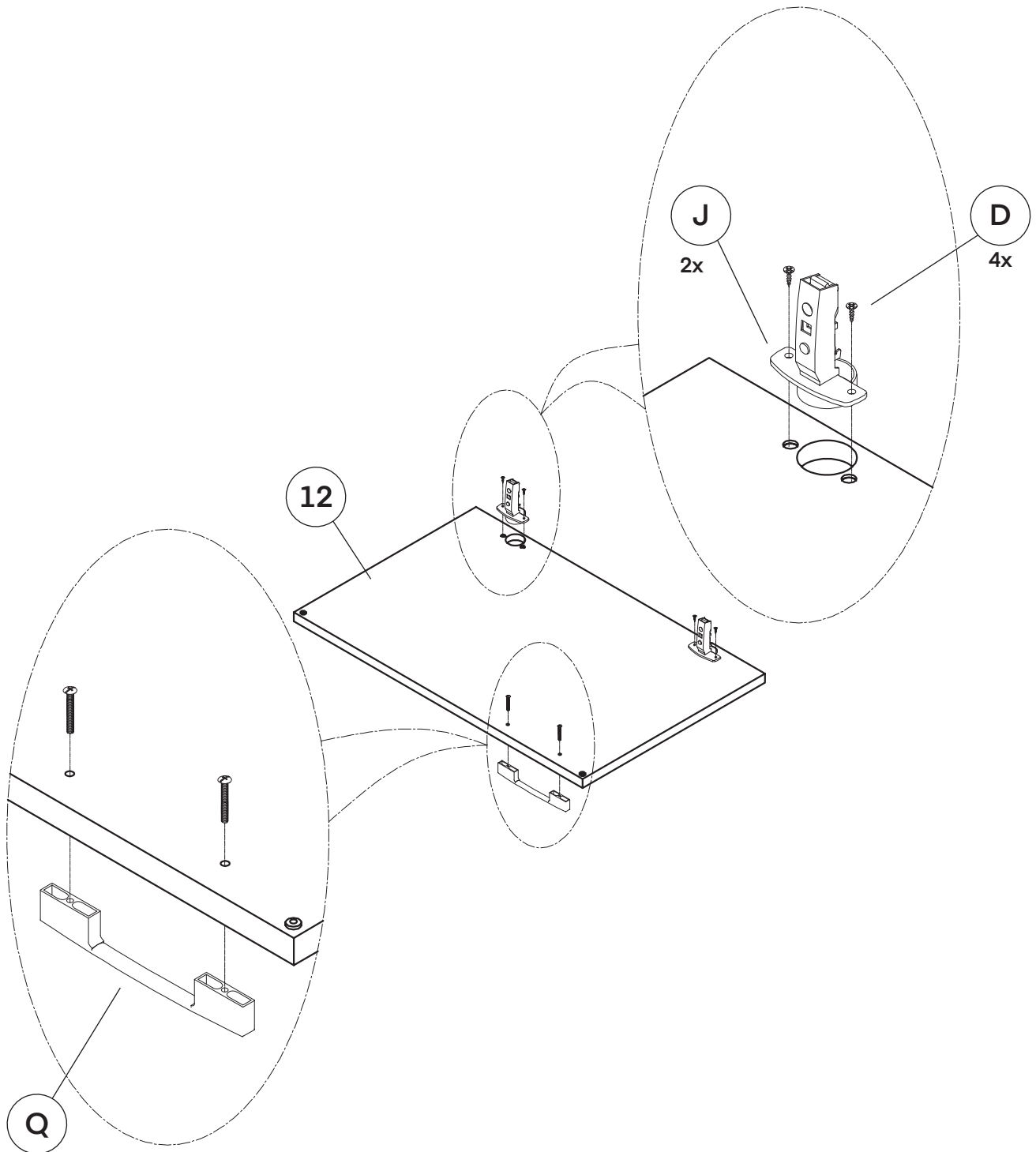
Step 12:

- A. Insert Cam Lock Bolts (A) into the applicable holes on the Right Side Panel (2), as pictured.
- B. The Cam Lock Bolts (A) should be in the opposite hole of where the Wooden Dowels (I) will go when you insert the Right Side Panel (2).
- C. Locate the Right Side Panel (2) and place it on top of all the hardware you just installed in Step 11.
- D. Lightly tap it into place with a rubber mallet until flush with the other panels.
- E. Insert and secure Cam Locks (B) into the accompanying holes for the Cam Lock Bolts (A).
- F. Insert ten Plastic Nails (M) into the bottom of the Left Side Panel (1), the Right Side Panel (2), the Bottom Back Rail (10), and the Toe Kick (13) by tapping them with a rubber mallet.



Step 13:

- A. Locate the Right Door (12), two Hinges (J), Ø4x15mm Wooden Screws (D), and Handle (K); lay it on a flat, clean surface.
- B. Affix the two Hinges (J) in place with four Ø4x15mm Wooden Screws (D) and a Philips head screwdriver.
- C. Remove the plastic film from the front of the door before proceeding.
- D. Drill through the two holes for the Handle (K) on the door before installing the Handle (K).
 - a. Attach the Handle (Q) with the accompanying screws and a Philips head screwdriver.

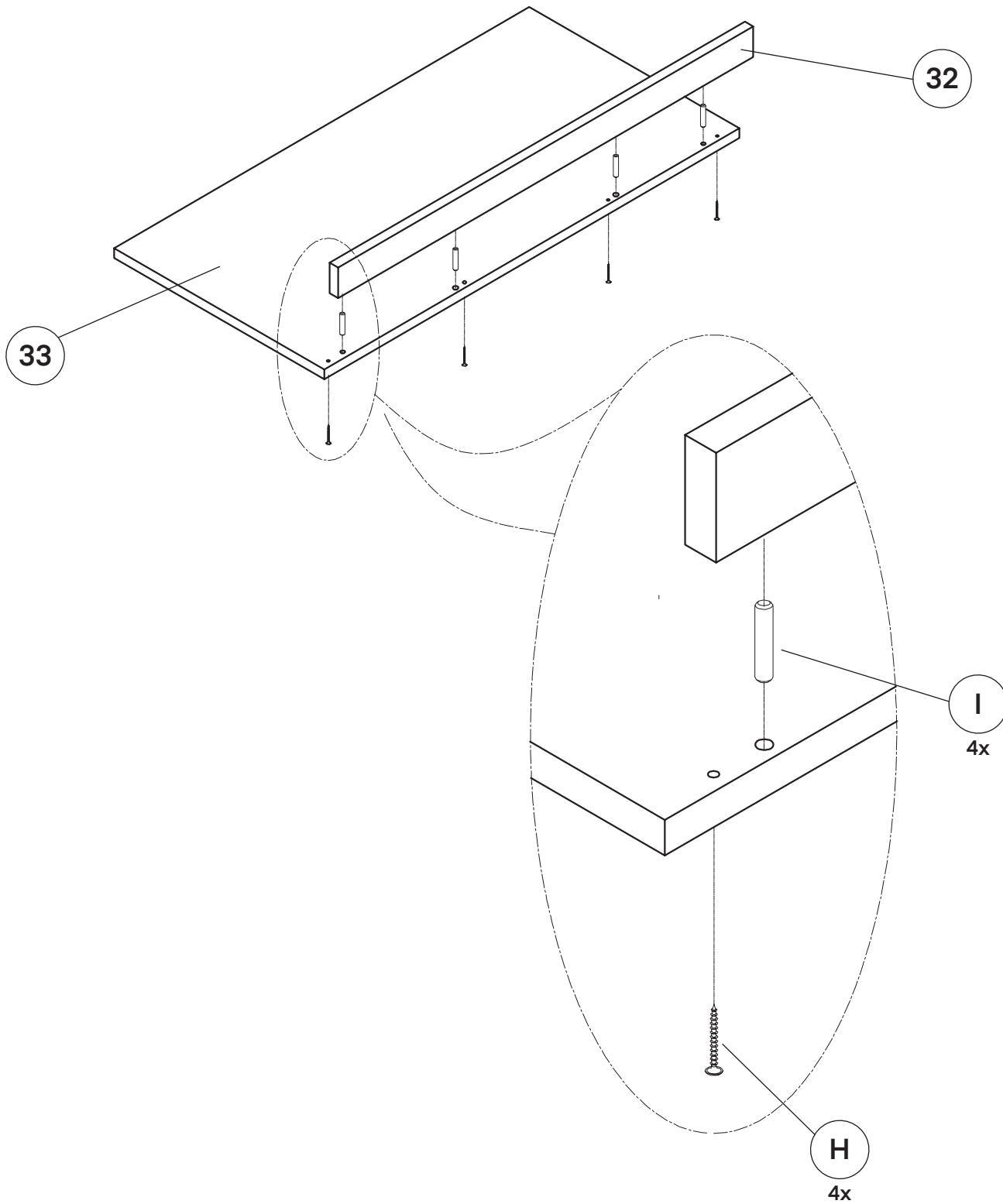


Step 14:

A. Lay the Top (33) on a flat, clean surface.

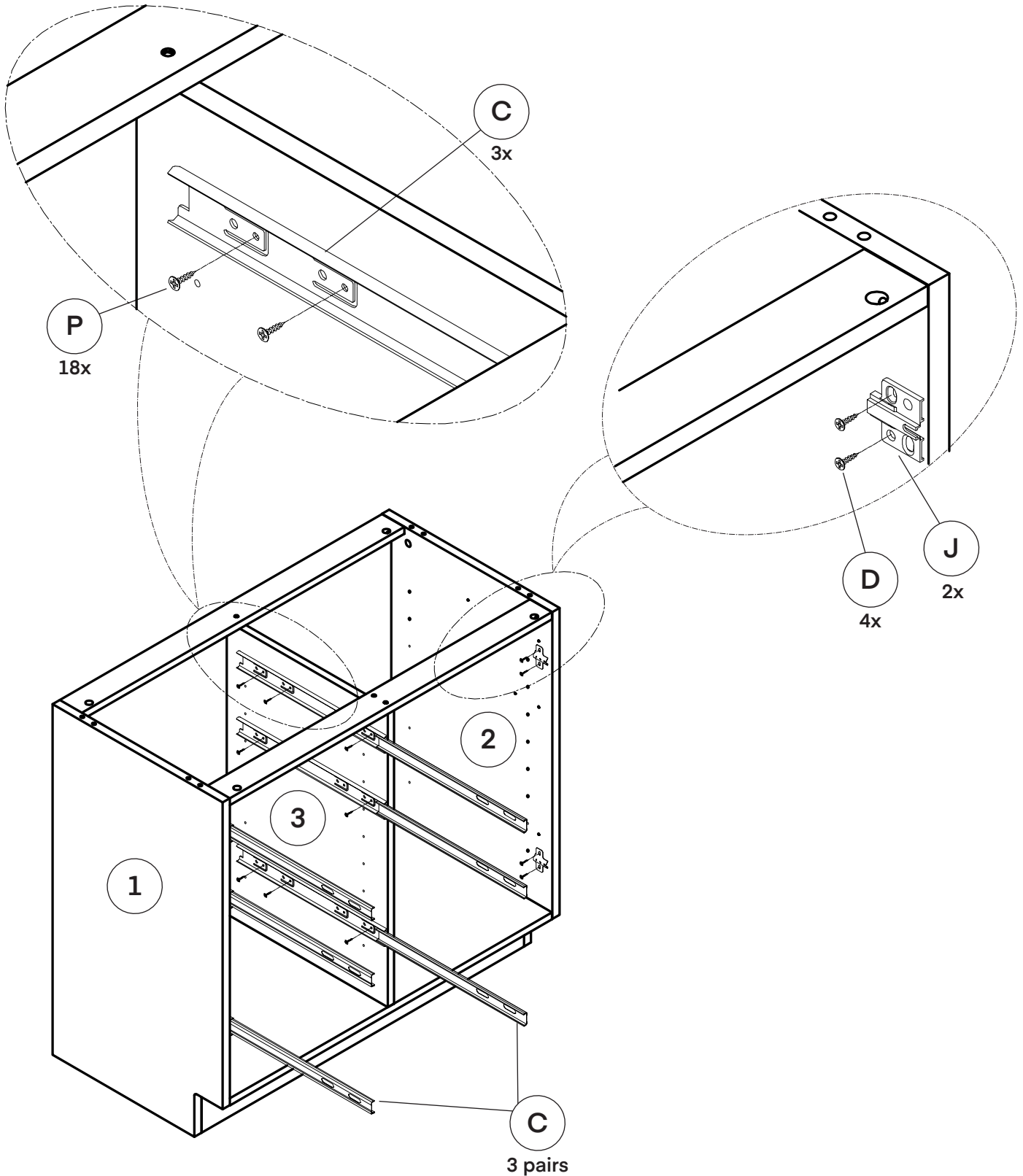
B. Adhere the Top Filler (32) on top of the Wooden Dowels (I) and gently tap until flush.

C. Insert four Ø4x40mm Wooden Screws (H) from underneath the Top (33) through the Top Filler (32).



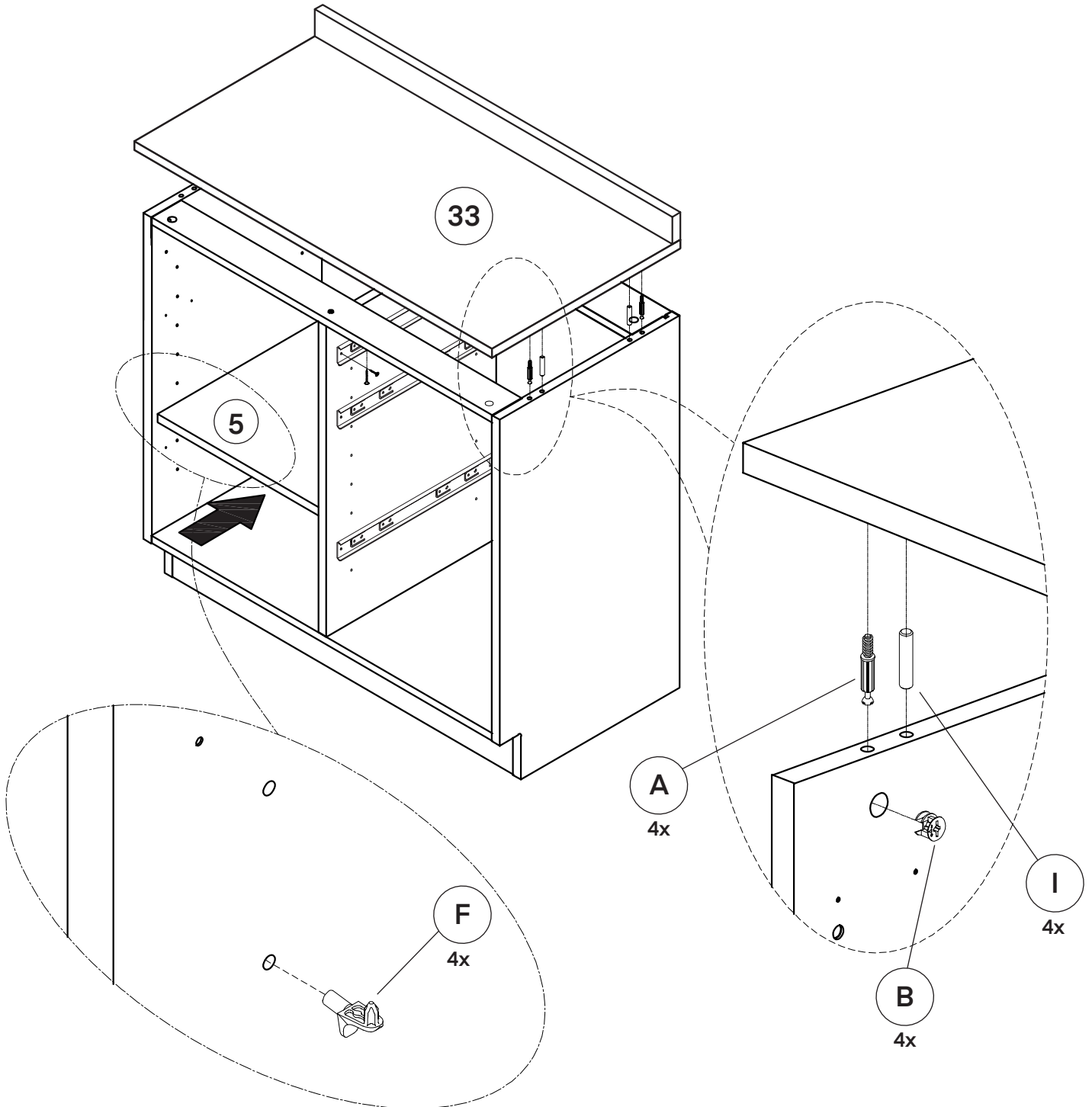
Step 15:

- A.** Turn your cabinet so that it's resting on the bottom.
- B.** Insert all three sets of Ball Bearing Drawer Slides (C) on the inside of the Left Side Panel (1) and the left side of the Middle Panel (3) with three Ø3.5x15mm Wooden Screws (P) per Ball Bearing Drawer Slides (C).
- a.** Ensure you put the screws into the first hole per pair.
- C.** Insert two Hinges (J) on the inside of the Right Side Panel (2) using four Ø4x15mm Wooden Screws (D), as pictured.



Step 16:

- A.** Insert four Wooden Dowels (I) in the middle holes located on the Left Side Panel (1) and the Right Side Panel (2) by lightly tapping them using a rubber mallet.
- B.** Insert four Cam Lock Bolts (A) into the Top 1 (33).
- C.** Place the Left Cutout Top (33) on top of the installed hardware.
- D.** Insert four Cam Locks (B) into the accompanying holes located on the side panels.
- E.** Install the Shelf Supports (F) where you want, and then place the Removable Shelf (5) on top of the Shelf Supports (F).



Step 17:

A. Attach the assembled Right Door (12) to the Hinges (J).

B. Insert the assembled drawers by sliding them onto the sliders.

a. Should the drawers not fit properly, adjust them by doing the following:

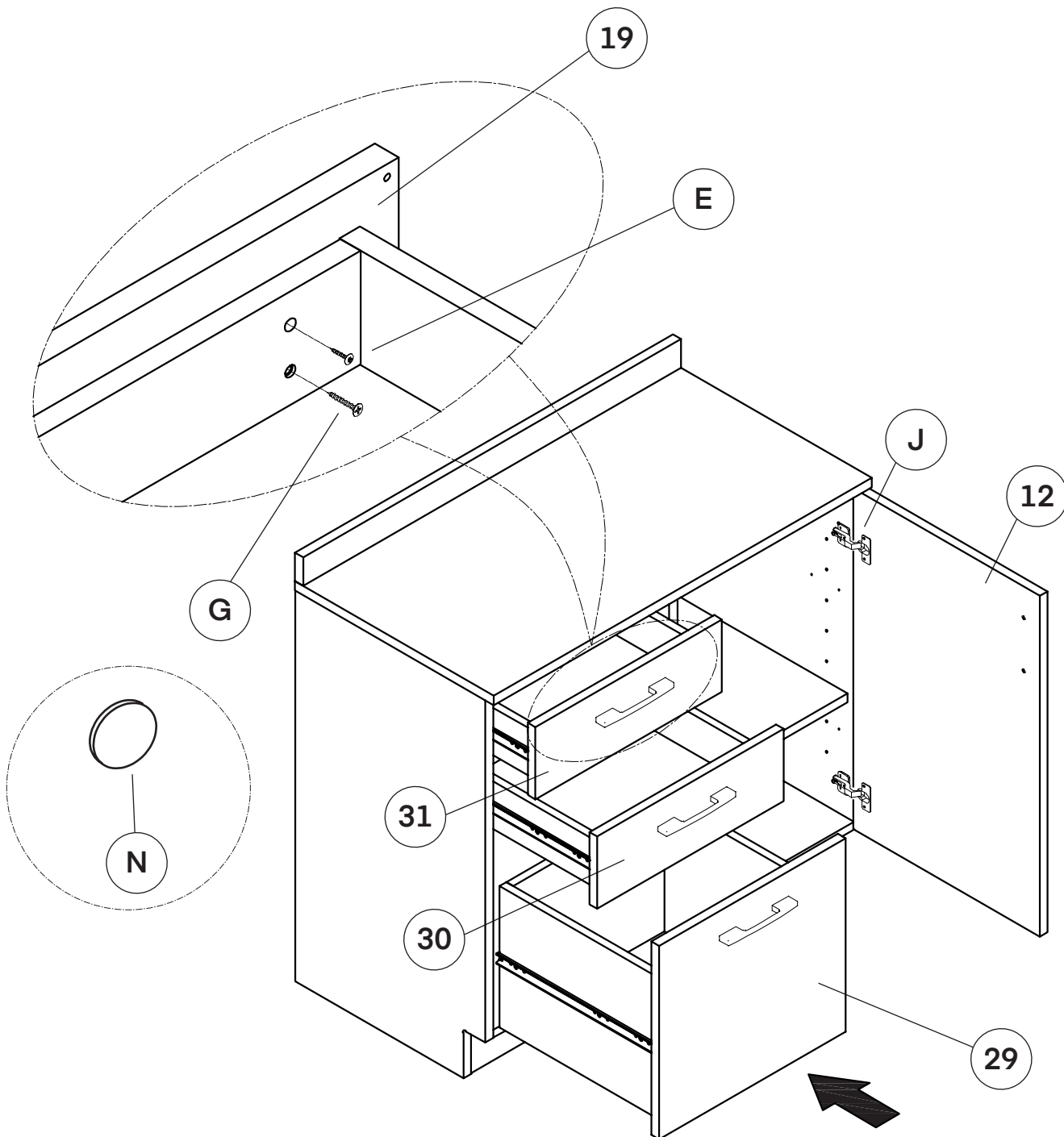
i. Loosen the $\text{\O}4\times28\text{mm}$ Wooden Screws (E) on the Drawer 1 Face (29), Drawer 2 Face (30), and the Drawer 3 Face (31).

ii. Move the drawer's face up, down, left, and right until it fits.

iii. Tighten the $\text{\O}4\times28\text{mm}$ Wooden Screws (E).

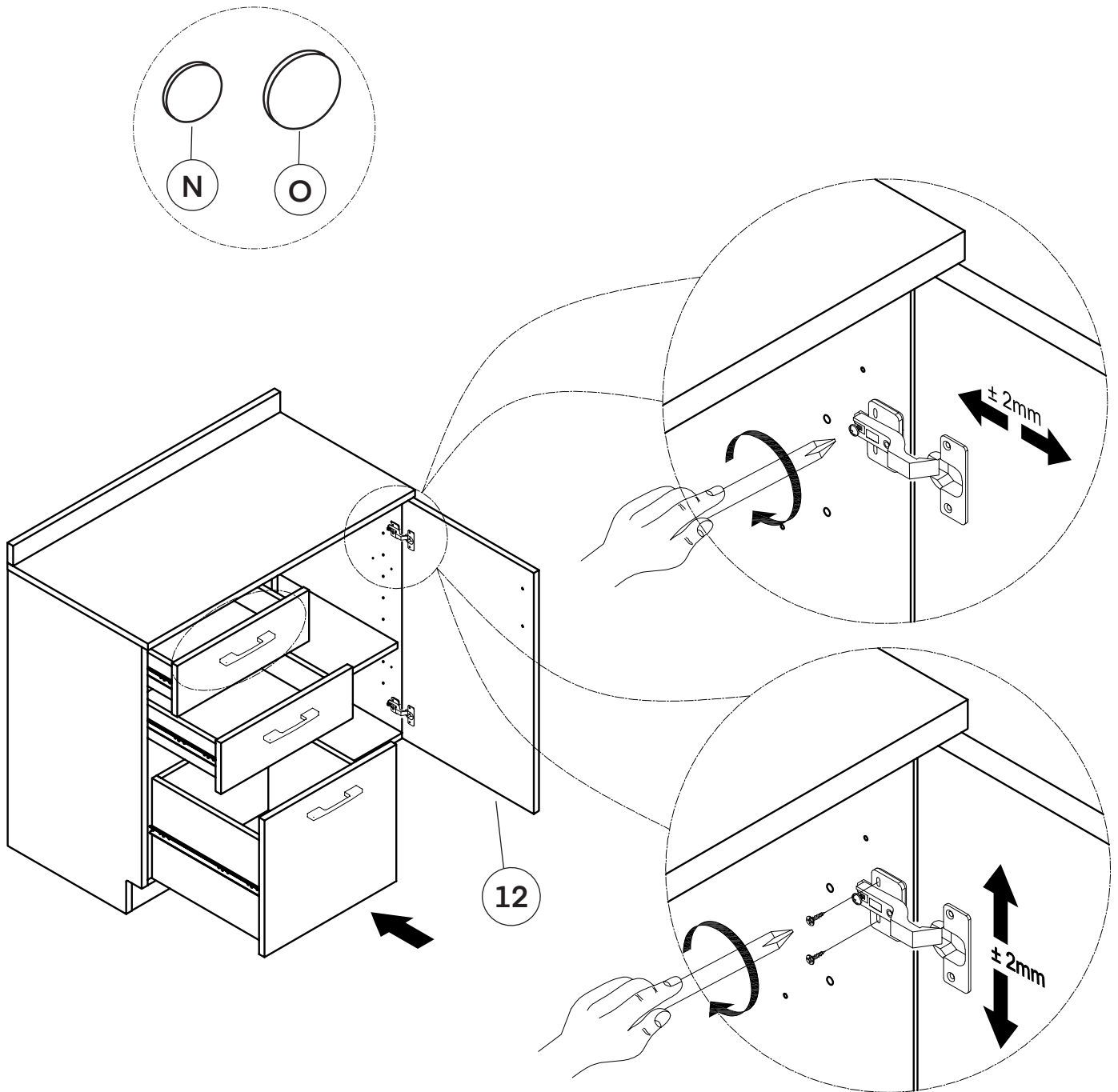
iv. Insert and tighten the $\text{\O}4\times30\text{mm}$ Wooden Screws (G).

C. Use Sticker's 1 (N) to cover the $\text{\O}4\times30\text{mm}$ Wooden Screws (G) and $\text{\O}4\times40\text{mm}$ Wooden Screws (H) on the drawers.



Step 18:

- A.** If the door isn't lining up, adjust the screw on the Hinges (J) by loosening or tightening it until the door sits straight.
- B.** Should you choose to anchor your cabinet to the wall, we've included four Plastic Anchors (L) and spare screws for you, but it is not required.
- C.** Add Sticker's 1 (N) and Sticker's 2 (O) to cover the Cam Locks (B) and any unused holes inside your cabinet.



Warranty

1. Viva Comfort (the "Company" or "Tiger Companies") warrants to the purchaser that the product will be free from defects in workmanship and materials for a period of 3 years from the date of purchase. The warranty period is not extended if we repair, replace, exchange, or provide a refund for the product (as determined in our sole discretion). We may change the availability of this limited warranty at our discretion, but any changes will not be retroactive.
2. These warranties are not assignable or transferable to any other person, including, without limitation, any subsequent owner or other transferee of the product.
3. This Warranty does not apply to: (a) damage caused by misuse, tampering, abuse, neglect, or accident; (b) damage caused by improper installation, modification, or service; (c) alteration of the serial number; or (d) use that violates the instructions furnished by the Company will void this warranty.
4. The sole responsibility of the Company shall be limited to (a) the repair or replacement (in its sole discretion) of any component of the product which fails to conform to this; (b) a refund the purchase price of such product (in its sole discretion), at no cost to the purchaser for the period of the warranty, or (c) an exchange for a similar product, comparable in function and price.
5. Contact the Company directly at 1-(800)-805-1790 to obtain service under this warranty. If it becomes applicable to send a defective product to the Company, a Return Authorization Number must first be obtained from the Company. In order to obtain service under this warranty, purchaser may be required to provide the Company with the following items (a) proof of purchase, (b) photographs and or videos (of the damage, and (c) a written testimonial describing the defect.
6. Products shipped without prior Return Authorization and Return Authorization Number may not be accepted, and the Company will not be responsible for their disposition and/or cost of return to the owner.
7. The Company will not assume any responsibility for any loss or damage incurred in shipping and or delivery.
8. The product(s) must be returned within 14 calendar days of receiving the return authorization from the Company and must include the original proof of purchase for the warranty to be honored.
9. Any implied warranties that the purchaser may have are limited to the duration of the warranties described above. There are no further warranties that extend or apply beyond the face hereof, and the Company expressly disclaims and excludes any and all warranties of merchantability or fitness for a particular purpose. Some states do not allow limitations on how long an implied warranty lasts, so the above limitation may not apply to you.
10. THE REMEDIES DESCRIBED ABOVE ARE YOUR SOLE AND EXCLUSIVE REMEDIES AND THE COMPANY'S ENTIRE LIABILITY FOR ANY BREACH OF THIS LIMITED WARRANTY. OUR LIABILITY SHALL UNDER NO CIRCUMSTANCES EXCEED THE ACTUAL AMOUNT PAID BY YOU FOR THE DEFECTIVE PRODUCT, NOR SHALL WE UNDER ANY CIRCUMSTANCES BE LIABLE FOR ANY CONSEQUENTIAL, INCIDENTAL, SPECIAL OR PUNITIVE DAMAGES OR LOSSES, WHETHER DIRECT OR INDIRECT. SOME STATES DO NOT ALLOW THE EXCLUSION OR LIMITATIONS OF INCIDENTAL OR CONSEQUENTIAL DAMAGES, SO THE LIMITATION MAY NOT APPLY TO YOU.
11. This warranty gives you specific legal rights, and you may also have additional rights which vary from state to state.



ADIME902-BASE-36-NS-GRY

© 2023 Viva Comfort

vivacomfort.com