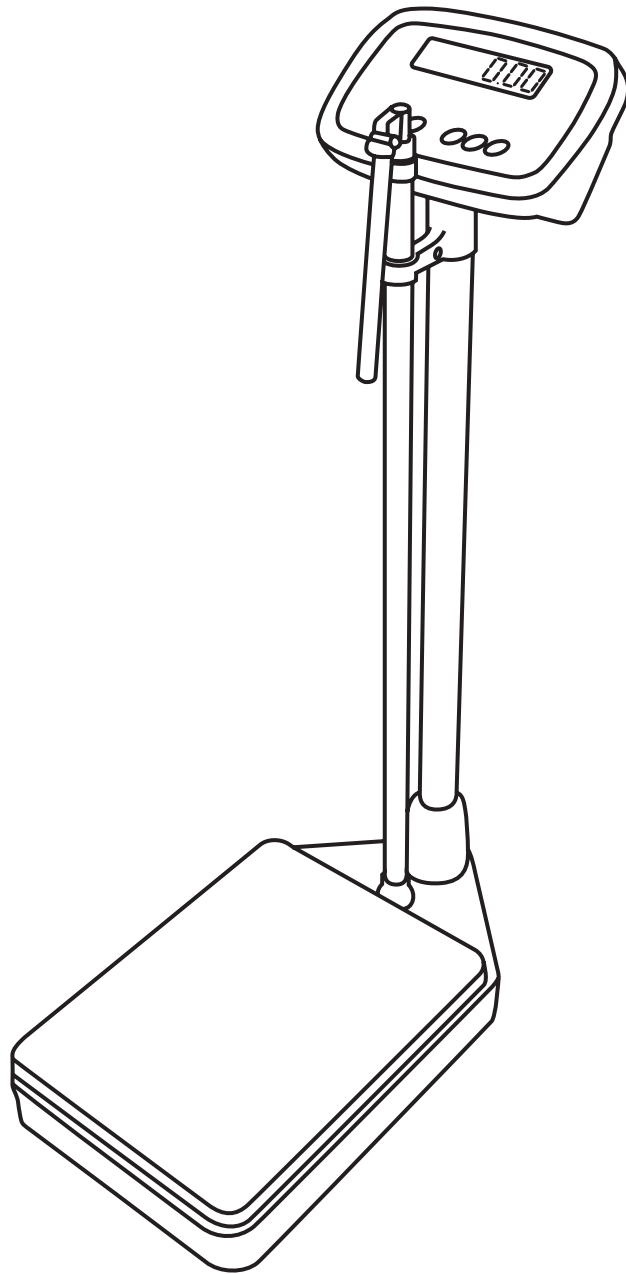


.....

DIGITAL PHYSICIAN SCALE

WITH HEIGHT ROD

.....



ADIME904-01

USER GUIDE



Thank you for your purchase.

Viva Comfort maintains a strong practice of ongoing development of products and commercial research.

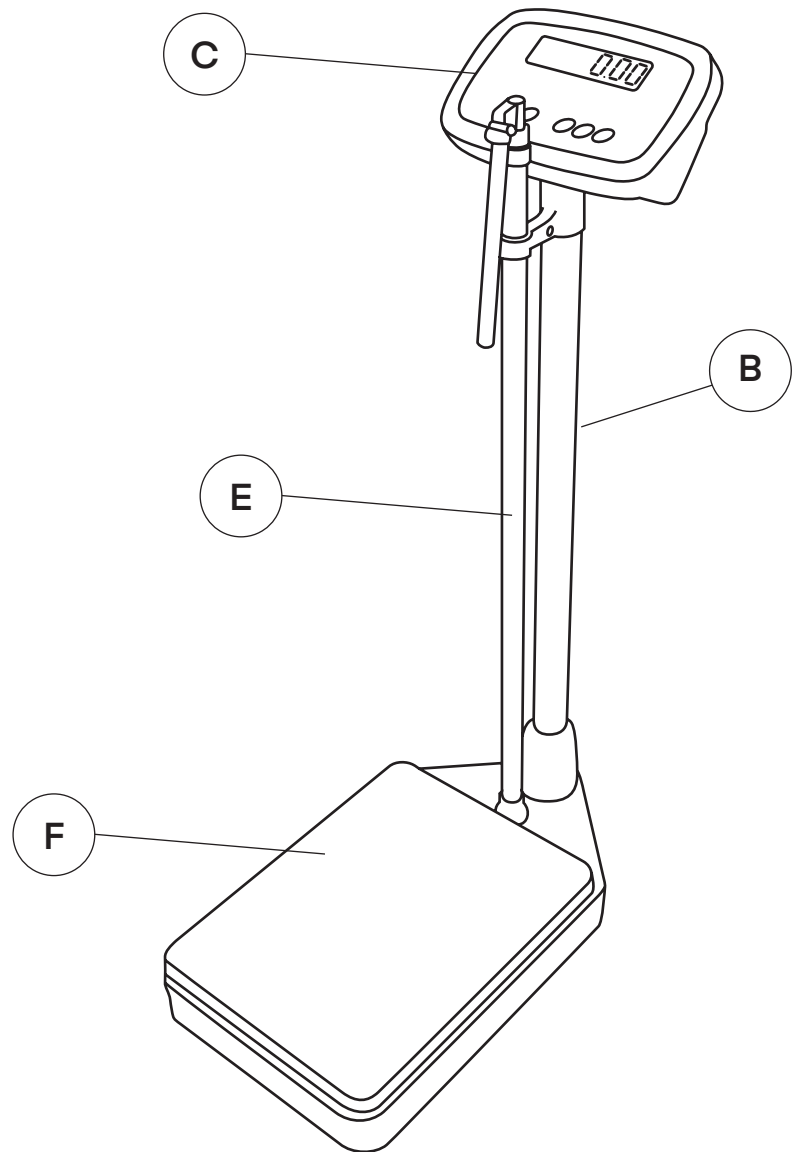
We recognize that starting and maintaining a medical practice is expensive. We'll help make the process cost-effective and elegant. Additionally, our team of specialists will ensure everything you need works as efficiently as possible, so you can effectively treat your clients.

Table of Contents

- 2 Parts List
- 2 Hardware List
- 3 Assembly Instructions
- 5 Using A Height Rod
- 6 Settings
- 7 Key And Light Instructions
- 8 Operating Instructions
- 9 Error Messages
- 9 Mantaining
- 10 Warranty
- 11 Notes

Parts List

- A. Cable
- B. Pillar
- C. Indicator
- D. Load Cell Cable
- E. Height Rod
- F. Base



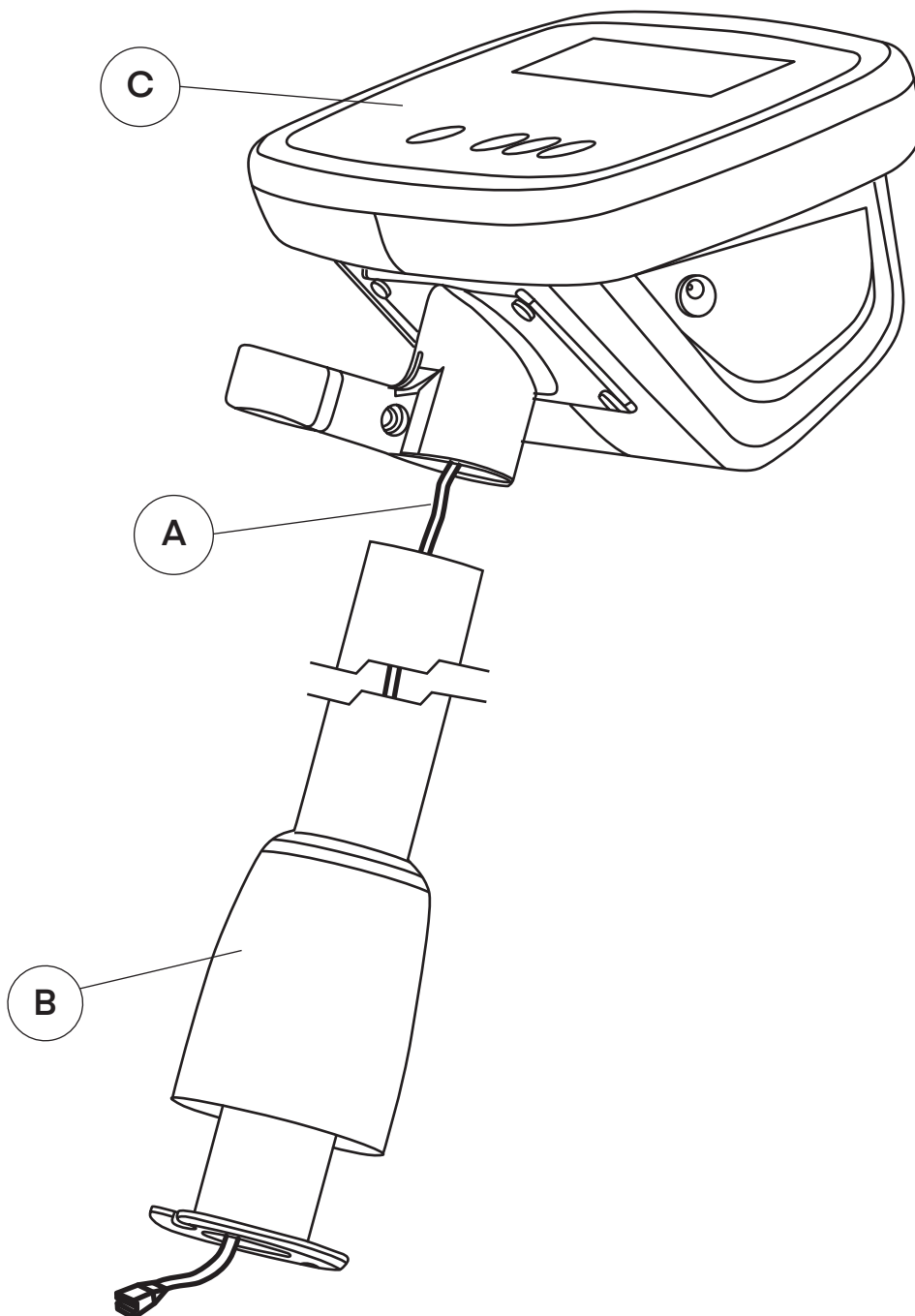
Hardware List

1. Bolt (M5) (x3)
2. Hex Key
3. Tightening Screw

Assembly Instructions

Step 1:

- A.** Prior to beginning assembly, ensure you have all the parts and hardware in the User Guide.
 - a.** Ensure nothing is damaged and lay everything out on a flat surface.
- B.** Place the Cable (A) through Pillar (B): avoid breaking the cable.
 - a.** When placing the Cable (A) through be careful to avoid breaking the cable.
 - b.** Avoid pulling the connector on the cable directly.
- C.** Affix the Indicator (C) onto the Pillar (B).



Step 2:

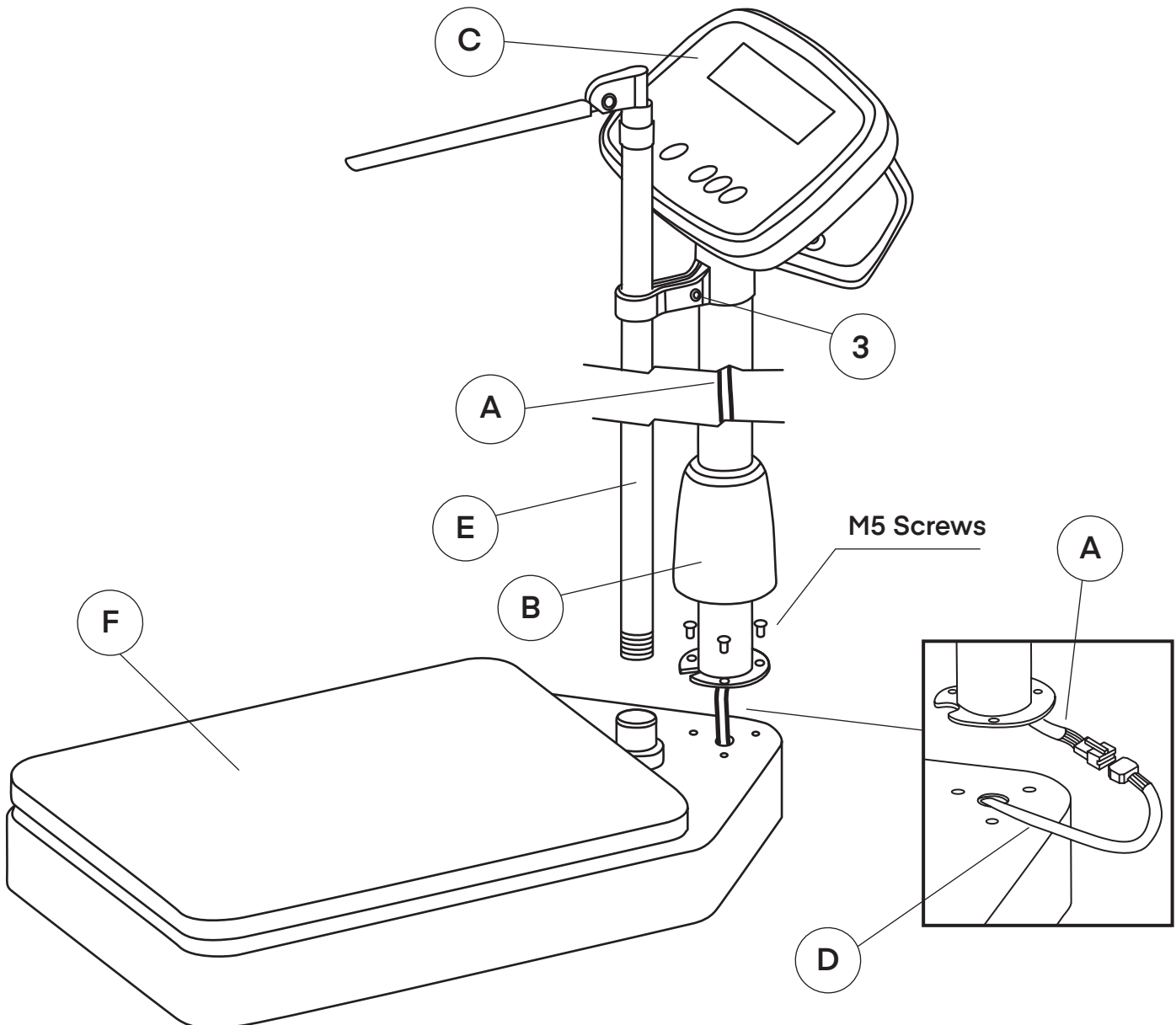
- A. Connect the Indicator (C) and the Load Cell Cable (D), as pictured.
- B. Put the connected Cable (A) into the Pillar (B).

Step 3:

- A. Affix the Indicator (C) onto the scale using 3 Bolts (1).
- B. Secure the Bolts (1) in place using the included Hex Key (2).

Step 4:

- A. Take the Height Rod (E) and stick it through the hole sticking out below the indicator's base, and into the hole in the Base (F).
- B. Going clockwise, tighten the Height Rod (E) into the Base (F) until secure.
- C. Adjust the Indicator (C), if needed, and secure the Tightening Screw (3) for the indicator's base, as pictured.



Using A Height Rod

Step 1:

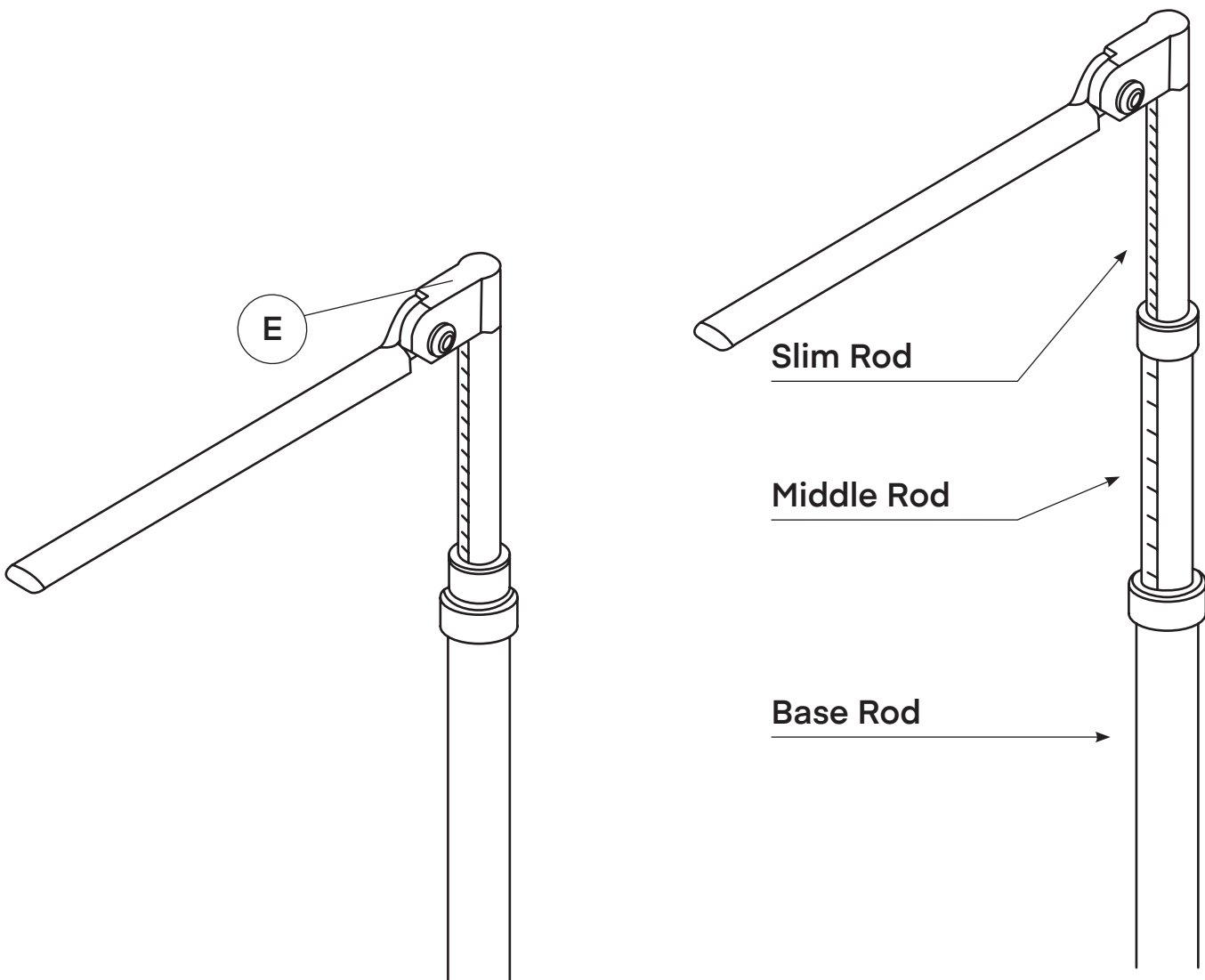
A. There are three sections to the Height Rod (E).

- The base rod.
- The middle rod
- The slim top rod

B. When the height range is between 80 – 140 cm, pull out the slim top rod, as pictured.

C. When the height range is between 140-210 cm, completely pull out the slim top rod and then the thick middle rod, as pictured.

- It's important that the slim top rod is pulled out **BEFORE** the middle rod.



Settings

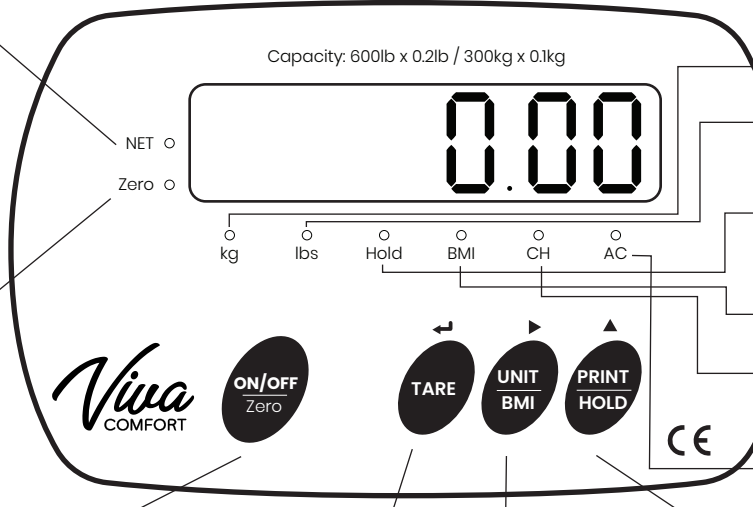
NOTE: Having an incorrect setting may stop the indicator from working or cause further issues to develop.

1. Press the TARE key and hold until (pd000) displays.
 - Enter the Passcode 203 the enter the setting menu.
- A. F1: Capacity Setting (F1 CAP)
 - Set from 1 – 10000, default 200
- B. F2: Position of decimal point (F2 dP)
 - Set between 0 – 3
 - Default is 2
- C. F3: Division (F3 Inc)
 - Setting can be 1, 2, 5, 10, 20, 50, 100
 - Default is 5
- D. F4: Calibrate Scale (F4 CAL)
 - E_CAL: Zero Setting
 - Load: Load Weights
 - (XXXX.XX): Input Weight
- E. F5: Filter Setting: (F5 Fit)
 - 0: Low Filter
 - 1: Medium Filter
 - 2: High Filter
 - Default is 1
- F. F6: Auto Zero Range: (F6 bZ)
 - Can set OFF to stop the Zero by key
 - 20: 20% CAP
 - 50: 50% CAP
 - 100: 100% CAP
- G. F7: Auto Zero Tracking Range (F7 AZ)
 - 0: No Zero Tracking: 1; 1D; 2; 2D; 3; 3D; 4; 4D; 5; 5D
 - Default is 3D
- H. F8: Power-On Zero Range (F8 PZ)
 - OFF: No ZERO when power is on
 - 20: 20% CAP
 - 50: %0% CAP
 - 100: 100% CAP
 - Default is 20: 20% CAP
- I. F9: Factory Default Setting (F9 Rst)
 - Choose 1 to load the factory settings.

Key And Light Instructions

Lights up when net weight is shown

Lights up when the weight is zero



- KG: Lights up when the weight unit is kg
- LB: Lights up when the weight unit is lb
- Hold: Lights up when the weight is locked
- BMI: Lights up when the body mass index value is calculated.
- CH: Lights up when the battery needs to be recharged
- AC: Lights up when using the AC power supply.

1. Press to turn on
Hold to turn off
2. Zero
3. When in setting mode, press this button to cancel the setting change and return to the previous menu

1. Tare
2. When in setting mode, press this button to confirm the setting data.

1. To change the unit, hold down this button
2. To calculate the BMI, press this button
3. When in setting mode, press this button to move the cursor

1. Save, cancel save
2. When in setting mode, press this button to change and highlight the number

Operating Instructions

A. On/Off

- i. On: Press On/Off key
 - Once the power is on, the display screen will show the model and version.
 - It will then be ready to begin weighing.
- ii. Off: Press On/Off key
 - Hold down the key for 3 seconds until it fully powers down.

B. BMI Operation

- i. In standard mode, have a person stand on the scale.
- ii. After the indicator is stable, press the Unit/BMI key.
 - The screen will display HI 1.75 while the last digit is flashing.
- iii. Press the Unit/BMI key to move the digit that needs to be modified.
 - Press the Print/Hold key to change the height of the person (from 0 – 9).
- iv. Press the TARE key to confirm the input of the height.
- v. The indicator calculates the BMI automatically and will display (b XX. XX).
- vi. Press the TARE key or On/Off/Zero key to exit BMI mode.

C. Zero

- i. When the weight is in the setting range, press the On/Off/Zero key to make it show "0" and the zero light will illuminate.

D. Tare

- i. If you consider the weight on the scale as tare-weight, press TARE key to display 0 and the NET light will illuminate.

E. Hold

- i. In standard weighing mode, press the Print/Hold key to hold the present weight and the HOLD light will illuminate.
 - If the weight is in lock mode, press the Print/Hold key to cancel the weight and return to the normal weighing mode.
 - The HOLD light will turn off.

F. Weight Unit Converter

- i. In the standard weighing mode, press the Unit/BMI key for 3 seconds.
 - The indicator will change the unit between kg and lb.
 - The corresponding kg and lb will light up on the display screen.

Error Messages

Err 1: Incorrect Password

Err 2: Out Of Setting Range

Err 3: Weight Is Too Light For Calibration

Err 4: Zero: Not Allowed Due To Weight Being Out Of Zero Range

Err 5: The Scale Is Not Stable To The Tare

Err 6: No Tare Due To Weight Is Lower Than 0

Maintaining

- **DO NOT** use the scale in the below area:
 - In areas that vibrate
 - In direct sunlight
 - In high-temperatures, dusty, or wet areas
- When plugging in the AC power supply, ensure you have a proper outlet for grounding.
- When using the DC power feature, recharge the battery before it runs out fully.
 - When the scale is not in use, power down the scale.
- **NEVER** clean the scale with solvents (such as benzene, nitro class oil).
- **DO NOT** eat or drink around or on the scale.
- The weighing indicator is a precision measuring instrument.
 - It can **ONLY** be maintained and adjusted by approved engineer or our company staff.
 - Disassembly or maintenance by any other party would make the warranty invalid as well as damage the scale.

Warranty

1. Viva Comfort (the "Company" or "Tiger Companies") warrants to the purchaser that the product will be free from defects in workmanship and materials for a period of 1 year from the date of purchase. The warranty period is not extended if we repair, replace, exchange, or provide a refund for the product (as determined in our sole discretion). We may change the availability of this limited warranty at our discretion, but any changes will not be retroactive.
2. These warranties are not assignable or transferable to any other person, including, without limitation, any subsequent owner or other transferee of the product.
3. This Warranty does not apply to: (a) damage caused by misuse, tampering, abuse, neglect, or accident; (b) damage caused by improper installation, modification, or service; (c) alteration of the serial number; or (d) use that violates the instructions furnished by the Company will void this warranty.
4. The sole responsibility of the Company shall be limited to (a) the repair or replacement (in its sole discretion) of any component of the product which fails to conform to this; (b) a refund the purchase price of such product (in its sole discretion), at no cost to the purchaser for the period of the warranty, or (c) an exchange for a similar product, comparable in function and price.
5. Contact the Company directly at 1-(800)-805-1790 to obtain service under this warranty. If it becomes applicable to send a defective product to the Company, a Return Authorization Number must first be obtained from the Company. In order to obtain service under this warranty, purchaser may be required to provide the Company with the following items (a) proof of purchase, (b) photographs and or videos (of the damage, and (c) a written testimonial describing the defect.
6. Products shipped without prior Return Authorization and Return Authorization Number may not be accepted, and the Company will not be responsible for their disposition and/or cost of return to the owner.
7. The Company will not assume any responsibility for any loss or damage incurred in shipping and or delivery.
8. The product(s) must be returned within 14 calendar days of receiving the return authorization from the Company and must include the original proof of purchase for the warranty to be honored.
9. Any implied warranties that the purchaser may have are limited to the duration of the warranties described above. There are no further warranties that extend or apply beyond the face hereof, and the Company expressly disclaims and excludes any and all warranties of merchantability or fitness for a particular purpose. Some states do not allow limitations on how long an implied warranty lasts, so the above limitation may not apply to you.
10. THE REMEDIES DESCRIBED ABOVE ARE YOUR SOLE AND EXCLUSIVE REMEDIES AND THE COMPANY'S ENTIRE LIABILITY FOR ANY BREACH OF THIS LIMITED WARRANTY. OUR LIABILITY SHALL UNDER NO CIRCUMSTANCES EXCEED THE ACTUAL AMOUNT PAID BY YOU FOR THE DEFECTIVE PRODUCT, NOR SHALL WE UNDER ANY CIRCUMSTANCES BE LIABLE FOR ANY CONSEQUENTIAL, INCIDENTAL, SPECIAL OR PUNITIVE DAMAGES OR LOSSES, WHETHER DIRECT OR INDIRECT. SOME STATES DO NOT ALLOW THE EXCLUSION OR LIMITATIONS OF INCIDENTAL OR CONSEQUENTIAL DAMAGES, SO THE LIMITATION MAY NOT APPLY TO YOU.
11. This warranty gives you specific legal rights, and you may also have additional rights which vary from state to state.



ADIME904-01

© 2023 Viva Comfort

vivacomfort.com