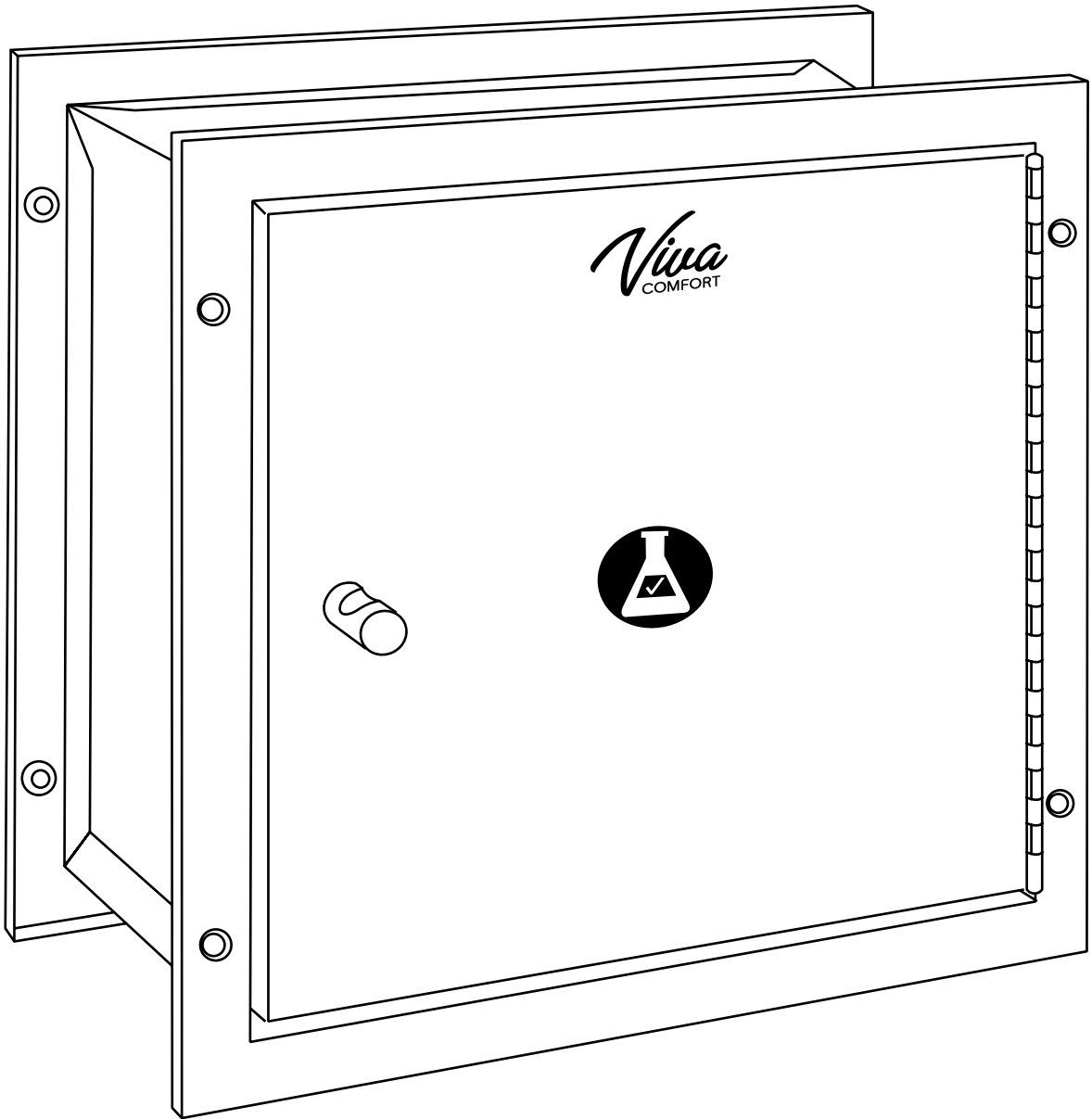


.....

SPECIMEN PASS-THRU CABINET

.....



USER GUIDE

ADIME960-01



Thank you for your purchase.



Viva Comfort maintains a strong practice of ongoing development of products and commercial research.

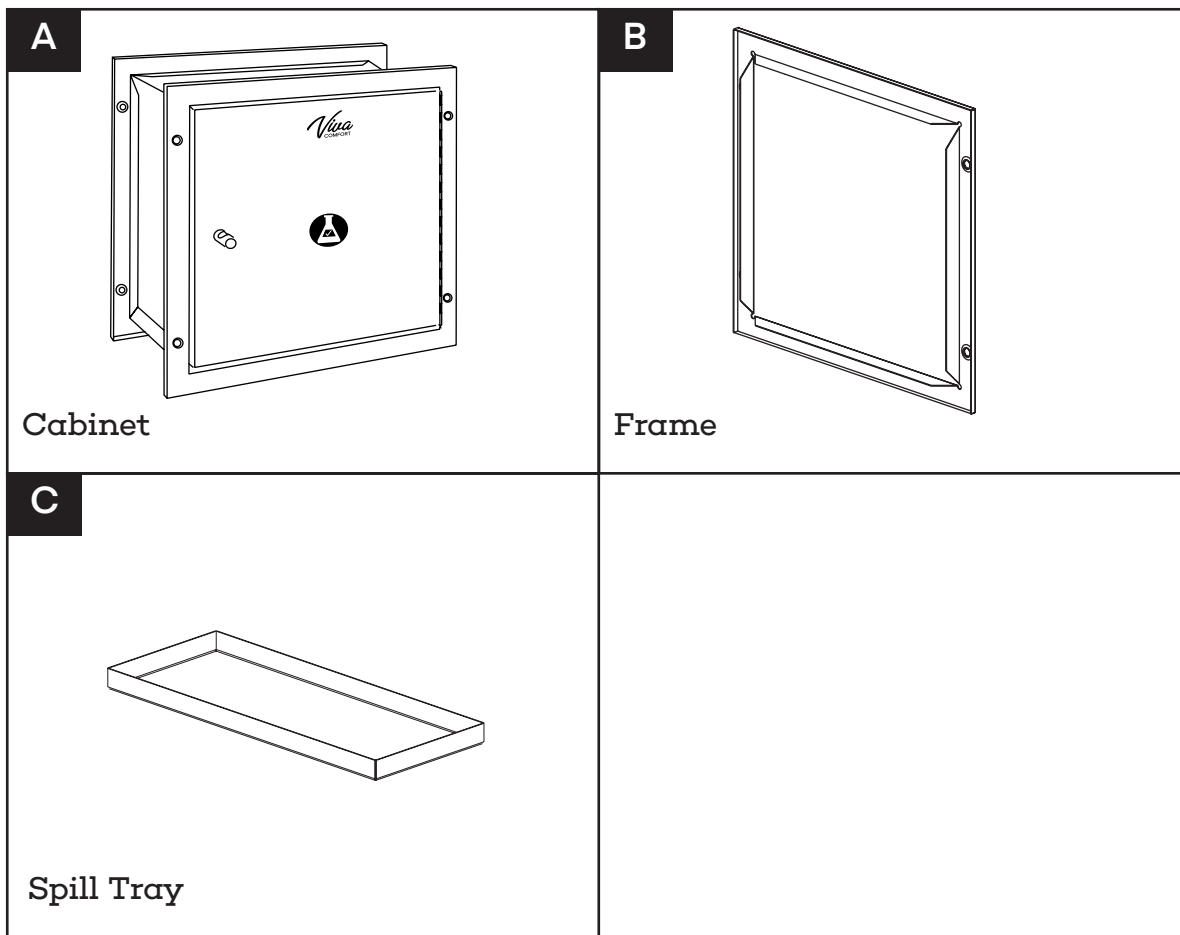


We recognize that starting and maintaining a medical practice is expensive. We'll help make the process cost-effective and elegant. Additionally, our team of specialists will ensure everything you need works as efficiently as possible, so you can effectively treat your clients.

Table of Contents

- 2 Parts List
- 3 Hardware List
- 4 Assembly Instructions
- 13 Warranty

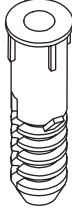
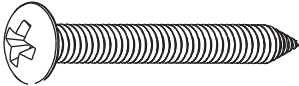
Parts List



Tools Needed (But Not Included):

- Pencil
- Drill
- Drill Bit
- Level
- Stud Finder
- Tape Measure
- Sheet Rock Saw
- Electric Screwdriver
- Philips Head Screwdriver

Hardware List

<p>1</p>  <p>Plastic Anchor (x8)</p>	<p>2</p>  <p>Wood Screw (x8)</p>
--	---

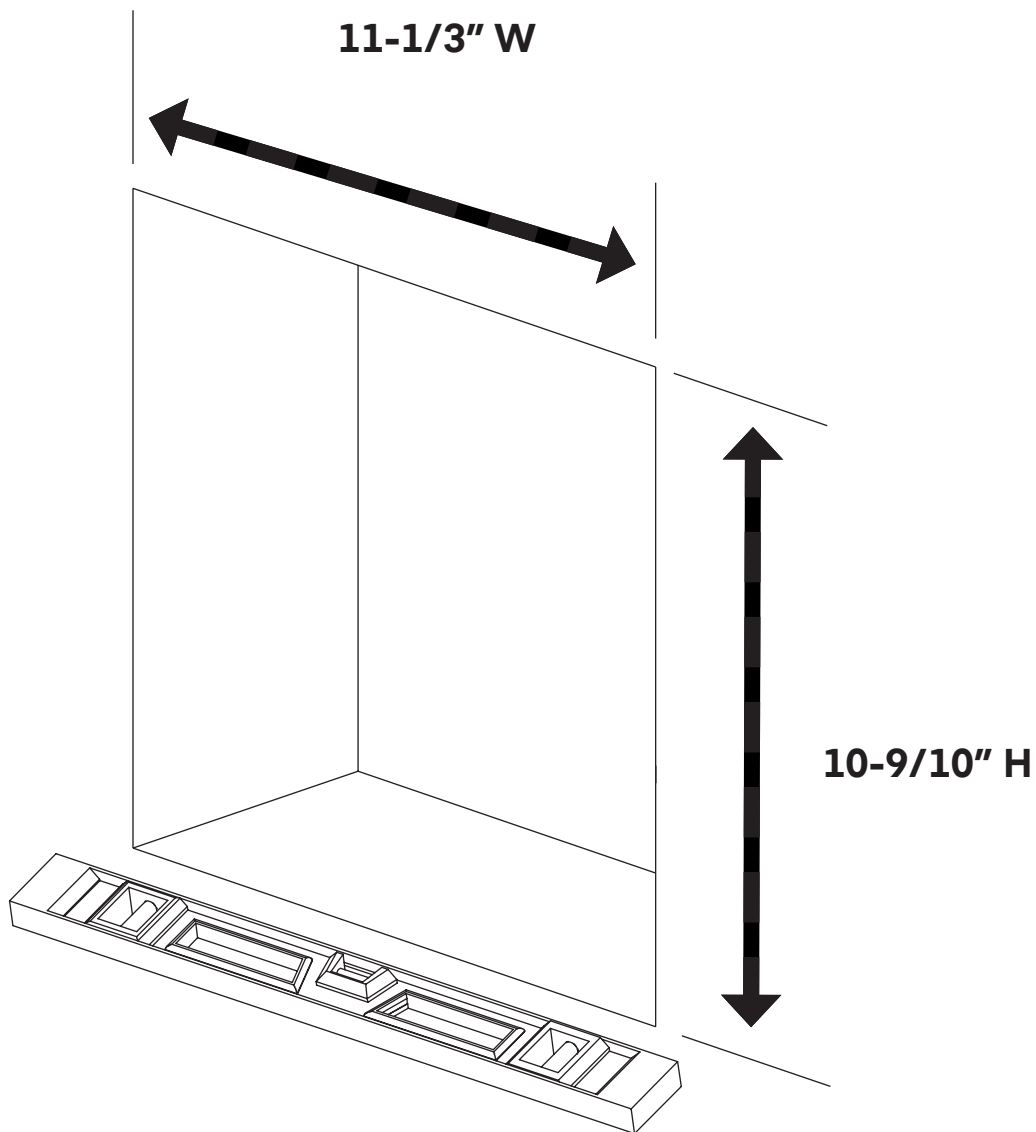
Assembly Instructions

NOTE:

- We recommend two people complete this installation.
- If you are unsure or nervous about cutting into your wall, we suggest consulting with a contractor.
- Ensure you use a stud finder prior to cutting into your wall; this will guarantee that you will not be cutting into any studs.
- Do not use a power saw when making the opening for the specimen cabinet in case there are electrical wires, plumbing, or gas lines running through the wall.

Step 1:

- A. Prepare the opening in the wall where you will install the Pass Thru Specimen Cabinet by cutting a square opening 10-9/10" H x 11-1/3" W.
 - a. Ensure everything is level so that when you insert the cabinet, it will sit straight when installed.
 - b. Measure the depth of your wall after you've cut the hole and mark it down.



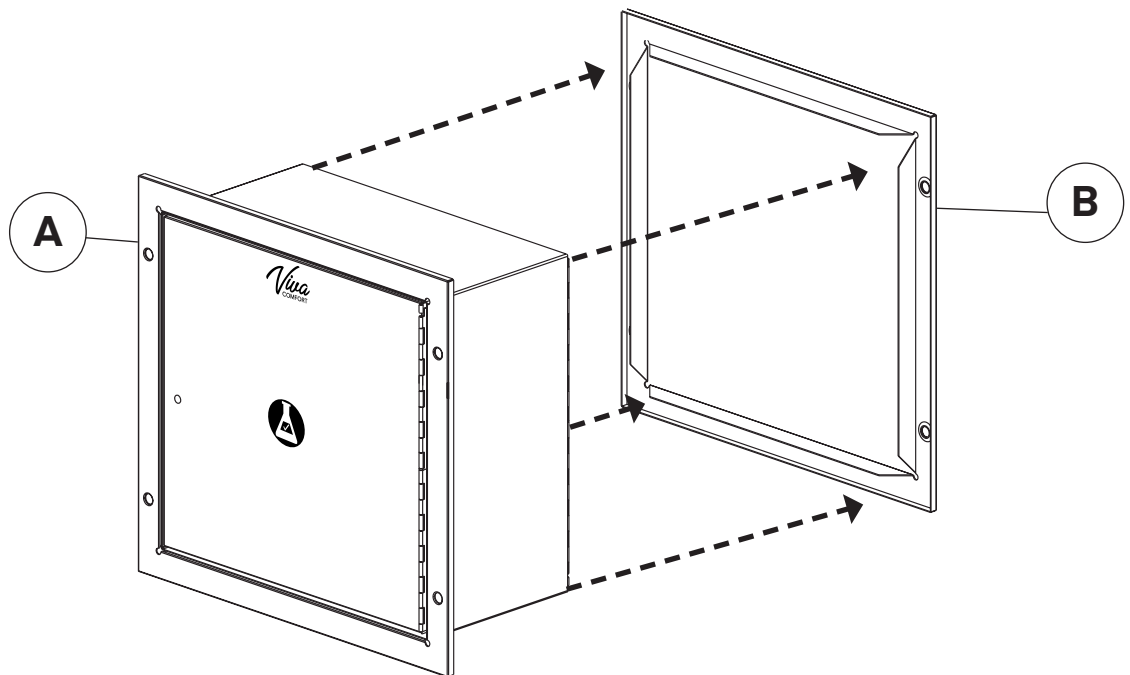
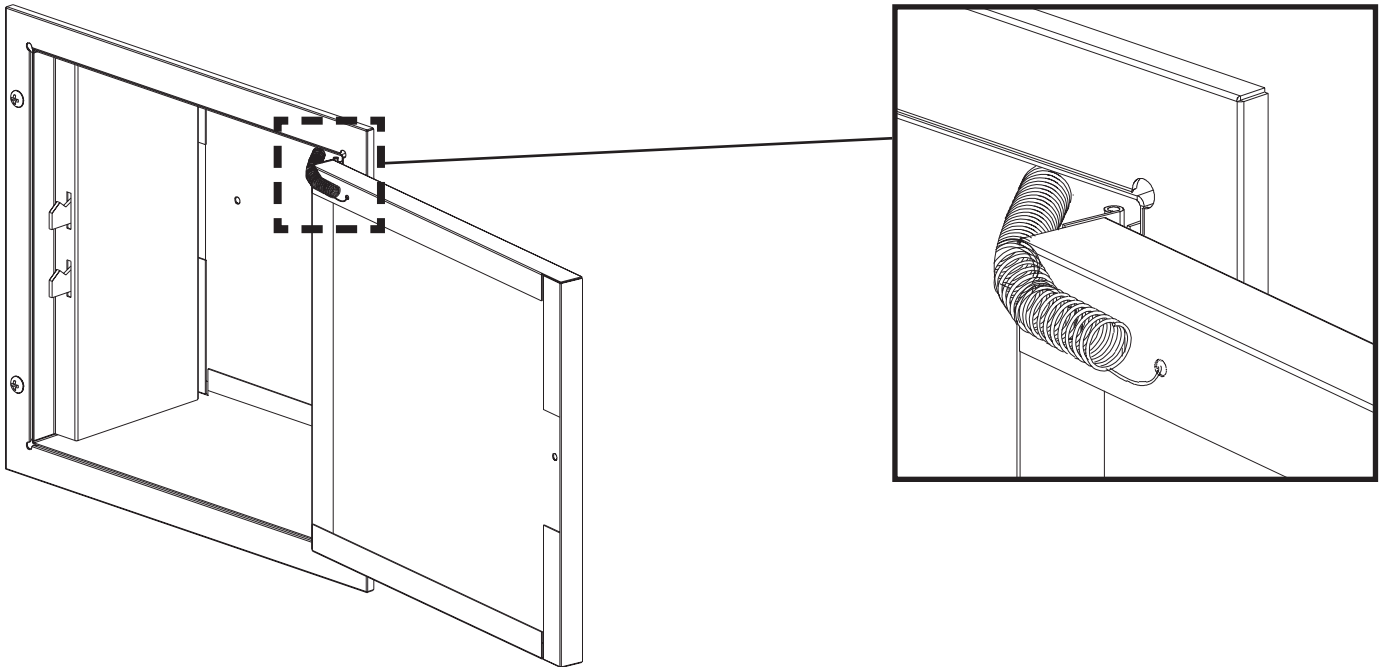
Step 2:

A. Take the Cabinet (A) and set it on a flat, clean surface.

a. Ensure it is facing up by checking the inside of the Cabinet (A) to see if the spring on the interior of the door is facing up, as pictured.

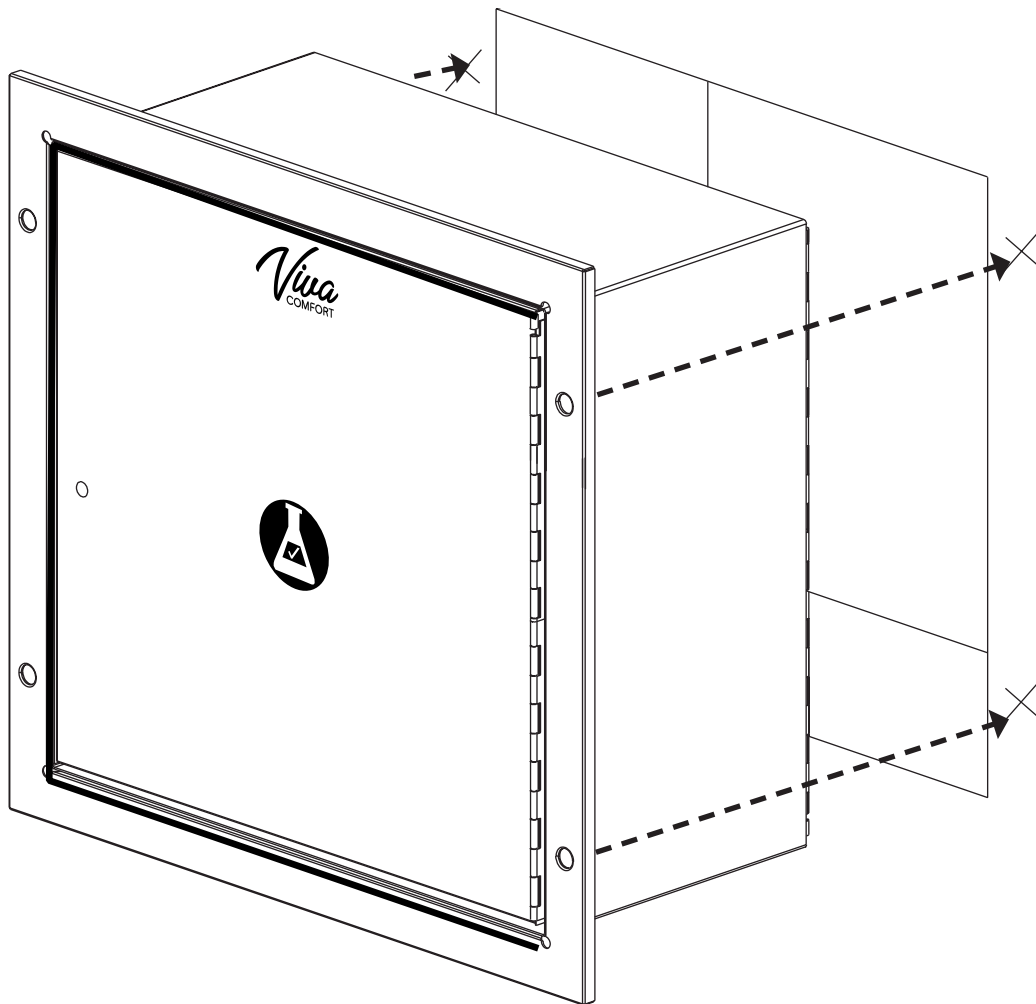
B. Remove the Frame (B) from the Cabinet (A).

a. Note, the Frame (B) can be adjusted depending on the wall's depth from 1" to 5 1/2".



Step 3:

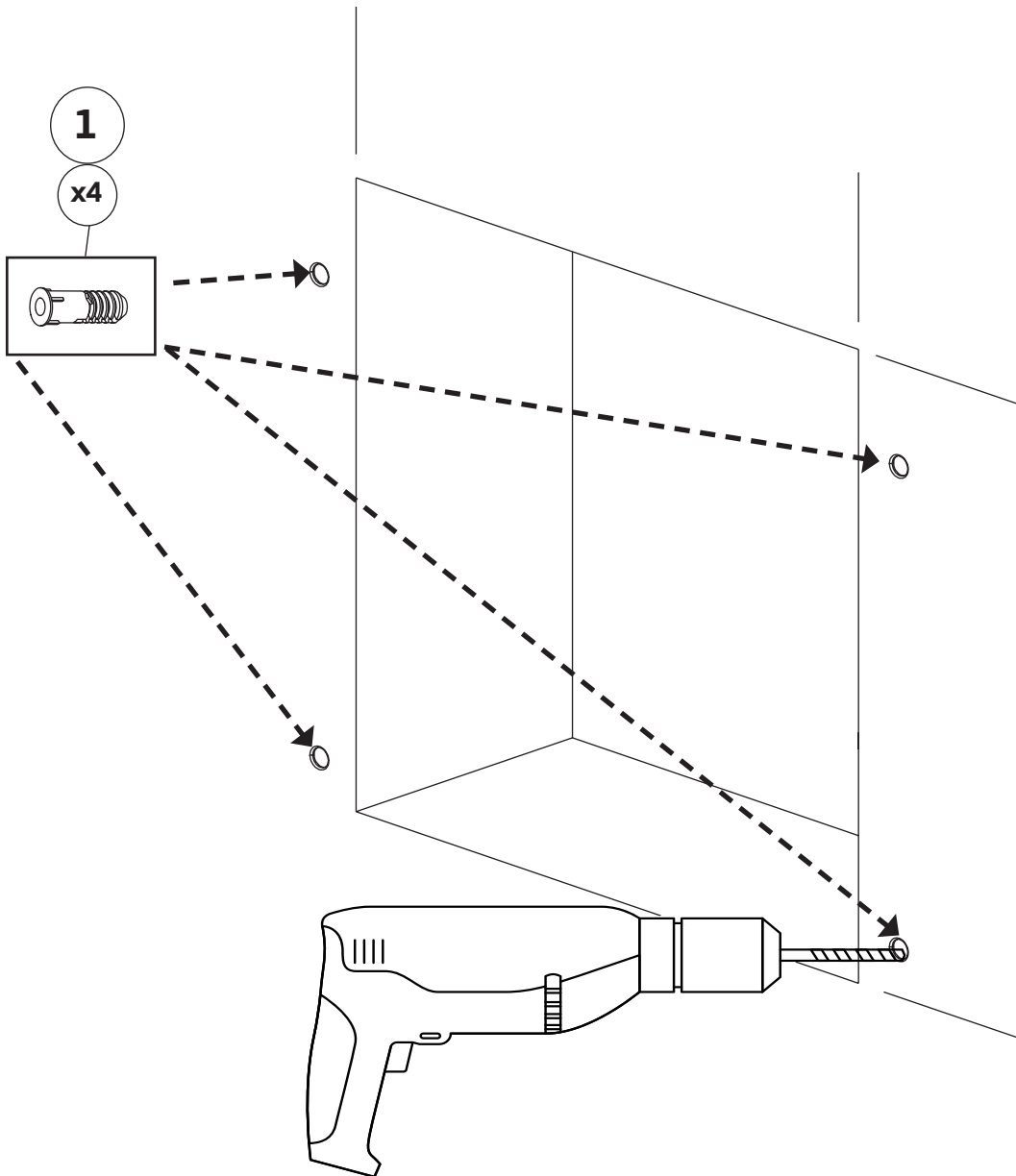
- A.** On both sides of the Cabinet (A) you will see 4 predrilled holes; this is for your mounting hardware.
- B.** Take the Cabinet (A) and move it into position with the hole you cut.
- C.** Mark on the wall with a pencil, through the 4 predrilled holes.
 - a.** Put the Cabinet (A) down, on a flat surface.



Step 4:

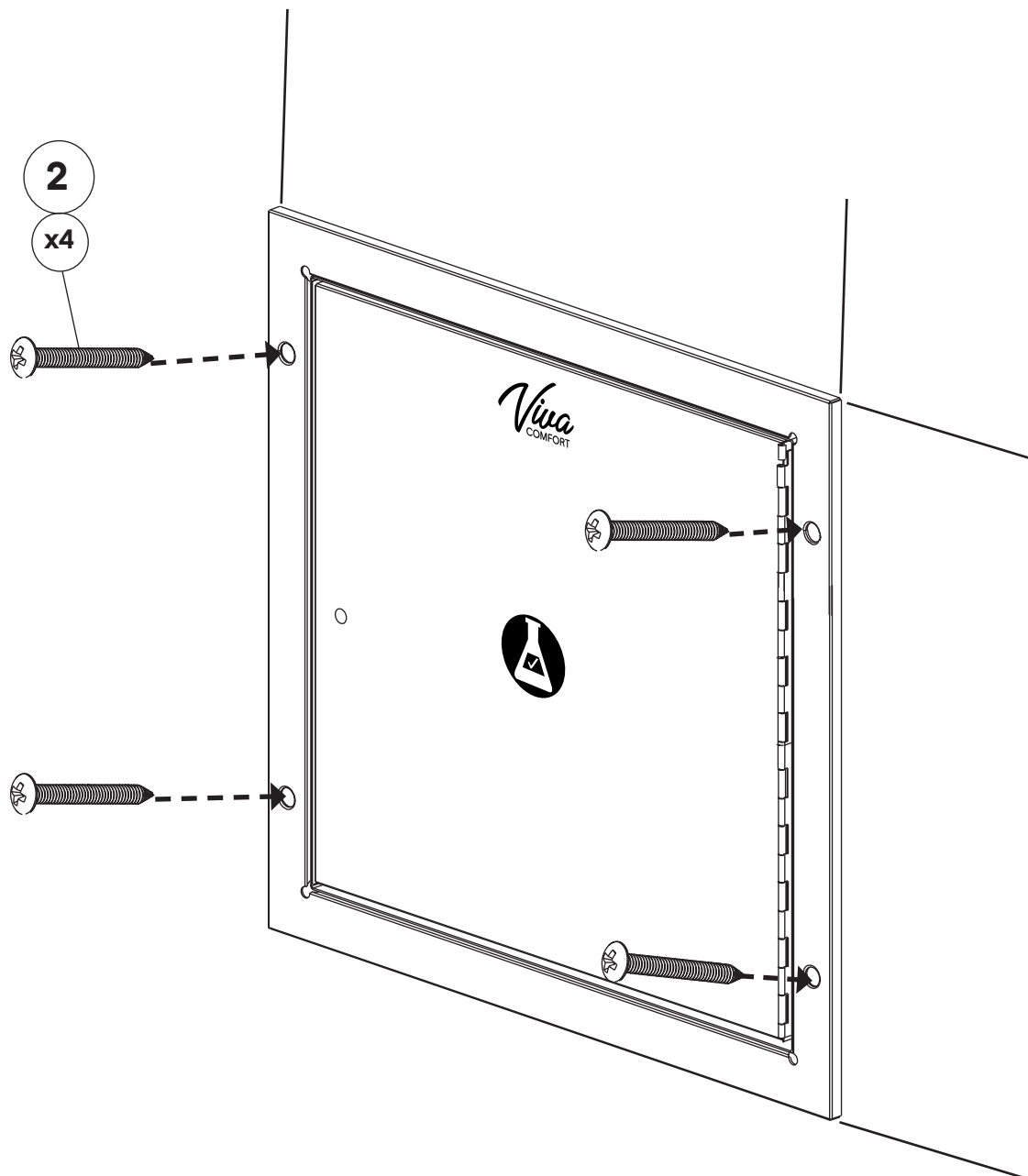
A. Drill four, 1/6" diameter holes at a depth of 1-2/11".

a. Insert four Plastic Anchors (1) into the holes you drilled.



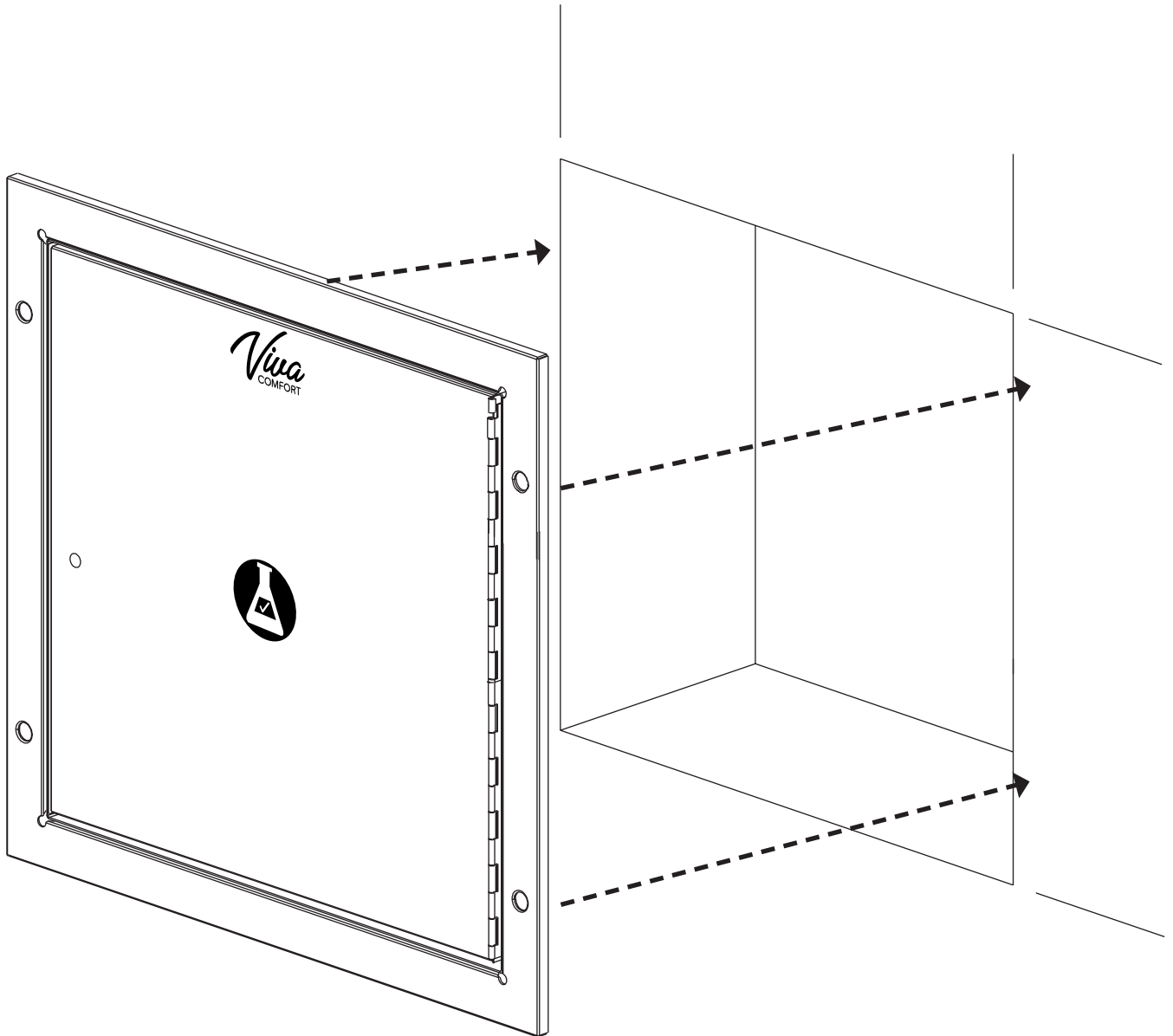
Step 5:

A. Insert the Cabinet (A) into the cutout and secure four, Wood Screws (2) using an electric screwdriver.



Step 6:

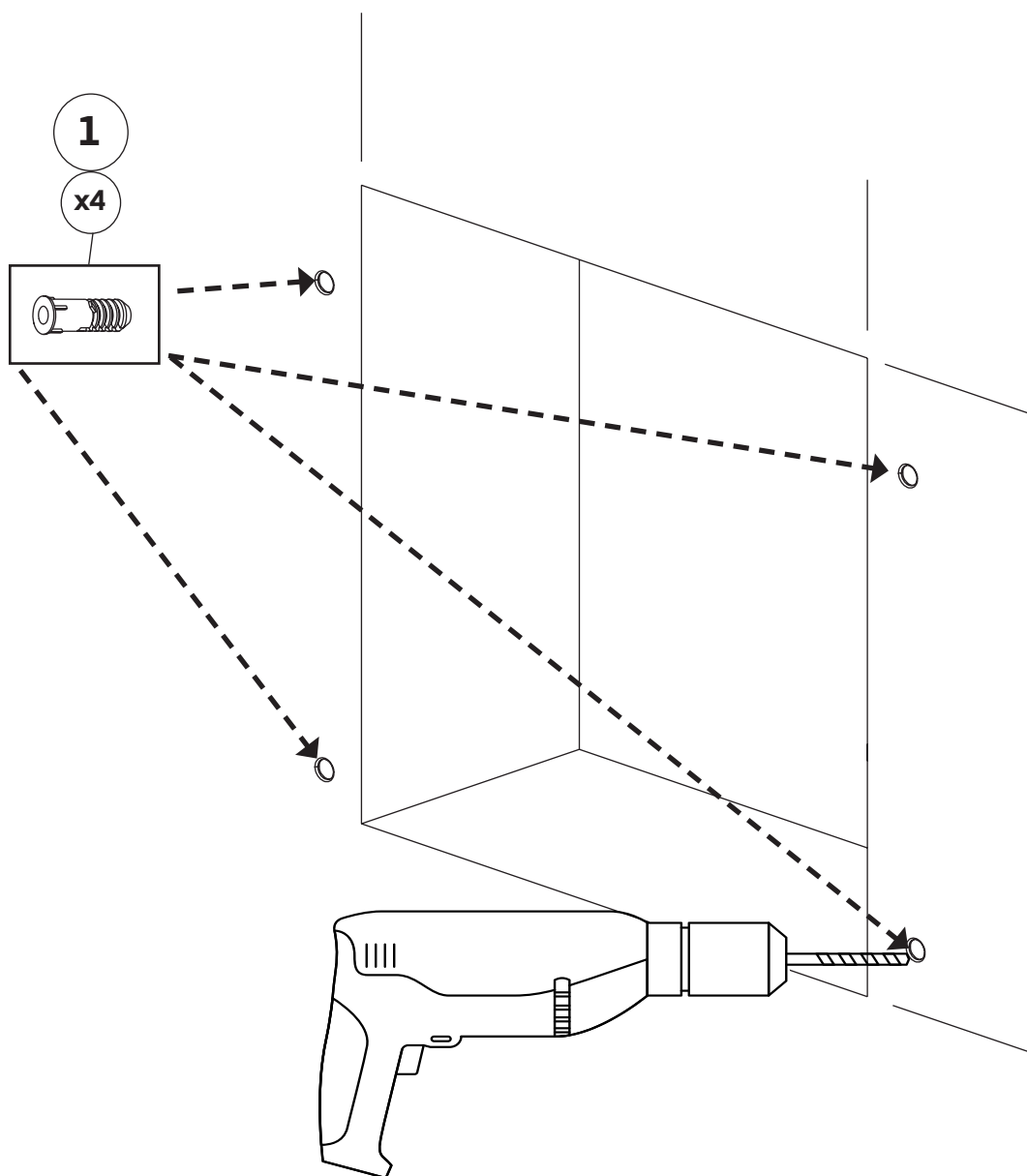
- A.** Take the Frame (B) and go to the opposite side of the opening in the wall.
- B.** Line up the Frame (B) with the opening and mark on the wall with a pencil, through the 4 predrilled holes located on the sides of the Frame (B).
 - a.** Put the Frame (B) down, on a flat surface.



Step 7:

A. Drill four, 1/6" diameter holes at a depth of 1-2/11".

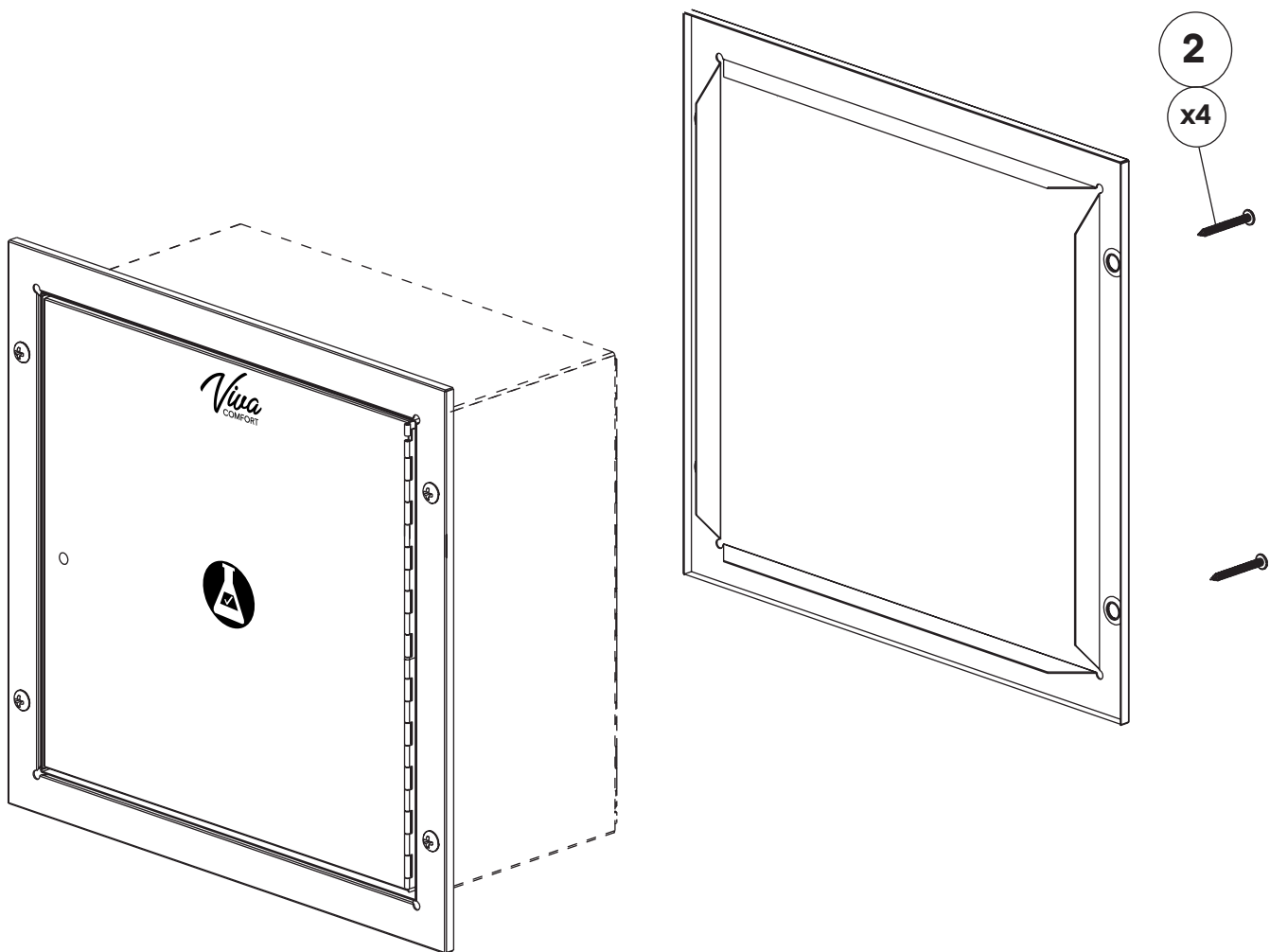
a. Insert four Plastic Anchors (1) into the holes you drilled.



Step 8:

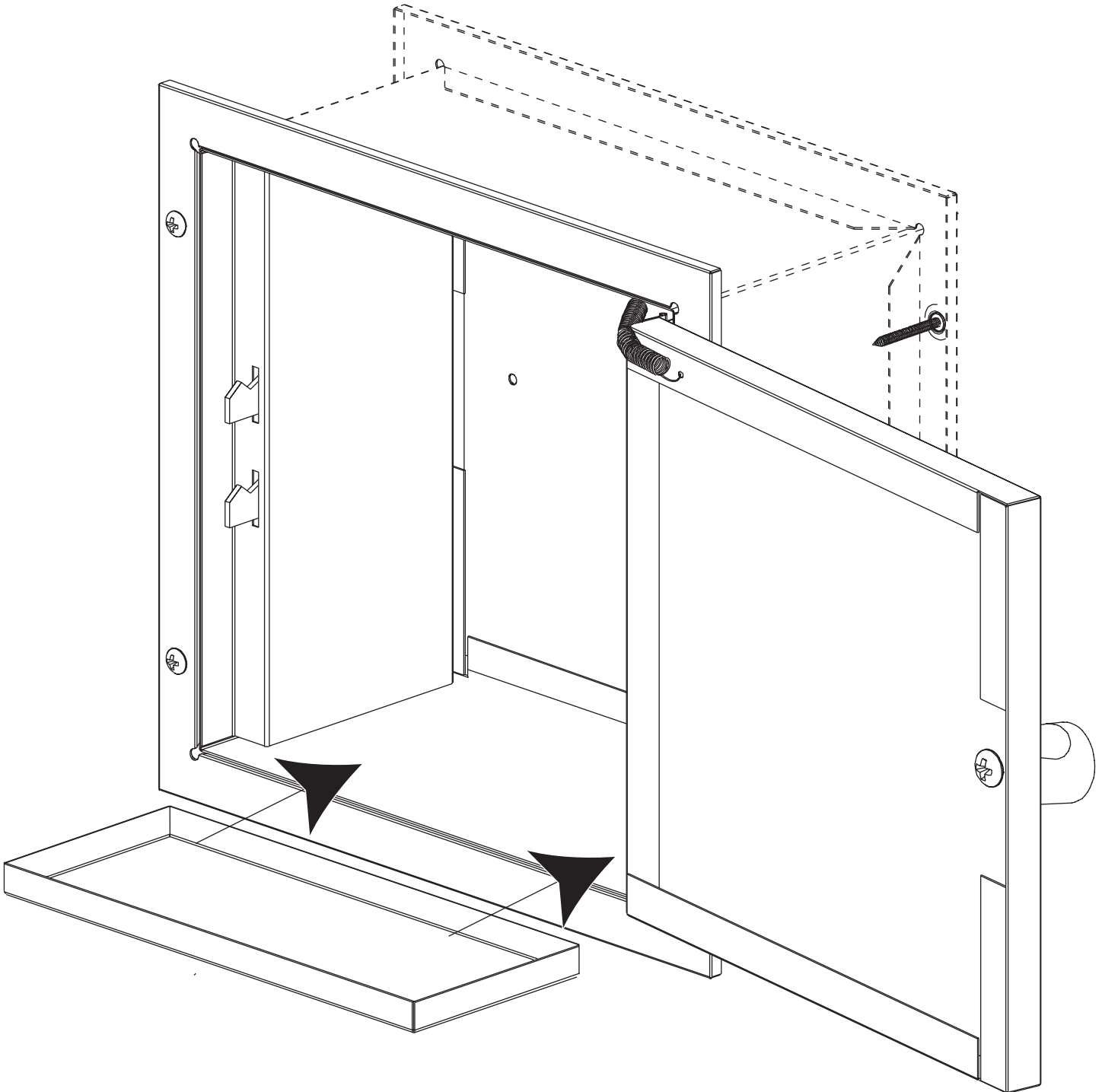
A. Adjust the Frame's (B) depth depending on the depth of the wall.

B. Insert the Frame (B) into the cutout and secure four, Wood Screws (2) using an electric screwdriver.



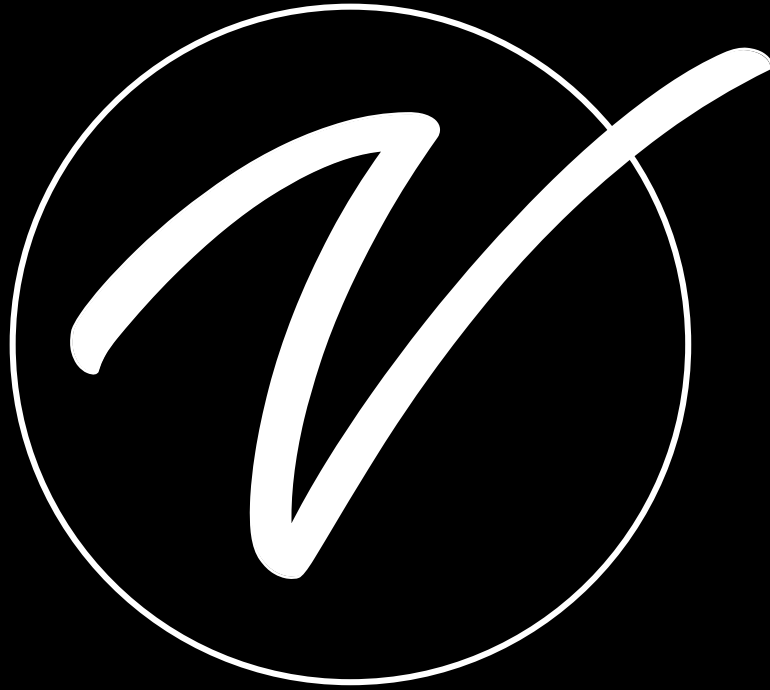
Step 9:

- A.** Insert the Spill Tray (C) into the Cabinet, as pictured.
- B.** The doors of the specimen cabinet are interlocking.
 - a.** This means that when one door is open, the opposite door will be locked.
- C.** Your Specimen Pass-Thru Cabinet is now ready to be used.



Warranty

1. Viva Comfort (the "Company" or "Tiger Companies") warrants to the purchaser that the product will be free from defects in workmanship and materials for a period of 1 year from the date of purchase. The warranty period is not extended if we repair, replace, exchange, or provide a refund for the product (as determined in our sole discretion). We may change the availability of this limited warranty at our discretion, but any changes will not be retroactive.
2. These warranties are not assignable or transferable to any other person, including, without limitation, any subsequent owner or other transferee of the product.
3. This Warranty does not apply to: (a) damage caused by misuse, tampering, abuse, neglect, or accident; (b) damage caused by improper installation, modification, or service; (c) alteration of the serial number; or (d) use that violates the instructions furnished by the Company will void this warranty.
4. The sole responsibility of the Company shall be limited to (a) the repair or replacement (in its sole discretion) of any component of the product which fails to conform to this; (b) a refund the purchase price of such product (in its sole discretion), at no cost to the purchaser for the period of the warranty, or (c) an exchange for a similar product, comparable in function and price.
5. Contact the Company directly at 1-(800)-805-1790 to obtain service under this warranty. If it becomes applicable to send a defective product to the Company, a Return Authorization Number must first be obtained from the Company. In order to obtain service under this warranty, purchaser may be required to provide the Company with the following items (a) proof of purchase, (b) photographs and or videos (of the damage, and (c) a written testimonial describing the defect.
6. Products shipped without prior Return Authorization and Return Authorization Number may not be accepted, and the Company will not be responsible for their disposition and/or cost of return to the owner.
7. The Company will not assume any responsibility for any loss or damage incurred in shipping and or delivery.
8. The product(s) must be returned within 14 calendar days of receiving the return authorization from the Company and must include the original proof of purchase for the warranty to be honored.
9. Any implied warranties that the purchaser may have are limited to the duration of the warranties described above. There are no further warranties that extend or apply beyond the face hereof, and the Company expressly disclaims and excludes any and all warranties of merchantability or fitness for a particular purpose. Some states do not allow limitations on how long an implied warranty lasts, so the above limitation may not apply to you.
10. THE REMEDIES DESCRIBED ABOVE ARE YOUR SOLE AND EXCLUSIVE REMEDIES AND THE COMPANY'S ENTIRE LIABILITY FOR ANY BREACH OF THIS LIMITED WARRANTY. OUR LIABILITY SHALL UNDER NO CIRCUMSTANCES EXCEED THE ACTUAL AMOUNT PAID BY YOU FOR THE DEFECTIVE PRODUCT, NOR SHALL WE UNDER ANY CIRCUMSTANCES BE LIABLE FOR ANY CONSEQUENTIAL, INCIDENTAL, SPECIAL OR PUNITIVE DAMAGES OR LOSSES, WHETHER DIRECT OR INDIRECT. SOME STATES DO NOT ALLOW THE EXCLUSION OR LIMITATIONS OF INCIDENTAL OR CONSEQUENTIAL DAMAGES, SO THE LIMITATION MAY NOT APPLY TO YOU.
11. This warranty gives you specific legal rights, and you may also have additional rights which vary from state to state.



ADIME960-01

© 2023 Viva Comfort

vivacomfort.com