



**Q4 2023**

# **PRODUCT CATALOG**



# LEADING THE WAY IN HEALTHCARE SOLUTIONS

At Viva Comfort, we are the vanguards of contemporary medical equipment, bridging critical gaps in the industry with our innovative and modern solutions.

Our cutting-edge solutions set new standards for design, comfort, and care, and redefine the essence of patient-centric healthcare. Embrace a revolution in luxury with Viva Comfort, where excellence, durability, and innovation provide unparalleled medical solutions.



*Viva*  
COMFORT

# PRODUCT CATEGORIES

**2** Slim-Line Exam Tables

---

**5** Grande Exam Tables

---

**8** Noble-Line Treatment Tables

---

**11** Elite-Line Power Treatment Tables

---

**20** Exam Room Cabinets

---

**25** Medical Scales

---

**34** Exam Stools

---

**36** Blood Drawing Chairs

---

**41** Exam Room Packages

---

2

# SLIM-LINE EXAM TABLES



## SLIM-LINE EXAM TABLE

- Pull-out step stool
- Dual-sided cabinet
- Adjustable backrest
- Optional paper roll dispenser and paper cutter
- Storage space for paper rolls under the mattress
- All-laminated frame for longevity and easy cleaning
- Antimicrobial mattress provides a hygienic environment
- Soft-closing, two-drawer set, and dual-sided cabinets gives ample space to hold medical supplies
- Base Dimensions: 29" H X 24.5" W X 47" L
- Length with Leg Rest Extended: 72" L
- Mattress Dimensions: 2.75" H X 27" W X 58" L
- Total Weight: 230 lb



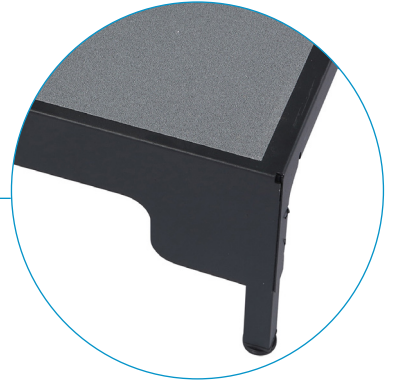
*Pull-Out Leg Rest*



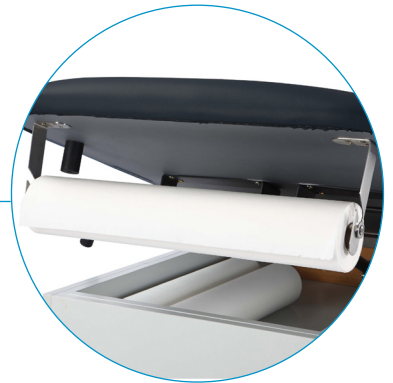
4 Slim-Line Exam Tables



*Pull-Out Step Stool*



*Paper Roll Dispenser  
and Paper Cutter*



*\*Also Available Separately\**  
# ADI996-FBASE-DISPENSER



*Dual-Sided Cabinet*



# GRANDE EXAM TABLES



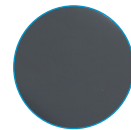
## GRANDE STEEL EXAM TABLE

- Adjustable backrest
- Pull-out step stool
- Dual-sided cabinet
- Includes stirrups with contoured heel cups
- Includes paper roll dispenser and paper cutter
- Storage space for paper rolls under the mattress
- Stainless-steel frame for longevity and easy cleaning
- Antimicrobial mattress provides a hygienic environment
- Two-drawer set gives ample space to hold medical supplies
- Base Dimensions: 29" H X 27" W X 48" L
- Length with Leg Rest Extended: 72" L
- Mattress Dimensions: 2" H X 28" W X 58" L
- Total Weight: 200 lb



**MIDNIGHT EXPRESS**

# ADI996-09-S-BLU



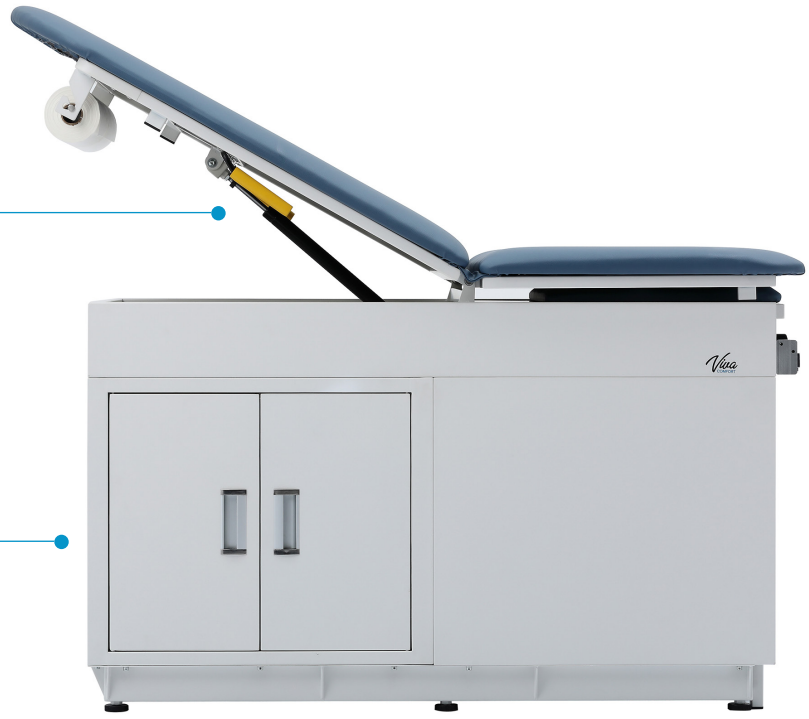
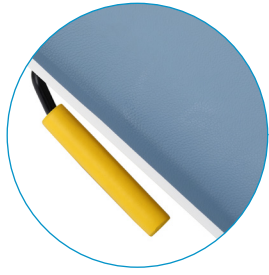
**BLACK**

# ADI996-09-S-BLK

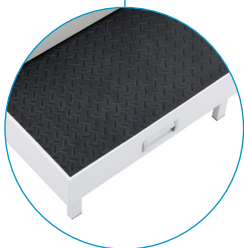




*Pneumatic Adjustment*



*Two-Storage Shelves*



*Pull-Out Step Stool*

*Paper Roll Storage*



*Stirrups*



8

# NOBLE-LINE TREATMENT TABLES



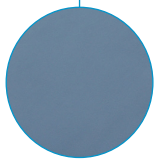
# NOBLE-LINE ADJUSTABLE TREATMENT TABLE WITH PAPER DISPENSER

- Foldable leg design helps provides space-saving storage
- Stainless-steel frame for longevity and easy cleaning
- Includes paper roll dispenser and paper cutter
- Overall Dimensions: 31.5" H X 27.5" W X 75.5" L
- Total Weight: 60 lb
- Adjustable backrest
- Rubber feet help prevent floor scratches
- Antimicrobial mattress provides a hygienic environment



**BLACK**

# ADI996-01-BLK



**MIDNIGHT EXPRESS**

# ADI996-01-BLU

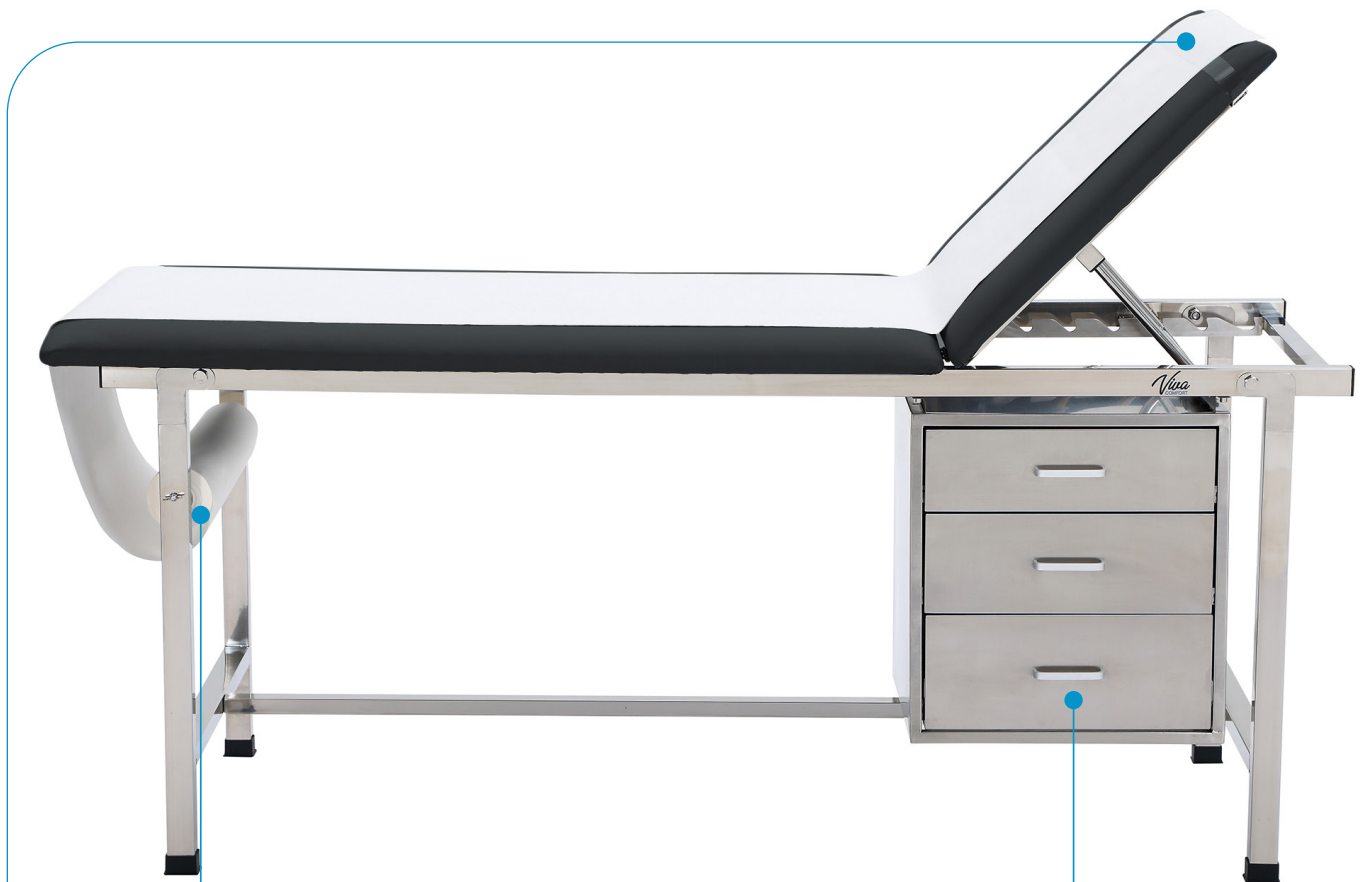
## SANITATION

Antimicrobial mattress provides safe and hygienic environment, and reduces the risk of cross-contamination

*2-INCH PADDED  
FOAM PU LEATHER  
UPHOLSTERY*



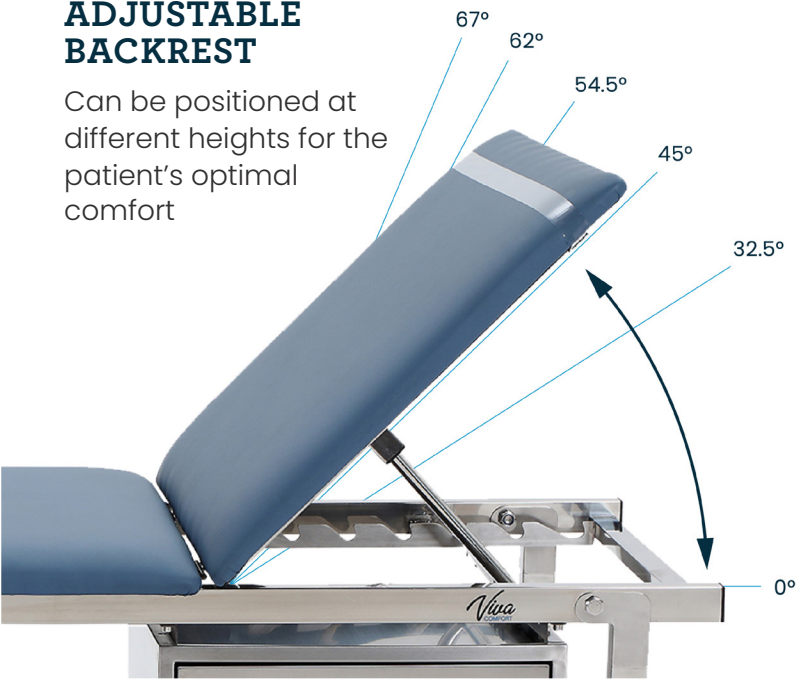
**FOLDABLE LEGS**



Includes  
**PAPER CUTTER  
AND DISPENSER**

**ADJUSTABLE  
BACKREST**

Can be positioned at  
different heights for the  
patient's optimal  
comfort



Also available with  
**3 DRAWER SET**

# ADI996-01-DR-3

# ELITE-LINE

## POWER TREATMENT TABLES



## ELITE-LINE OPEN BASE POWER EXAM TABLE

### 3-Section

- Overall Dimensions:  
18.89"-35.4" H X 26" W X 77" L
- Total Weight: 145.5 lb

- Built-in face cutouts
- Hands-free height adjustment
- Adjustable feet for uneven surfaces
- Hi-lo function can be located from all four sides
- Foot release caster system makes it easy to move
- Antimicrobial upholstery can be easily sterilized
- Gas spring system for back and head adjustment
- Removable stirrups sold separately

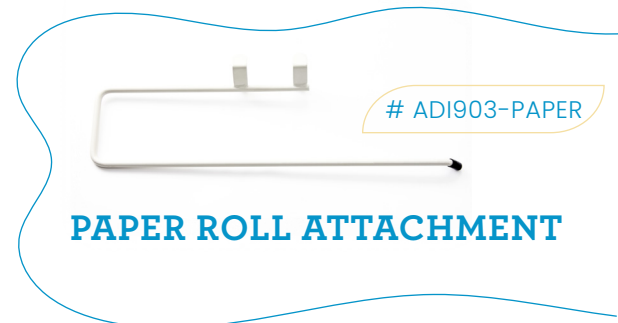


# ADI903-01



*Stirrups Sold Separately*

# ADI903-01-STIRR



**PAPER ROLL ATTACHMENT**

*Removable Stirrups*  
Provides optimal support



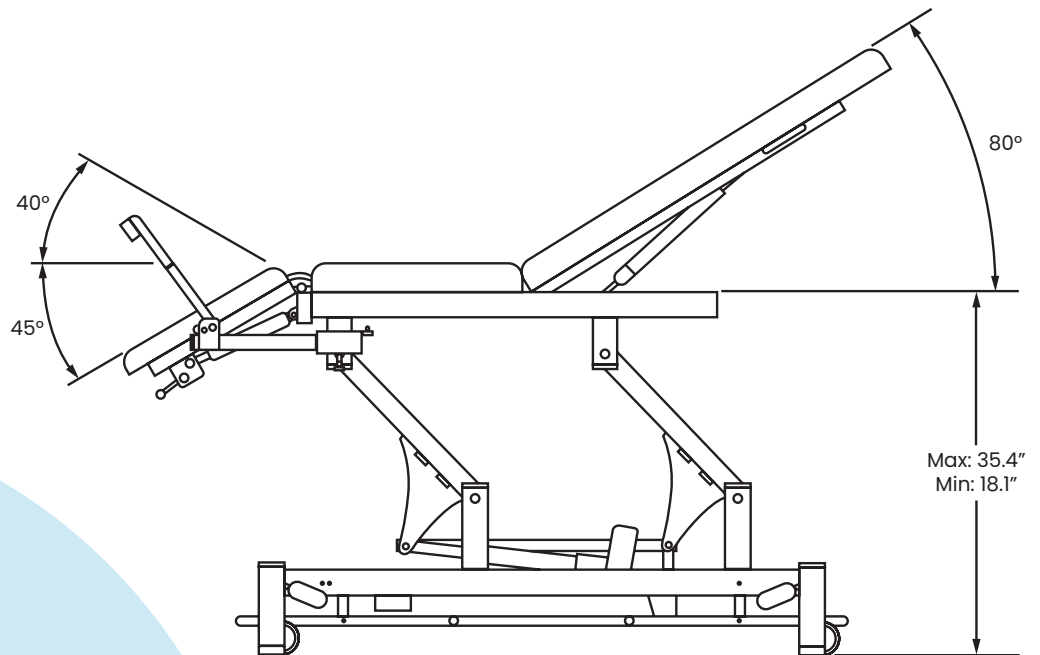
*Removable Face Cutout*  
Provides unobstructed breathing



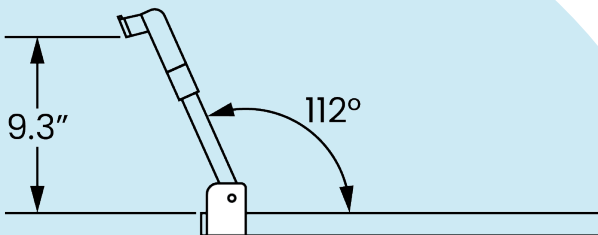
*Hands-Free Height Adjustment*  
With the use of the foot bar



*Foot Release Caster System*  
Makes the table mobile or stationary



**STIRRUP**



## ELITE-LINE HI-LO POWER MAT THERAPY TABLE

- Overall Dimensions:  
18.89"– 36.61" H X 47" W X 75" L
- Total Weight: 210 lb

- Extra-wide size
- Includes guard rails
- Built-in face cutouts
- Hands-free height adjustment
- Adjustable feet for uneven surfaces
- Hi-lo function can be located from all four sides
- Foot release caster system makes it easy to move
- Antimicrobial upholstery can be easily sterilized

# ADI903-02



ADA  
COMPLIANT



550 LB  
CAPACITY

### GUARD RAILS

Straightforward side rail design enables quick installation of the safety rails



# ADI903-PAPER

PAPER ROLL ATTACHMENT





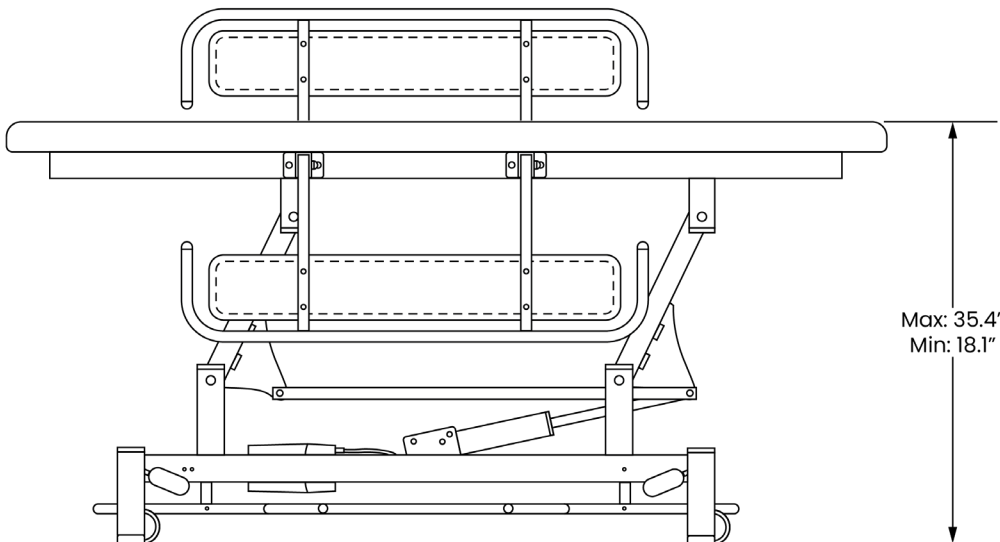
*Removable Face Cutout*  
Provides unobstructed breathing



*Hands-Free Height Adjustment*  
With the use of the foot bar



*Foot Release Caster System*  
Makes the table mobile or stationary

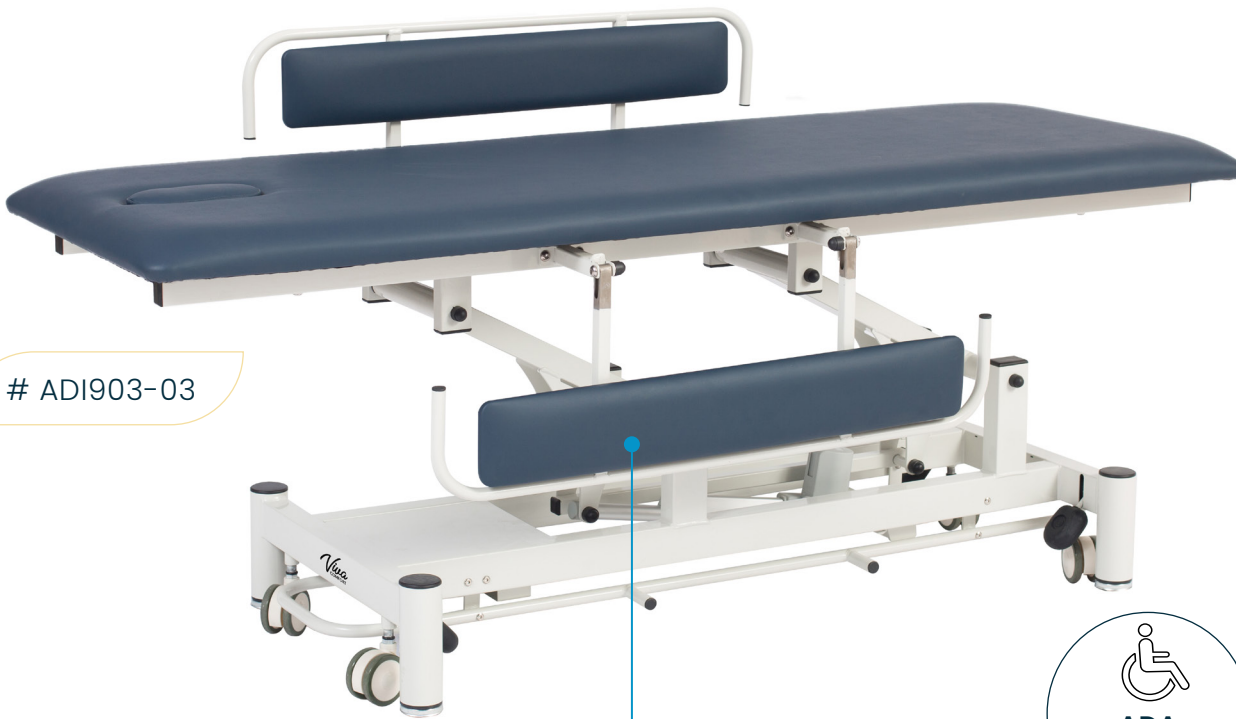


## ELITE-LINE HI-LO POWER TREATMENT TABLE

### With Padded Side Rails

- Overall Dimensions: 18.89" - 36.6" H X 26" W X 70" L
- Total Weight: 142 lb.

- Includes guard rails
- Built-in face cutouts
- Hands-free height adjustment
- Adjustable feet for uneven surfaces
- Hi-lo function can be located from all four sides
- Foot release caster system makes it easy to move
- Antimicrobial upholstery can be easily sterilized



# ADI903-03



ADA  
COMPLIANT



550 LB  
CAPACITY

### GUARD RAILS

Straightforward side rail design enables quick installation of the safety rails



# ADI903-PAPER

PAPER ROLL ATTACHMENT



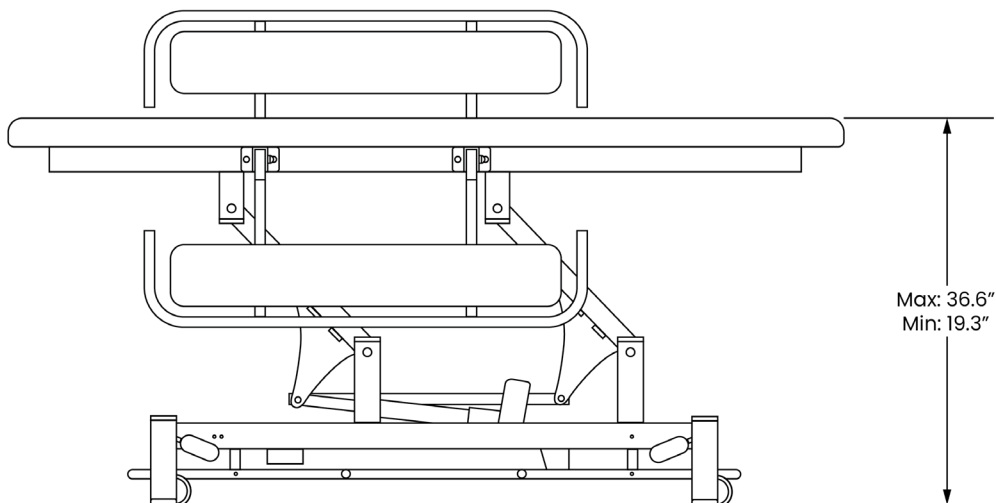
*Removable Face Cutout*  
Provides unobstructed breathing



*Hands-Free Height Adjustment*  
With the use of the foot bar



*Foot Release Caster System*  
Makes the table mobile or stationary



- Manual footrest
- Heavy-duty wheels
- Antimicrobial upholstery
- Pneumatic adjustable backrest
- Remarkable weight capacity of 550 lbs
- 10" x 10" drop window to enhance accessibility
- Easy-to-use hand control for height adjustments
- All-welded base and top frame, equipped with a dual-column lift system
- Additional accessories available

## ELITE-LINE MULTI-USE IMAGING POWER TABLE

With 3-Section Top & Drop Window

# ADI903-04

- Overall Dimensions: 21.45"-37.2" H X 27.5" W X 77" L
- Total Weight: 242 lb

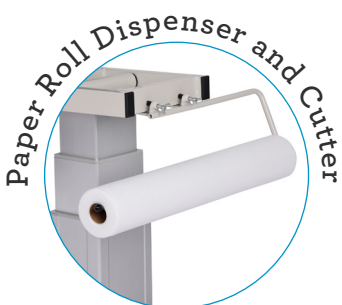


**LB**  
**1,100 LB STATIC WEIGHT CAPACITY**

**550 LB DYNAMIC WEIGHT CAPACITY**



### AVAILABLE ACCESSORIES:



# ADI903-04-PA



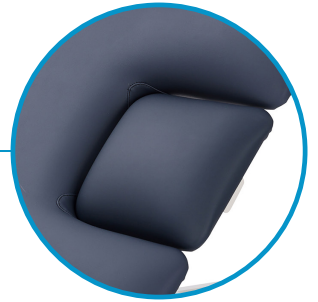
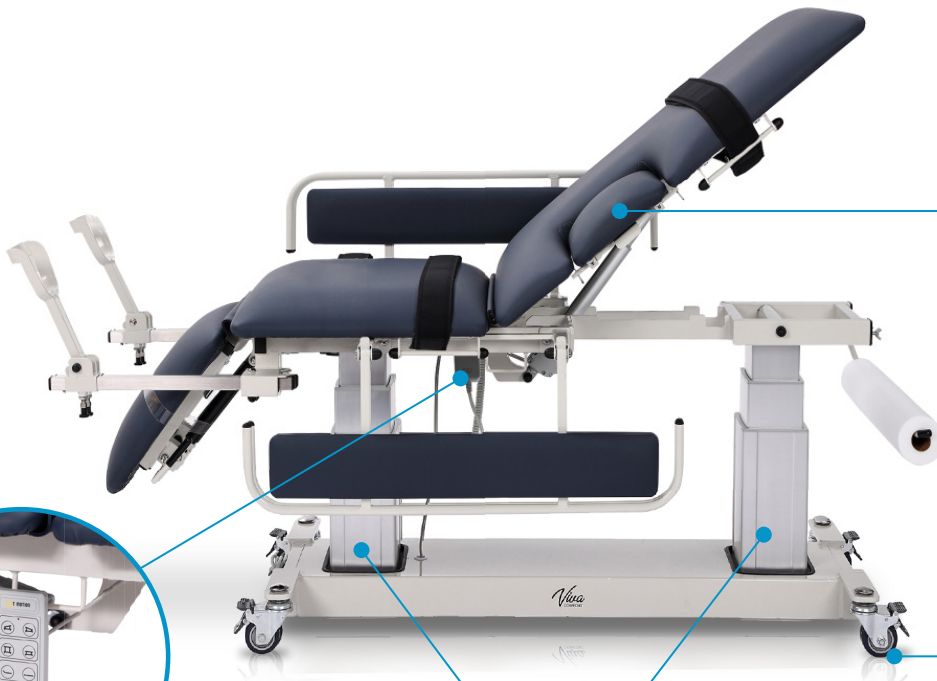
# ADI903-04-RA



# ADI903-04-SS



# ADI903-04-STIR



10"x 10" Drop Window  
Enhances accessibility

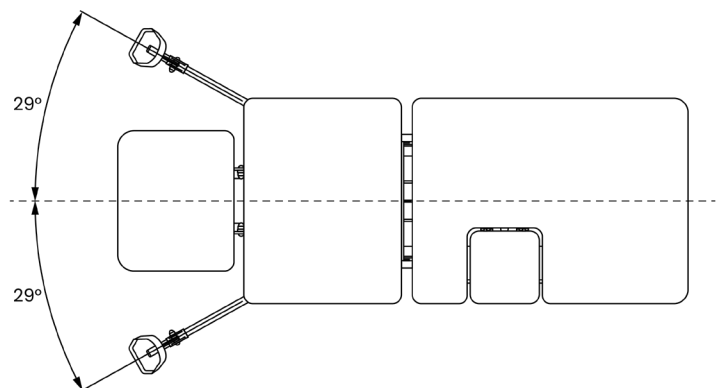
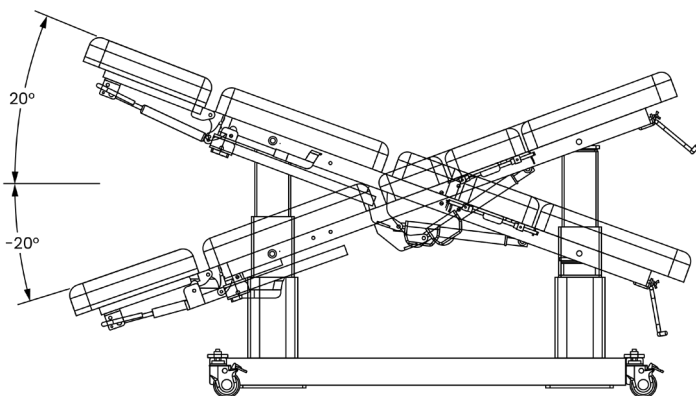
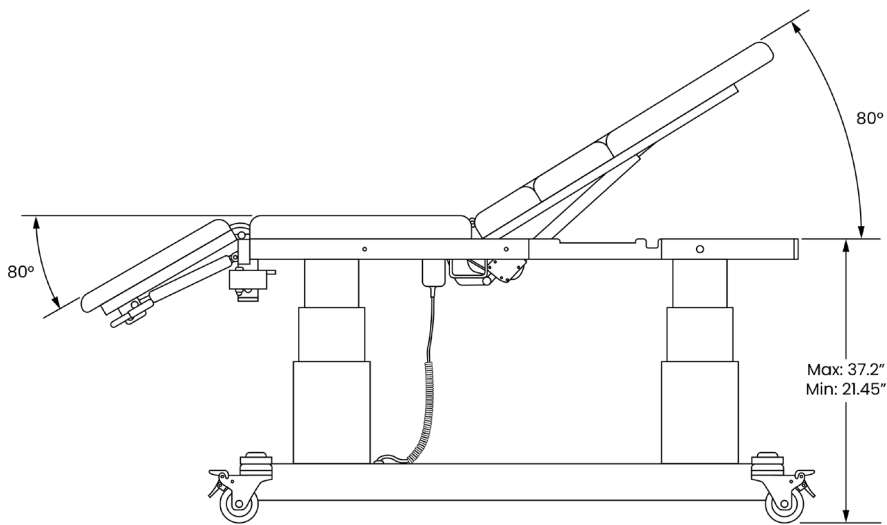


Cable Management System  
Built-in power cord storage



Medical Grade  
3" Heavy-Duty Wheels  
Can handle the table's  
weight capacity

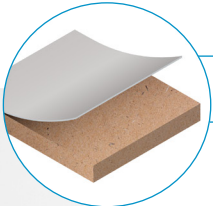
Dual-Column Lift System  
Enables quick and smooth  
height adjustments



20

# EXAM ROOM CABINETS





**Antimicrobial Laminate**  
**MDF**



**MATERIAL:**

- Constructed from long-lasting MDF material
- Chip-resistant edges that can handle bumps and bangs
- Exclusive antimicrobial high-pressure laminate exterior

**FINISH:**

Versatile grey finish will seamlessly blend into your medical facility

**HARDWARE:**

Deluxe soft-closing drawer rails and door hinges are equipped on our wall and base cabinets



## 36-INCH BASE CABINET

### With Left Sink, Right Sink, or No Sink

- Easy-to-clean surfaces
  - Modern aluminum handles
  - Each cabinet has 3 drawers and 1 door
  - Backsplash of 3.125" to protect your walls
  - Overall Dimensions: 35.5" H X 36" W X 19" D
- Exclusive antimicrobial high-pressure laminate
  - Soft-close hinges and adjustable interior shelves
  - Chip-resistant edges can handle bumps and bangs without degrading
  - Medical sink that is ideal for regularly disinfecting your hands

#### Stainless Steel Medical Sink

7.87" x 16.9" x 16.9"

Faucet Style: Gooseneck



#### Cabinet With Left Sink

# ADIME902-BASE-36-LS-GRY

#### Cabinet With Right Sink

# ADIME902-BASE-36-RS-GRY

#### Cabinet With No Sink

# ADIME902-BASE-36-NS-GRY





## 48-INCH BASE CABINET

### With Left Sink, Right Sink, or No Sink

- Easy-to-clean surfaces
- Modern aluminum handles
- Each cabinet has 2 drawers and 4 doors
- Backsplash of 3.125" to protect your walls
- Exclusive antimicrobial high-pressure laminate
- Soft-close hinges and adjustable interior shelves
- Chip-resistant edges can handle bumps and bangs without degrading
- Medical sink that is ideal for regularly disinfecting your hands.
- Overall Dimensions: 35.5" H x 48" W x 19" D



#### Cabinet With Left Sink

# ADIME902-BASE-48-LS-GRY



#### Cabinet With Right Sink

# ADIME902-BASE-48-RS-GRY



**Stainless Steel Medical Sink**  
7.87" x 16.9" x 16.9"  
**Faucet Style:** Gooseneck



#### Cabinet With No Sink

# ADIME902-BASE-48-NS-GRY

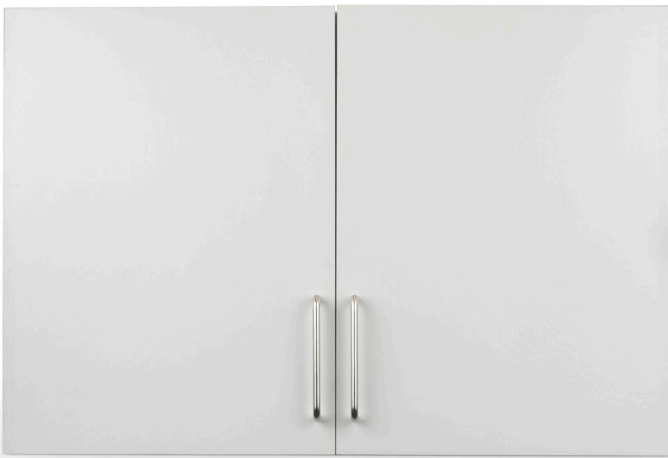
## WALL CABINET

36" or 48" Wide

- Easy-to-clean surfaces
- Modern aluminum handles
- Exclusive antimicrobial high-pressure laminate
- Chip-resistant edges can handle bumps and bangs without degrading
- Each cabinet has 2 soft-close hinged doors and 2 adjustable shelves
- 36" Overall Dimensions: 24" H X 36" W X 12" D
- 48" Overall Dimensions: 24" H X 48" W X 12" D

**36-Inch**

# ADIME902-WALL-36-GRY



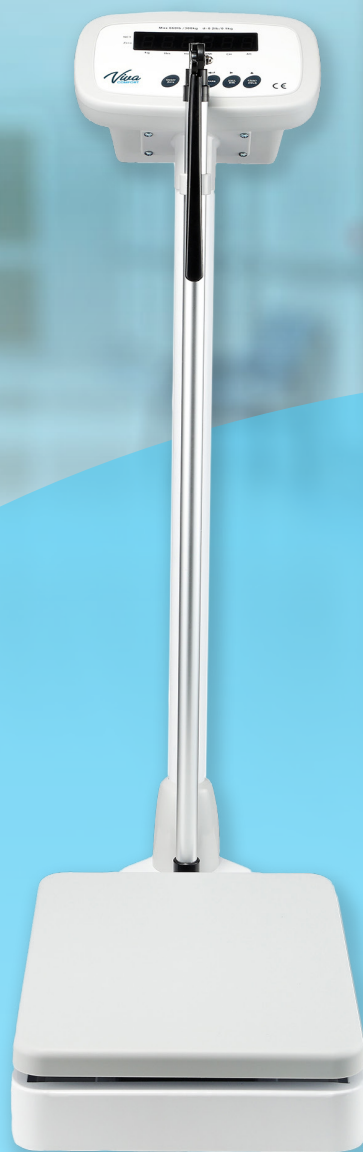
**4 Internal Shelves**



**48-Inch**

# ADIME902-WALL-48-GRY

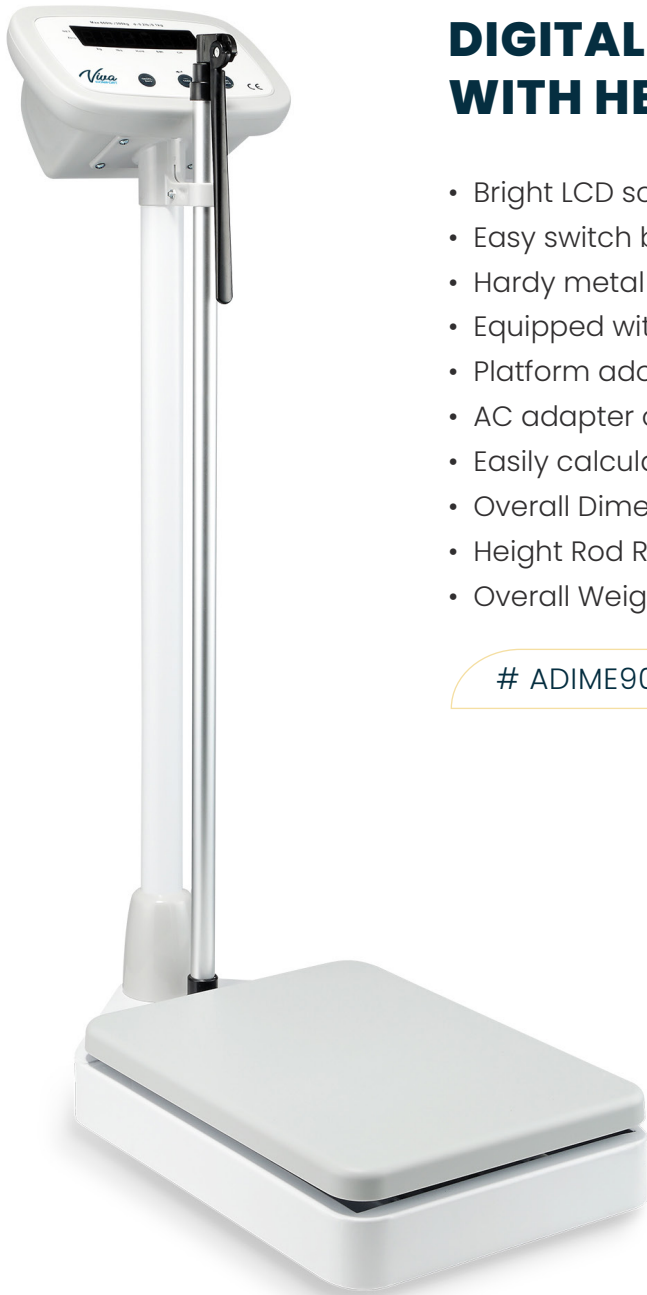
# MEDICAL SCALES



## DIGITAL PHYSICIAN SCALE WITH HEIGHT ROD

- Bright LCD screen
- Easy switch between lbs and kgs
- Hardy metal body to ensure durability
- Equipped with lightweight height rod
- Platform adorned with an anti-slip safety mat
- AC adapter or internal 6V rechargeable batteries
- Easily calculates patient's BMI
- Overall Dimensions: 37" H X 12" W X 20" D
- Height Rod Range: 31.5" to 82.6"
- Overall Weight: 20 lb

# ADIME904-01





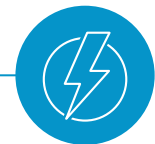
Digital display shows weight (lbs and kg) and BMI



Lightweight height rod is effortless to maneuver



Hardy metal body ensures its longevity



Functions with AC adapter or internal 6V rechargeable batteries



Platform adorned with an anti-slip safety mat

## PHYSICIAN BEAM SCALE WITH HEIGHT ROD

- Hardy metal body to ensure durability
- Equipped with lightweight height rod
- Platform adorned with an anti-slip safety mat
- Dual beams with two easy manual sliding weights
- Two easy gliding wheels to facilitate maneuvers
- Overall Dimensions: 58" H X 14" W X 19" D
- Height Rod Range: 23.6" to 83.8"
- Overall Weight: 35 lb

# ADIME904-02





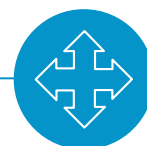
Dual beams with two easy manual sliding weights



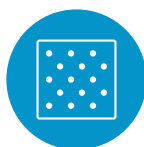
Lightweight height rod is effortless to maneuver



Hardy metal body ensures its longevity



Two easy gliding wheels to maneuver the scale wherever needed



Platform adorned with an anti-slip safety mat

## MEDICAL WHEELCHAIR SCALE

- Bright LCD screen
- Easy switch between lbs and kgs
- Hardy metal body to ensure durability
- Handle and wheels make it easy to maneuver
- Adorned with non-slip adjustable leveling feet
- Built-in ramp on both sides allows for easy access
- Overall Dimensions: 32.5" H X 40" W X 48" L
- Overall Weight: 143 lb

# ADIME904-03







**Accessible**

With the included handle and wheels, you can maneuver the scale wherever needed



**Durable**

Hardy metal body ensures its longevity from continual wear and tear



**Stable**

Non-slip adjustable leveling feet guarantee a stable platform



**Accommodating**

Built-in ramp on both sides allows straightforward access to the scale

**Display**

Bright LCD screen digitally shows your patients' weight in lbs. or kgs.



## STAINLESS STEEL VETERINARY SCALE

- Convenient tare function
- Digital display for fast weight readings
- High-quality stainless steel construction
- Integrated wheels allow for seamless mobility
- Spacious and flat platform design for easy weighing
- Shows weight for up to 10 seconds after removing the animal
- Equipped with accurate load cells and advanced weighing technology
- Suitable for various animals, from pets like cats, dogs, rabbits, and smaller livestock
- Overall Dimensions: 2" H X 20" W X 44" L
- Overall Weight: 44 lb



# ADIME904-04





**Precision**

Accurate load cells, advanced weighing technology and easy-to-read digital display



**Convenient**

Tare function allows the deduction of bedding or container weight



**Power Saver**

Enabled with an auto sleep or power down function to save on battery life



**Optional**

Interface can be mounted with the bracket, or it can be left unattached



**Robust**

High-quality stainless steel construction ensures resilience and longevity



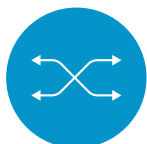
**Effortless**

Spacious platform for easy loading of animals without strain or injury



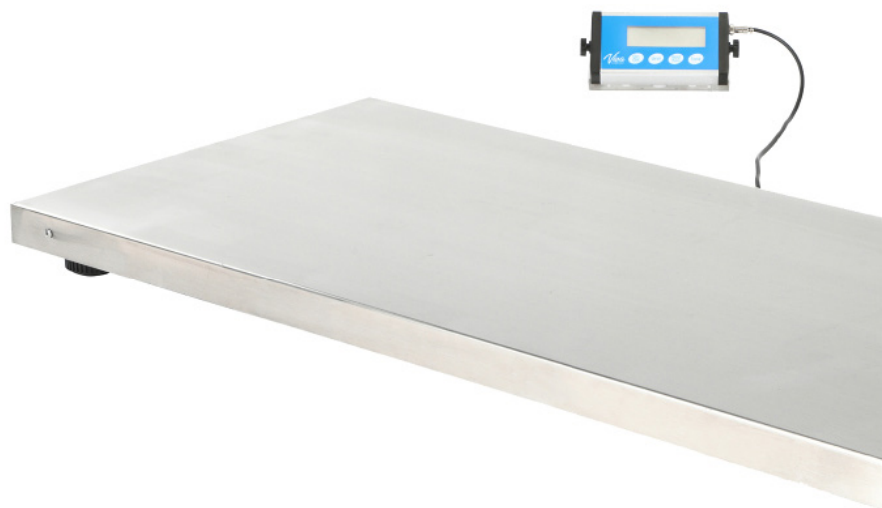
**Transportable**

Lightweight and outfitted with a handle, making it simple to move



**Accommodating**

Suitable for various animals, from pets like cats, dogs, and rabbits to smaller livestock.



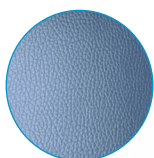
34

# EXAM STOOLS



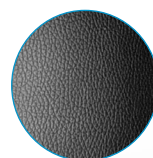
## PNEUMATIC HEIGHT ADJUSTABLE LUXE EXAM STOOL

- Seat height can be quickly altered
- Thick upholstery padding gives added comfort
- 5-star leg design provides stability when moving
- Smooth rolling wheels can handle carpeting and hard floors
- Overall Dimensions: 19" - 24.6" H X 23" W X 16" D
- Overall Weight: 12 lb



*MIDNIGHT EXPRESS*

ADI910-01-BLU



*BLACK*

ADI910-01-BLK

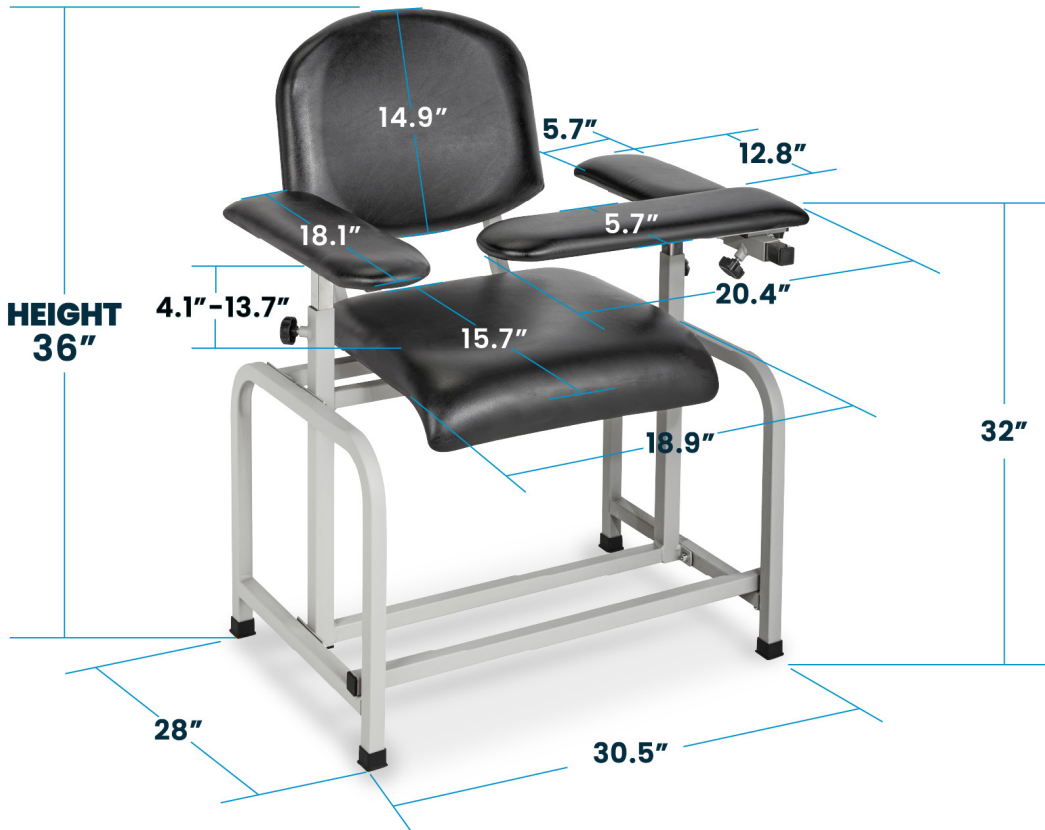
36

# BLOOD DRAWING CHAIRS

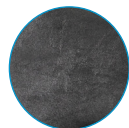


# PADDED BLOOD DRAWING CHAIR

- Padded for optimal patient comfort
- Armrest that can lock into the correct position
- Easy-to-clean antimicrobial polyurethane leather
- Welded powder-coated frame with reinforced stress points
- Overall Dimensions: 36" H X 30.5" W X 28" D
- Overall Weight: 35 lb



**ARMREST  
HEIGHT ADJUSTMENT:**  
24.4" - 34.2"



**BLACK**

# ADI997-01-BLK



**MIDNIGHT EXPRESS**

# ADI997-01-BLU



# BARIATRIC PADDED BLOOD DRAWING CHAIR

- Securely holds up to 500 lb
- Padded for optimal patient comfort
- Armrests that can lock into the correct position
- Easy-to-clean antimicrobial polyurethane leather
- Welded powder-coated frame with reinforced stress points
- Overall Dimensions: 40" H X 35" W X 30" D
- Overall Weight: 48.5 lb



**ARMREST  
HEIGHT ADJUSTMENT:**  
27.8" - 38.5"



*MIDNIGHT EXPRESS*

# ADI997-01-BLU-HD



*BLACK*

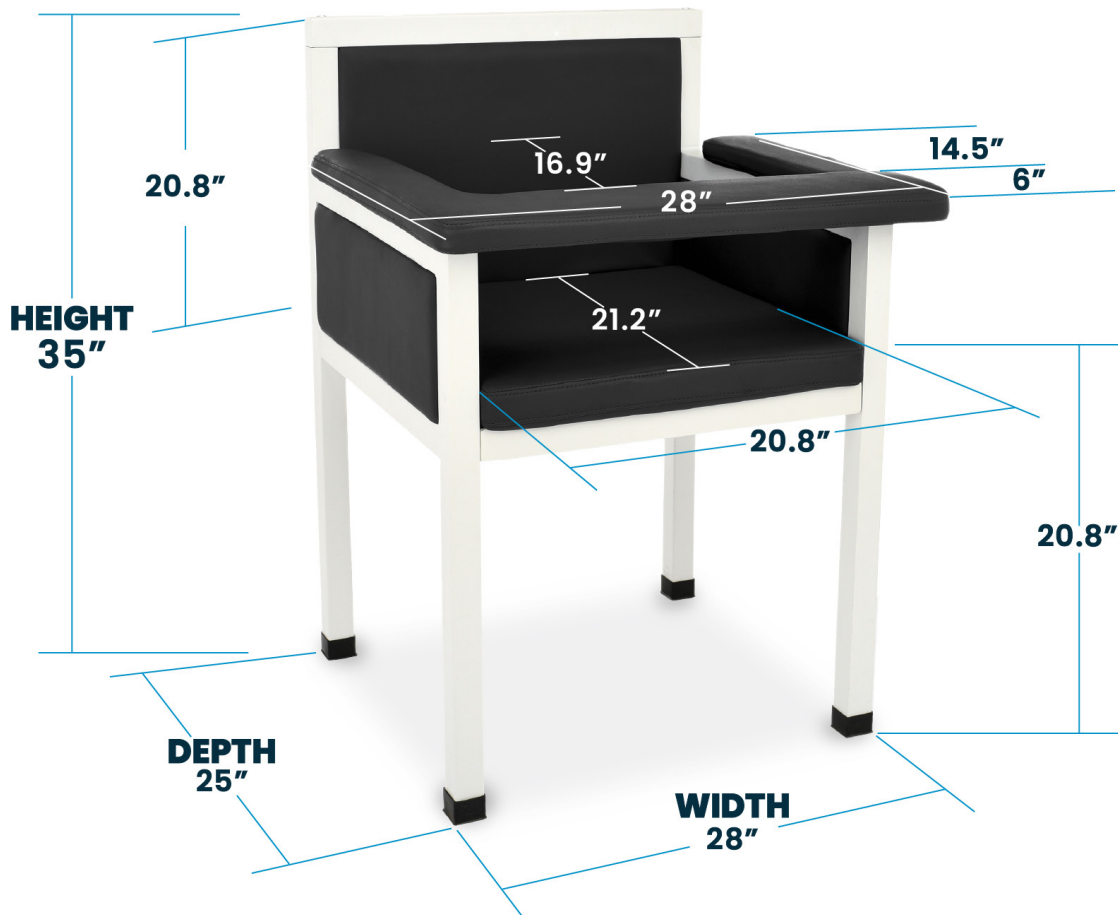
# ADI997-01-BLK-HD





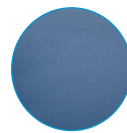
# LUXE UPHOLSTERED BLOOD DRAWING CHAIR

- Padded for optimal patient comfort
- Armrest that can lock into the correct position
- Easy-to-clean antimicrobial polyurethane leather
- Welded powder-coated frame with reinforced stress points
- Overall Dimensions: 35" H X 28" W X 25" D
- Overall Weight: 54 lb



**BLACK**

# ADI997-02-BLK



**MIDNIGHT EXPRESS**

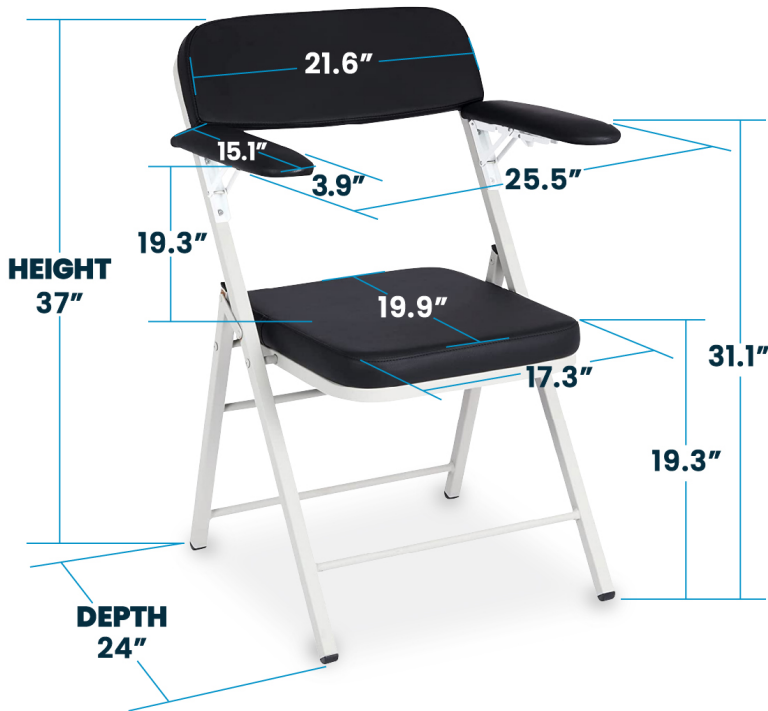
# ADI997-02-BLU



# FOLDING PADDED BLOOD DRAWING CHAIR

# ADI997-03-BLK

- Can be effortlessly transported
- Foldable design to facilitate storage
- Easy-to-clean antimicrobial upholstery
- Seat designed with a thick cushion for patient comfort
- Equipped with nylon glides on the legs to avoid scratching your floors
- Overall Dimensions: 37" H X 25.5" W X 24" D
- Overall Weight: 28 lb



EASILY FOLDABLE



# EXAM ROOM PACKAGES



**CUSTOMIZE AN EXAM ROOM PACKAGE THAT BEST FITS YOUR NEEDS WITH THE BELOW PRODUCTS:**

Choose your **EXAM TABLE**



Black



Mid. Express

**Slim-Line Exam Table**



Black



Mid. Express

**Grande Steel Exam Table**



Black



Mid. Express

**Noble-Line Adjustable Exam Table with Paper Dispenser**

Choose your **EXAM STOOLS**



Black



Mid. Express

**Pneumatic Height Adjustable Luxe Exam Stool**

Choose your **MEDICAL SCALE**



**Digital Physician Scale with Height Rod**



**Physician Beam Scale with Height Rod**

Choose your **WALL CABINET**



**36-Inch Wall Cabinet**



**48-Inch Wall Cabinet**

Choose your **BASE CABINET**



- Left Sink
- Right Sink
- No Sink

**36-Inch Base Cabinet**



- Left Sink
- Right Sink
- No Sink

**48-Inch Base Cabinet**



- Grande Steel Exam Table – Black Mattress
- Luxe Exam Stool – Black Upholstery
- Digital Physician Scale
- 48 Inch Wall Cabinet
- 48 Inch Base Cabinet
- Soap & Hand Sanitizer Dispenser
- Acrylic Gloves Dispenser
- Multifold Paper Towel Dispenser

- Slim-Line Exam Table – Midnight Express Mattress
- Luxe Exam Stool – Midnight Express Upholstery
- Physician Beam Scale
- 48 Inch Wall Cabinet
- 48 Inch Base Cabinet
- Soap & Hand Sanitizer Dispenser
- Acrylic Gloves Dispenser
- Multifold Paper Towel Dispenser



**WE OFFER ADDITIONAL ACCESSORIES TO COMPLEMENT YOUR PACKAGE:**



**Soap & Hand Sanitizer Dispenser**



**Acrylic Glove Dispenser**



**C-Fold/Multifold Paper Towel Dispenser**



# CONTACT INFORMATION



**Monday - Thursday: 9:00am - 5:30pm EST / Friday: 9:00am - 3:00pm EST**



**800.292.6277**



**cs@vivacomfort.com**



Scan Our QR Code To  
Check Out Our Website

**© 2023 Viva Comfort. All Rights Reserved.**

Manufacturer reserves its right to change technical specification and configuration of the equipment in the course of its further development.