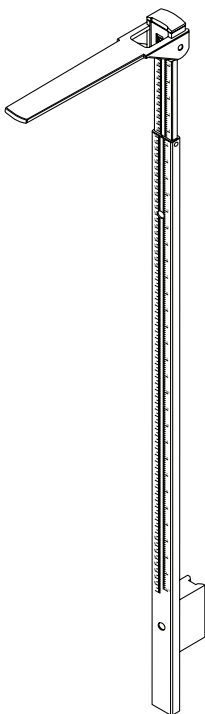


.....

# ALUMINUM WALL-MOUNTED HEIGHT MEASURING ROD

.....



## **USER GUIDE**

ADIME907-02



# Thank you for your purchase.



**Viva Comfort maintains a strong practice of ongoing development of products and commercial research.**



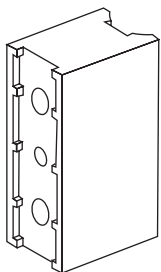
**We recognize that starting and maintaining a medical practice is expensive. We'll help make the process cost-effective and elegant. Additionally, our team of specialists will ensure everything you need works as efficiently as possible, so you can effectively treat your clients.**

# Table of Contents

- 4 Parts List
- 5 Hardware List
- 6 Tools Needed (But Not Included)
- 7 Mounting Instructions For Mounting Bracket
- 11 Mounting Instructions Without Mounting Bracket
- 15 Safety Instructions
- 16 How To Use The Height Rod
- 17 Warranty
- 18 Notes

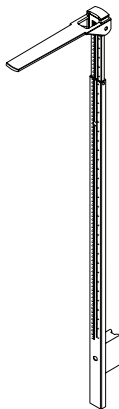
# Parts List

**A**



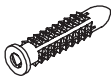
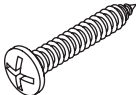

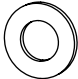

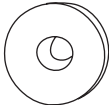

Mounting Bracket

**B**

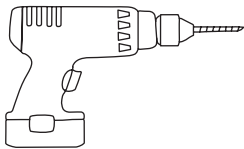
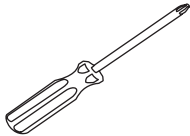
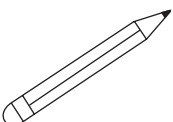
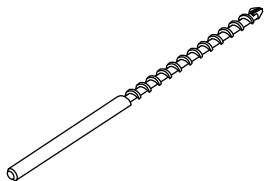
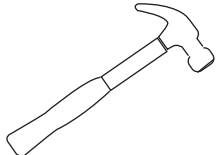
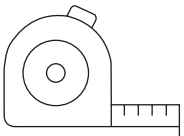


Height Rod

# Hardware List

<p><b>1</b></p>  <p>Plastic Anchors (x4)</p>	<p><b>2</b></p>  <p>Screw 1 (M4*45mm) (x2) (For Mounting Bracket)</p>
<p><b>3</b></p>  <p>Screw 2 (M6*12mm) (For Mounting Bracket)</p>	<p><b>4</b></p>  <p>Washer (x4)</p>
<p><b>5</b></p>  <p>Allen Key</p>	<p><b>6</b></p>  <p>Expansion Tube (x2)</p>
<p><b>7</b></p>  <p>Screw 3 (M4*20mm) (x2)</p>	

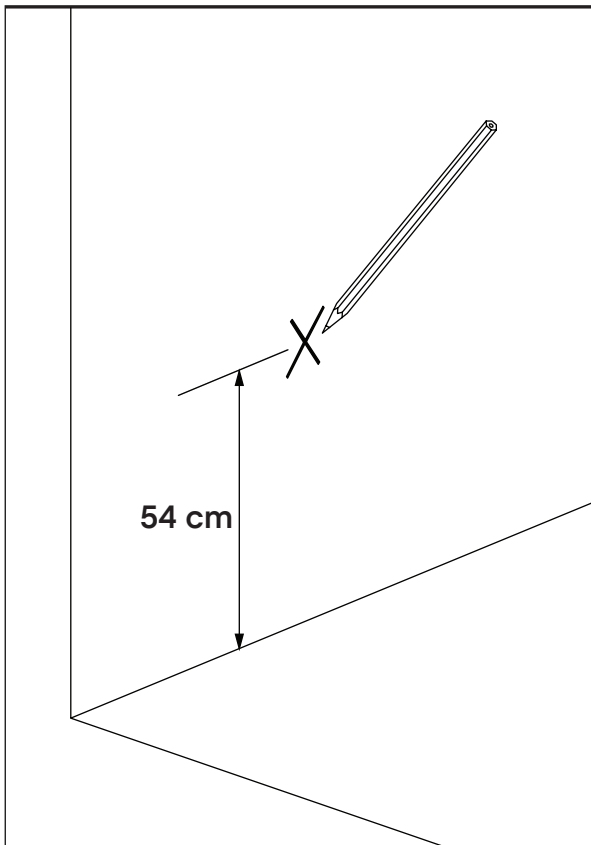
# Tools Needed (But Not Included)

 <p>Drill</p>	 <p>Phillips Head Screwdriver</p>
 <p>Pencil</p>	 <p>Drill bit</p>
 <p>Hammer</p>	 <p>Tape Measure</p>

# Mounting Instructions For Mounting Bracket

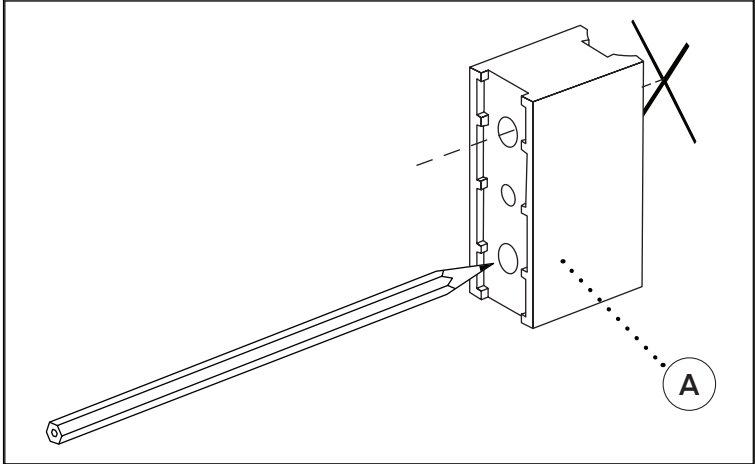
## Step 1:

- A. Measure the desired height of 54 cm (21.26") from the ground and mark this point with a pencil.

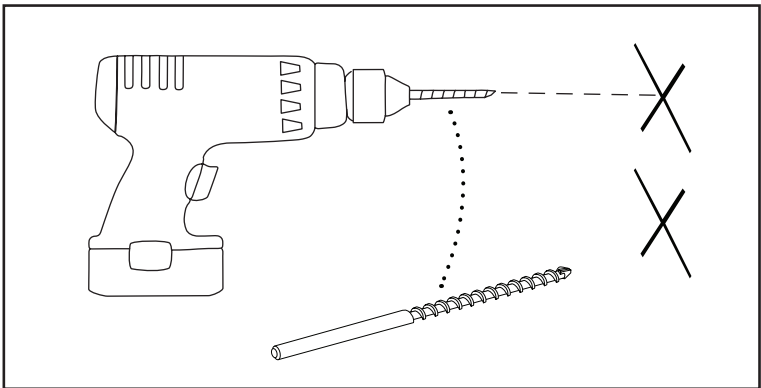


**Step 2:**

- A.** Locate the Mounting Bracket (A), align it with the initial mark you made, and then mark the position for the second hole using the second hole on the bracket as a guide.



- B.** Using a 6 mm drill bit, drill both marked holes.

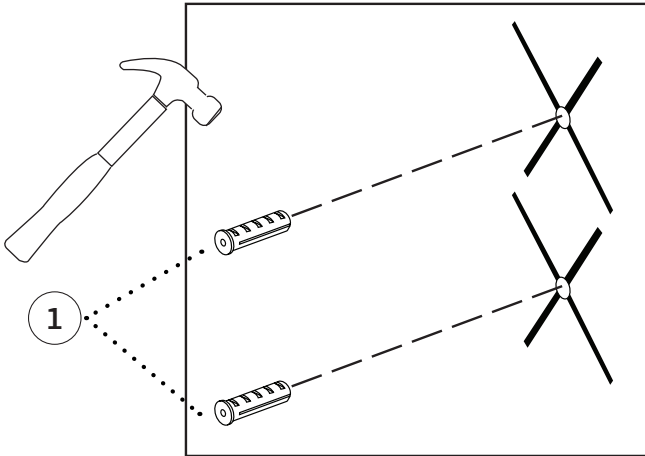




### Step 3:

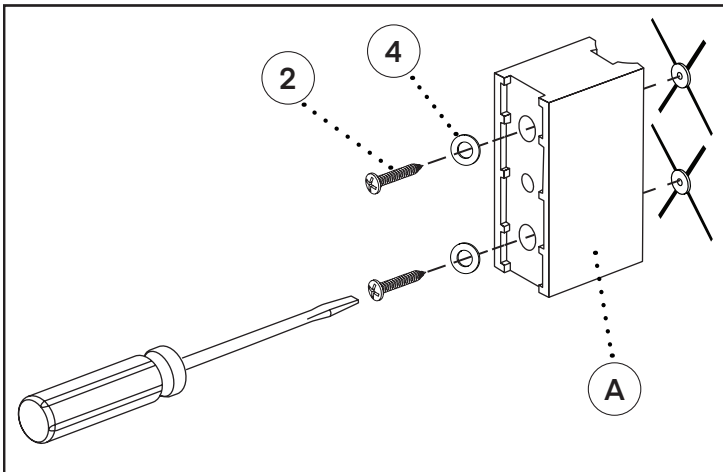
**A.** Insert both Plastic Anchors (1) into the drilled holes.

**a.** You may need to tap them in with a hammer gently.



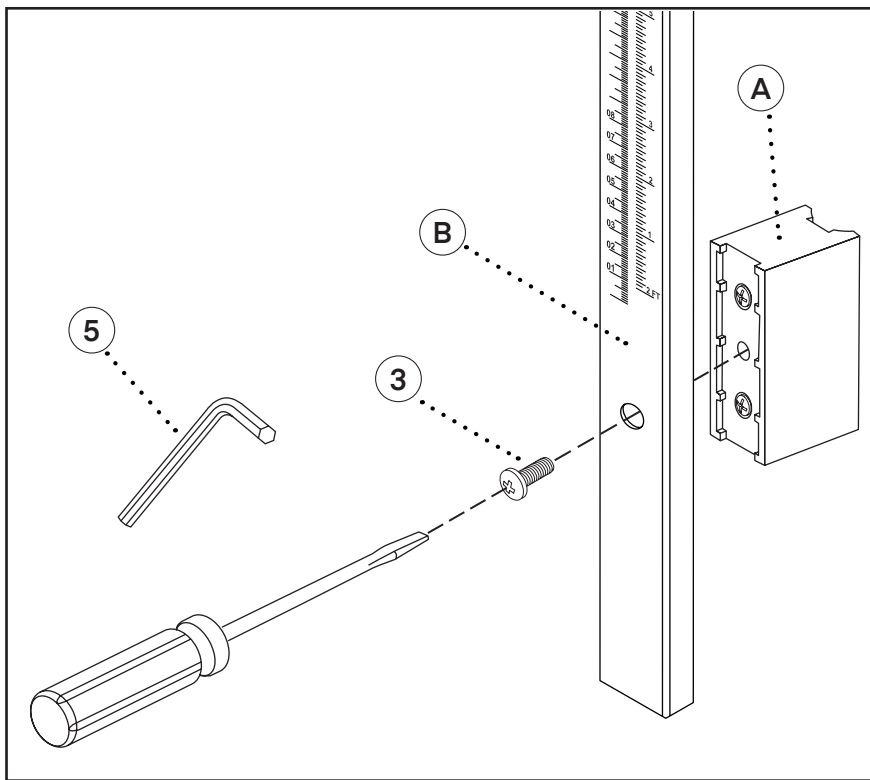
**B.** Thread two Washers (4) onto two Screw 1's (2).

**C.** Screw the Mounting Bracket (A) to the wall using two Screw 1's (2) and a Philips head screwdriver.



#### Step 4:

- A. Locate and line up the Height Rod (B) to the Mounting Bracket (A).
- B. Insert a Screw 2 (3) through the hole in the Height Rod (B), as pictured below, and into the middle hole on the Mounting Bracket (A) using the included Allen Key (5) or Philips head screwdriver.

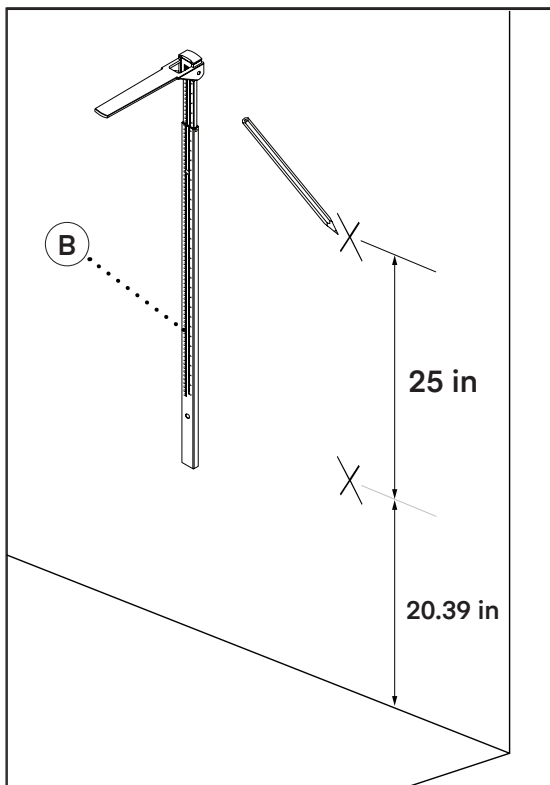


# Mounting Instructions

## Without Mounting Bracket

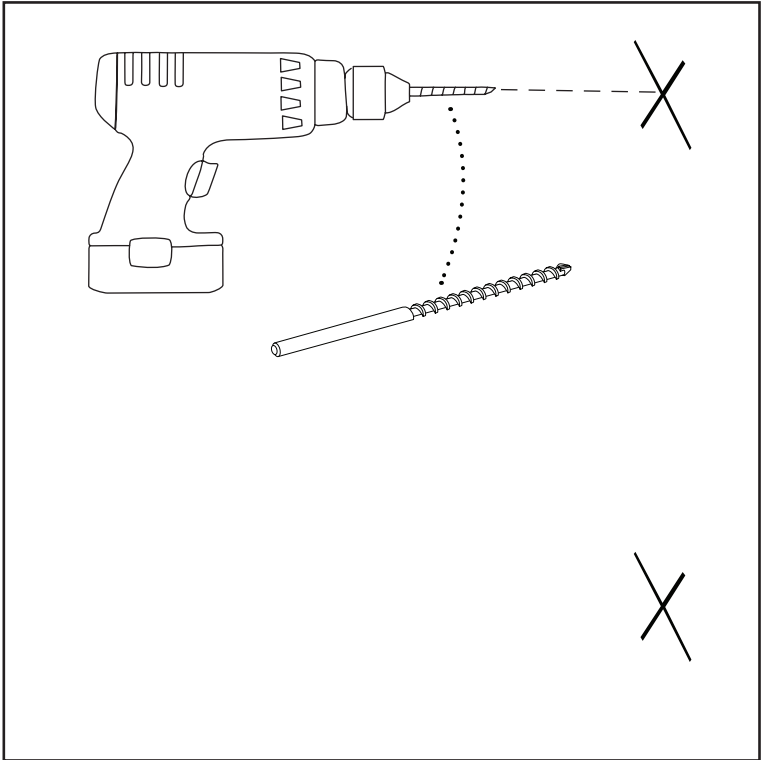
### Step 1:

- A. Decide where your Height Rod (B) will be mounted.
- B. Measure 20.39" (51.8 cm) from the floor up and mark it on the wall.
- C. Mark the mounting holes using the included drilling template or the Height Rod (B).
  - a. The distance between the two mounting holes is 25".



**Step 2:**

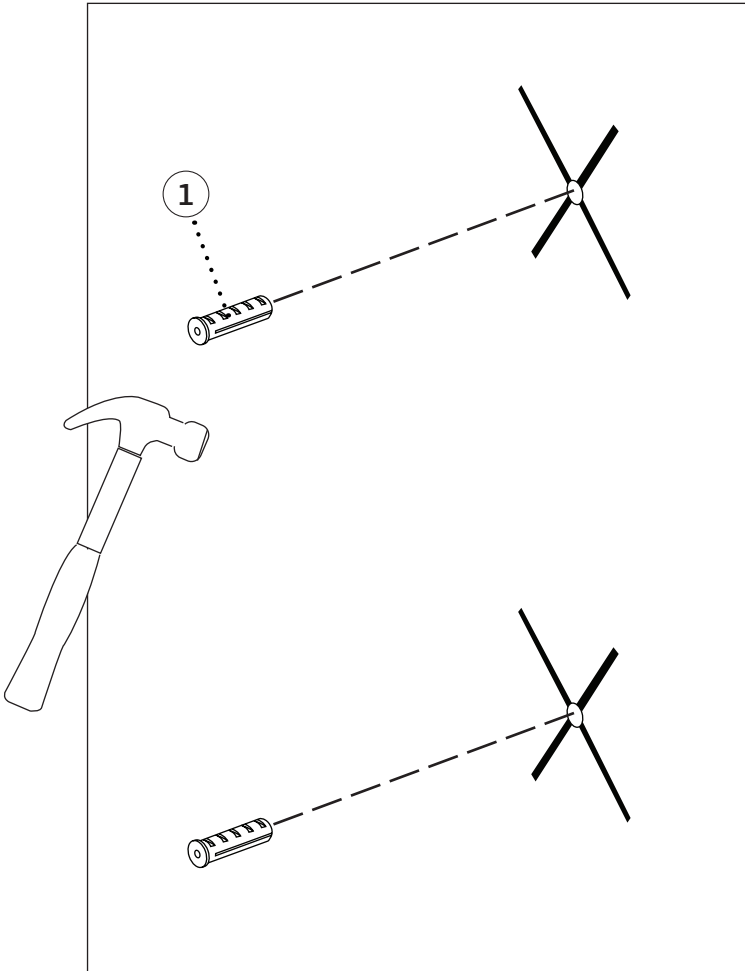
**A.** Using a 6 mm drill bit, drill both marked holes.



**Step 3:**

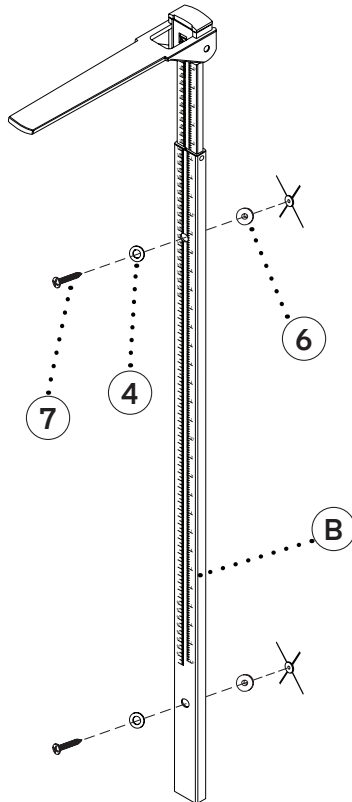
**A.** Insert both Plastic Anchors (1) into the drilled holes.

**a.** You may need to tap them in with a hammer gently.



**Step 4:**

- A.** Utilizing two people, have someone hold the Height Rod (B) up against the two predrilled holes.
- B.** Place two Expansion Tubes (6), one in front of each mounting hole.
  - a.** Place the Height Rod (B) over the Expansion Tubes (6).
- C.** Thread two Washers (4) onto two Screw 3's (7).
- D.** Insert two Screw 3's (7) through each hole on the Height Rod (B), through the Expansion Tubes (6), and secure them in place with a Philips head screwdriver.



# Safety Instructions

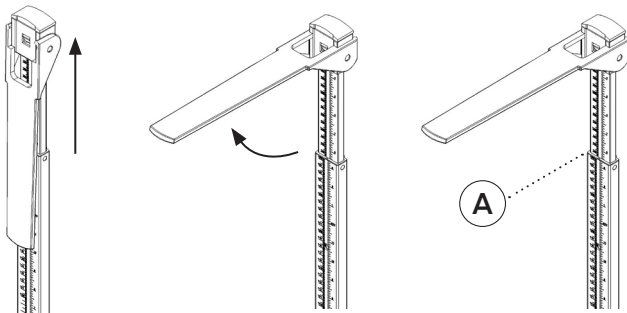
Before utilizing the measuring rod, it is imperative to familiarize yourself with the following safety guidelines:

- Adhere to the provided operating instructions.
- Use the supplied assembly parts and hardware.
- During assembly, ensure screws are adequately tightened, and the rod is assembled correctly (refer to the assembly instructions).
- After measuring, fold down the measuring slide to prevent any risk of injury.

# How To Use the Height Rod

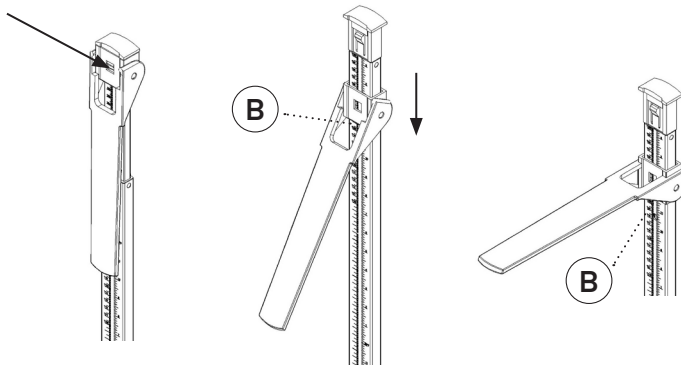
## Measuring Over 51.57" (131 cm):

1. Extend the rod to the desired height.
2. Position the plate horizontally.
3. Read the measured result at point (A), as pictured below.



## Measuring Under 51.57" (131 cm):

1. Fold the plate downward and press the button, as pictured in the first figure below.
2. While keeping the button pressed, lower the plate.
3. Read the measured result at point (B), as pictured below.



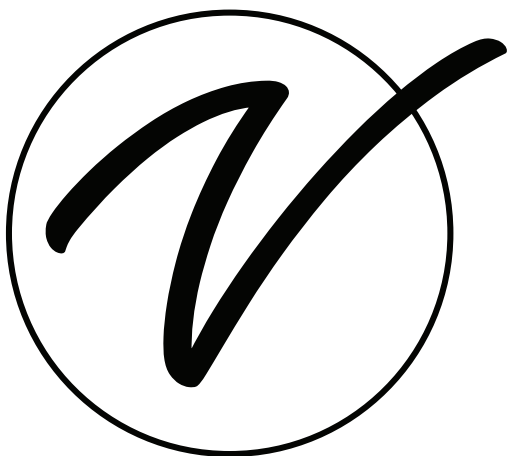


# Warranty

1. Viva Comfort (the "Company" or "Tiger Companies") warrants to the purchaser that the product will be free from defects in workmanship and materials for a period of 1 year from the date of purchase. The warranty period is not extended if we repair, replace, exchange, or provide a refund for the product (as determined in our sole discretion). We may change the availability of this limited warranty at our discretion, but any changes will not be retroactive.
2. These warranties are not assignable or transferable to any other person, including, without limitation, any subsequent owner or other transferee of the product.
3. This Warranty does not apply to: (a) damage caused by misuse, tampering, abuse, neglect, or accident; (b) damage caused by improper installation, modification, or service; (c) alteration of the serial number; or (d) use that violates the instructions furnished by the Company will void this warranty.
4. The sole responsibility of the Company shall be limited to (a) the repair or replacement (in its sole discretion) of any component of the product which fails to conform to this; (b) a refund the purchase price of such product (in its sole discretion), at no cost to the purchaser for the period of the warranty, or (c) an exchange for a similar product, comparable in function and price.
5. Contact the Company directly at 1-(800)-805-1790 to obtain service under this warranty. If it becomes applicable to send a defective product to the Company, a Return Authorization Number must first be obtained from the Company. In order to obtain service under this warranty, purchaser may be required to provide the Company with the following items (a) proof of purchase, (b) photographs and or videos (of the damage, and (c) a written testimonial describing the defect.
6. Products shipped without prior Return Authorization and Return Authorization Number may not be accepted, and the Company will not be responsible for their disposition and/or cost of return to the owner.
7. The Company will not assume any responsibility for any loss or damage incurred in shipping and or delivery.
8. The product(s) must be returned within 14 calendar days of receiving the return authorization from the Company and must include the original proof of purchase for the warranty to be honored.
9. Any implied warranties that the purchaser may have are limited to the duration of the warranties described above. There are no further warranties that extend or apply beyond the face hereof, and the Company expressly disclaims and excludes any and all warranties of merchantability or fitness for a particular purpose. Some states do not allow limitations on how long an implied warranty lasts, so the above limitation may not apply to you.
10. THE REMEDIES DESCRIBED ABOVE ARE YOUR SOLE AND EXCLUSIVE REMEDIES AND THE COMPANY'S ENTIRE LIABILITY FOR ANY BREACH OF THIS LIMITED WARRANTY. OUR LIABILITY SHALL UNDER NO CIRCUMSTANCES EXCEED THE ACTUAL AMOUNT PAID BY YOU FOR THE DEFECTIVE PRODUCT, NOR SHALL WE UNDER ANY CIRCUMSTANCES BE LIABLE FOR ANY CONSEQUENTIAL, INCIDENTAL, SPECIAL OR PUNITIVE DAMAGES OR LOSSES, WHETHER DIRECT OR INDIRECT. SOME STATES DO NOT ALLOW THE EXCLUSION OR LIMITATIONS OF INCIDENTAL OR CONSEQUENTIAL DAMAGES, SO THE LIMITATION MAY NOT APPLY TO YOU.
11. This warranty gives you specific legal rights, and you may also have additional rights which vary from state to state.







**ADIME907-02**

© 2024 Viva Comfort

**vivacomfort.com**